

# II-VI INFRARED

[www.iiviinfrared.com](http://www.iiviinfrared.com)

## CO<sub>2</sub> & FIBER LASER NOZZLES AND ACCESSORIES



AMADA®



TOLL FREE 888.558.1504 (USA and Canada)  
TEL. 724.352.1504 FAX. 724.352.4980



## About II-VI INFRARED

In 1971, II-VI Incorporated began by exclusively producing the highest-quality cadmium telluride (CdTe) material available for manufacturing high-power industrial CO<sub>2</sub> laser optics. Today, we have diversified into producing zinc selenide (ZnSe) material, as well as into numerous business units including laser tools for materials processing (HIGHYAG); near-infrared optics, YAG components, and telecommunications components (VLOC); fiber optics, projection and display optics, DPSS laser, crystal materials, and other photonics products (Photop); defense and aerospace optics (Exotic Electro-Optics); tellurium and selenium products (PRM); thermoelectric cooling devices (Marlow Industries); silicon carbide (II-VI WBG); and advanced materials development (II-VI AMDC). Given this diversity of II-VI Incorporated's business units, we have thus christened our original IR materials and optics business unit II-VI Infrared.

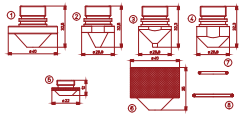
As II-VI Incorporated continues to grow, II-VI Infrared focuses on the company's original, industry-leading products: infrared and CO<sub>2</sub> laser optics and materials. And thanks to decades of innovation in zinc selenide (ZnSe) and zinc sulfide (ZnS) materials processing, thin-film coating, precision diamond turning, and finished optics fabrication, II-VI Infrared is the world leader in CO<sub>2</sub> laser optics, delivering an unbeatable combination of innovation, quality, and expertise. II-VI Infrared also delivers the largest vertically integrated CO<sub>2</sub> laser optics manufacturing process -- from raw materials to finished coated products -- in the world.

An optics foundry to CO<sub>2</sub> laser original equipment manufacturers (OEMs) the world over, consistently building optics to spec with consistent performance and quality, II-VI Infrared's products range from replacement CO<sub>2</sub> laser optics and nozzles to lenses, partial reflectors, windows, beamsplitters, mirrors, beam expanders, reflective phase retarders, scanning-laser system optics, diamond-turned custom optics, IR optical materials (ZnSe, ZnS, CVD Diamond), and more. Our products and reputation make us the number-one supplier to OEMs of CO<sub>2</sub> laser systems worldwide, while our capabilities are without rival in the industry.

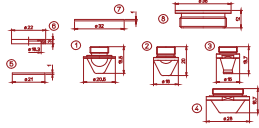
Our diamond-turning facility is among the largest and most advanced in the world, offering services such as flycutting and multiple-axis turning, as well as fast and slow tool servos for custom optics. Single-point diamond-turning is used in finishing transmissive optics and mirrors in a variety of metals and IR materials.

Major investments in computer design programs, thin film evaporation equipment, clean rooms, and QA testing facilities enable us to offer a broad range of IR thin-film coatings. II-VI Infrared is known for designing and producing consistently low-absorption coatings for high-power CO<sub>2</sub> laser optics. Additionally, our talented and experienced engineering team using optical design software and CAD systems, designs and builds standard and custom optics as well as specialized mounts, components, and electro-optic assemblies.

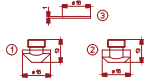
Our quality assurance program includes comprehensive testing, documentation, and statistical analysis to ensure that each optic and component performs to customer requirements.



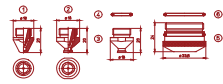
3-4



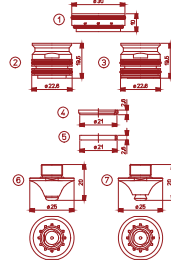
9-10



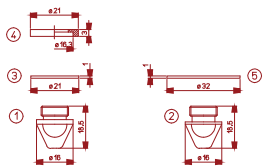
5-6



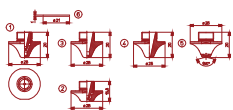
11-12



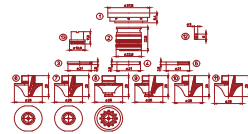
15-16



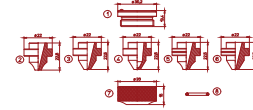
7-8



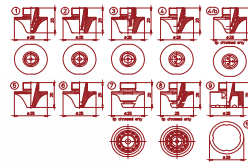
13-14



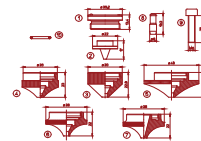
17-18



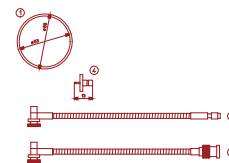
21-22



19-20

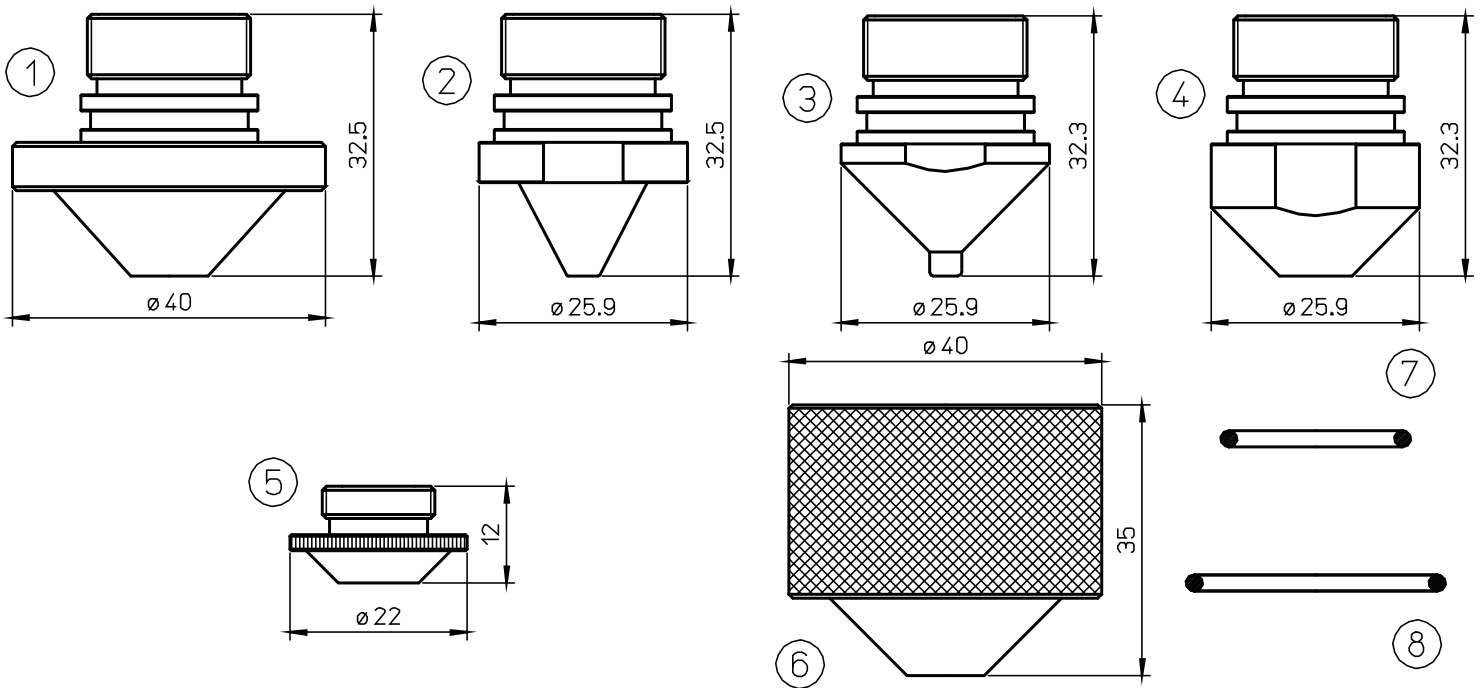


23-24



25-26





TOLL FREE 888.558.1504 (USA and Canada) T. 724.352.1504 F. 724.352.4980 WWW.II-VIINFRARED.COM

3 All original equipment manufacturer's names, drawings, colors, trademarks and part numbers are used for identification purposes only and we are in no way implying that any of our products are original equipment parts. All parts advertised for sale in this catalog are made for and/or by II-VI Incorporated.

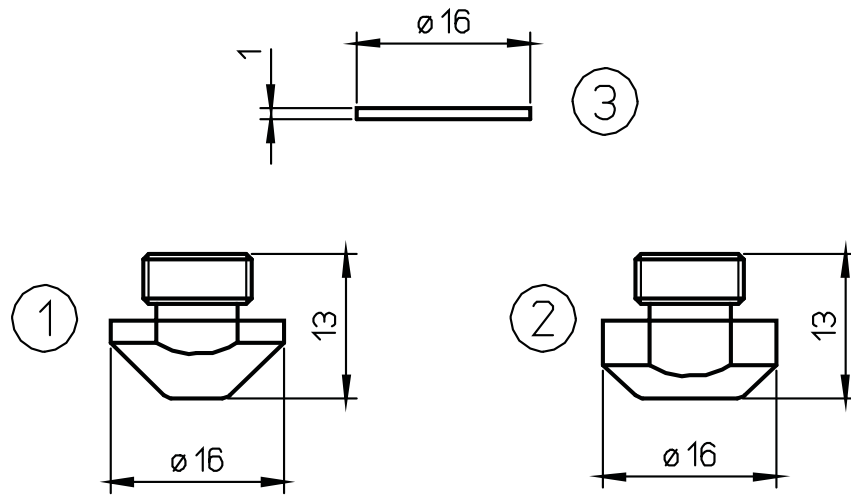


POS	II-VI P/N	OEM P/N	DESCRIPTION
1	L896X	71101000	AMADA® NOZZLE CLEAN CUT Ø 1.5
	L897X	71102000	AMADA® NOZZLE CLEAN CUT Ø 1.75
	L898X	71101999	AMADA® NOZZLE CLEAN CUT Ø 2.0
	L899X	71101999	AMADA® NOZZLE CLEAN CUT Ø 2.5
2	L81X	6506892	AMADA® NOZZLE Ø 1.3 CP
	L92X	6506892	AMADA® NOZZLE Ø 1.5 CP
	L93X	6506892	AMADA® NOZZLE Ø 1.8 CP
	L39X	74712001-6506892	AMADA® NOZZLE Ø 2.0 CP
3	L63X	71101901	AMADA® NOZZLE Ø 1.3 CP
	L91X	71101902	AMADA® NOZZLE Ø 1.5 CP
	L75X	71101901	AMADA® NOZZLE Ø 1.8 CP
	L29X	71101901-845735	AMADA® NOZZLE Ø 2.0 CP
	L809X		AMADA® NOZZLE Ø 2.5 CP
	L808X	71101901	AMADA® NOZZLE Ø 3.0 CP
4	L297X		AMADA® NOZZLE Ø 1.3 CP
	L298X	62094001-71102001	AMADA® NOZZLE Ø 1.5 CP
	L299X	62094001-71102001	AMADA® NOZZLE Ø 1.8 CP
	L300X	62094001-71102001	AMADA® NOZZLE Ø 2.0 CP
	L301X	62094002-71102005	AMADA® NOZZLE Ø 3.0 CP
5	L85X		AMADA® NOZZLE Ø 1.0 CP
	L94X		AMADA® NOZZLE Ø 1.25 CP
	L95X		AMADA® NOZZLE Ø 1.5 CP
	L96X		AMADA® NOZZLE Ø 1.75 CP
	L38X	74718816-8249301	AMADA® NOZZLE Ø 2.0 CP
6	L30X	71101905-841143B	AMADA® NOZZLE OUTER CP
7	AL90	S-20	AMADA® O'RING FOR NOZZLE S-20 - 10 PCS
8	AL96	1AS-34	AMADA® O'RING FOR NOZZLE OUTER

CP = CHROME PLATED

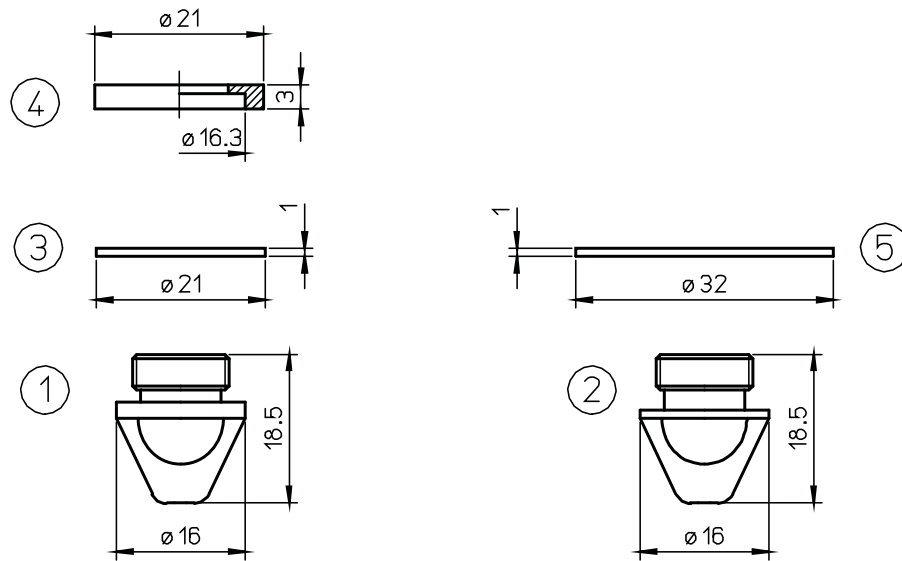
TOLL FREE 888.558.1504 (USA and Canada) T. 724.352.1504 F. 724.352.4980 WWW.IIVIINFRARED.COM

All original equipment manufacturer's names, drawings, colors, trademarks and part numbers are used for identification purposes only and we are in no way implying that any of our products are original equipment parts. All parts advertised for sale in this catalog are made for and/or by II-VI Incorporated.





POS	II-VI P/N	OEM P/N	DESCRIPTION
1	L171X	62094006	AMADA® NOZZLE Ø 1.0 CP
	L30171X	62094006	AMADA® NOZZLE Ø 1.0 CP
	L172X	62094006	AMADA® NOZZLE Ø 1.25 CP
	L30172X	62094006	AMADA® NOZZLE Ø 1.25 CP
	L173X	62094006-1507610	AMADA® NOZZLE Ø 1.5 CP
	L30173X	62094006-1507610	AMADA® NOZZLE Ø 1.5 CP
	L174X	62094006	AMADA® NOZZLE Ø 1.75 CP
	L30174X	62094006	AMADA® NOZZLE Ø 1.75 CP
	L27X	62094006-1507611	AMADA® NOZZLE Ø 2.0 CP
	L3027X	62094006-1507611	AMADA® NOZZLE Ø 2.0 CP
	L175X	62094006	AMADA® NOZZLE Ø 2.5 CP
	L30175X	62094006	AMADA® NOZZLE Ø 2.5 CP
	L28X	62094008-71102007	AMADA® NOZZLE Ø 3.0 CP
	L3028X	62094008-71102007	AMADA® NOZZLE Ø 3.0 CP
2	L750X	62094005	AMADA® NOZZLE Ø 1.0 CP
	L30750X	62094005	AMADA® NOZZLE Ø 1.0 CP
	L751X	62094005	AMADA® NOZZLE Ø 1.25 CP
	L30751X	62094005	AMADA® NOZZLE Ø 1.25 CP
	L752X	62094005-71341515	AMADA® NOZZLE Ø 1.5 CP
	L30752X	62094005-71341515	AMADA® NOZZLE Ø 1.5 CP
	L753X	62094005-71341515-1,75	AMADA® NOZZLE Ø 1.75 CP
	L30753X	62094005-71341515-1,75	AMADA® NOZZLE Ø 1.75 CP
	L754X	62094005-71102006	AMADA® NOZZLE Ø 2.0 CP
	L30754X	62094005-71102006	AMADA® NOZZLE Ø 2.0 CP
	L755X	62094005	AMADA® NOZZLE Ø 2.5 CP
	L30755X	62094005	AMADA® NOZZLE Ø 2.5 CP
	L756X	62094005-71341515-3,0	AMADA® NOZZLE Ø 3.0 CP
	L30756X	62094005-71341515-3,0	AMADA® NOZZLE Ø 3.0 CP
	3	AL107	62094006-ring



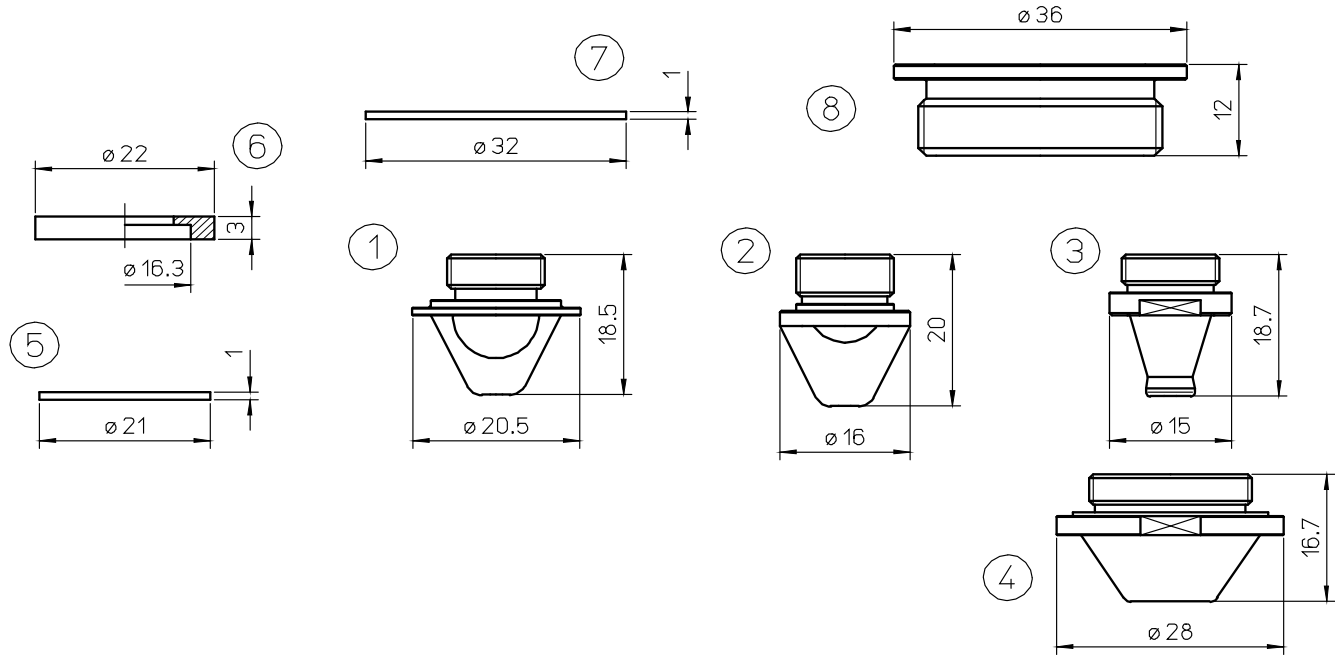




POS	II-VI P/N	OEM P/N	DESCRIPTION
1	L760X		AMADA® NOZZLE Ø 0.8 CP
	L30760X		AMADA® NOZZLE Ø 0.8 CP
	L134X	1664545U	AMADA® NOZZLE Ø 1.0 CP
	L30134X	1664545U	AMADA® NOZZLE Ø 1.0 CP
	L135X	1664545U	AMADA® NOZZLE Ø 1.25 CP
	L30135X	1664545U	AMADA® NOZZLE Ø 1.25 CP
	L86X	1664545U-M90115	AMADA® NOZZLE Ø 1.5 CP
	L3086X	1664545U	AMADA® NOZZLE Ø 1.5 CP
	L136X	1664545U	AMADA® NOZZLE Ø 1.75 CP
	L30136X	1664545U	AMADA® NOZZLE Ø 1.75 CP
	L137X	1664644U-71341610-M90114	AMADA® NOZZLE Ø 2.0 CP
	L30137X	1664644U-71341610	AMADA® NOZZLE Ø 2.0 CP
	L203X	1664545U	AMADA® NOZZLE Ø 2.5 CP
	L30203X	1664545U	AMADA® NOZZLE Ø 2.5 CP
	L138X	1664645U-71360142-M90113	AMADA® NOZZLE Ø 3.0 CP
	L30138X	1664645U-71360142	AMADA® NOZZLE Ø 3.0 CP
	L339X		AMADA® NOZZLE Ø 4.0 CP
	L30339X		AMADA® NOZZLE Ø 4.0 CP
L763X		AMADA® NOZZLE Ø 5.0 CP	
L30763X		AMADA® NOZZLE Ø 5.0 CP	
2	L192X		AMADA® NOZZLE Ø 1.0 CP
	L30192X		AMADA® NOZZLE Ø 1.0 CP
	L193X		AMADA® NOZZLE Ø 1.25 CP
	L30193X		AMADA® NOZZLE Ø 1.25 CP
	L194X		AMADA® NOZZLE Ø 1.5 CP
	L30194X		AMADA® NOZZLE Ø 1.5 CP
	L195X		AMADA® NOZZLE Ø 1.75 CP
	L30195X		AMADA® NOZZLE Ø 1.75 CP
	L196X		AMADA® NOZZLE Ø 2.0 CP
	L30196X		AMADA® NOZZLE Ø 2.0 CP
	L197X		AMADA® NOZZLE Ø 2.5 CP
	L30197X		AMADA® NOZZLE Ø 2.5 CP
	L198X		AMADA® NOZZLE Ø 3.0 CP
	L30198X		AMADA® NOZZLE Ø 3.0 CP
3	AL1005	71341614	AMADA® DISC HEAD PROTECTION Ø 21 PLASTIC
	AL122	71341614	AMADA® DISC HEAD PROTECTION Ø 21 VESPEL
4	AL123		AMADA® DISC HEAD PROTECTION Ø 22 CERAMIC
5	AL42		AMADA® DISK HEAD PROTECTION Ø 32 PLASTIC

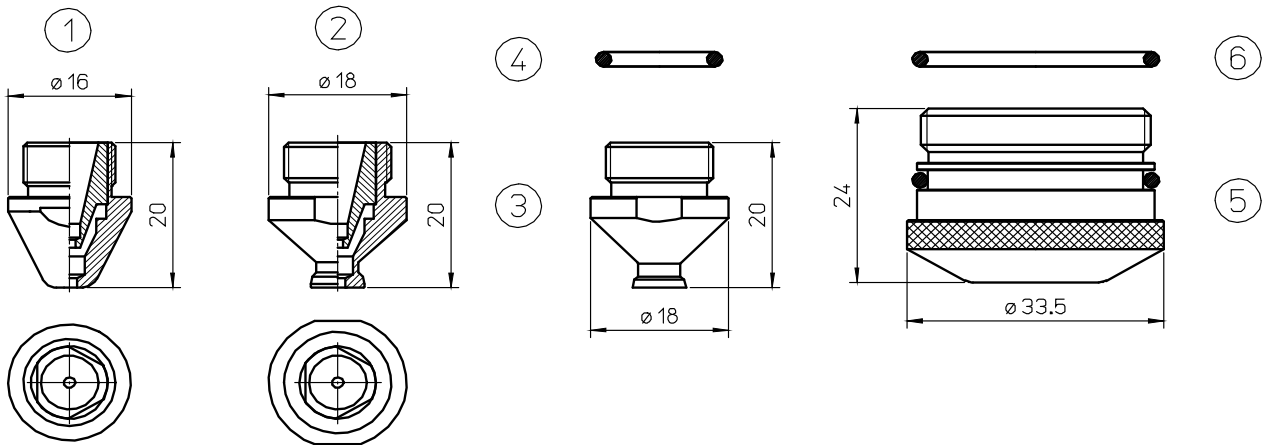
TOLL FREE 888.558.1504 (USA and Canada) T. 724.352.1504 F. 724.352.4980 WWW.IIVIINFRARED.COM

All original equipment manufacturer's names, drawings, colors, trademarks and part numbers are used for identification purposes only and we are in no way implying that any of our products are original equipment parts. All parts advertised for sale in this catalog are made for and/or by II-VI Incorporated.





POS	II-VI P/N	OEM P/N	DESCRIPTION
1	L1067X		AMADA® NOZZLE Ø 1.5 LARGE FLANGE
	L1066X		AMADA® NOZZLE Ø 2.0 LARGE FLANGE
	L1068X		AMADA® NOZZLE Ø 3.0 LARGE FLANGE
2	L1285X	71341770-1667110	AMADA® NOZZLE Ø 2.0
	L1287X		AMADA® NOZZLE Ø 3.0
3	L926X		AMADA® NOZZLE HP-X Ø 0.8 CP
	L927X		AMADA® NOZZLE HP-X Ø 1.0 CP
	L928X		AMADA® NOZZLE HP-X Ø 1.2 CP
	L933X	71398902 - 1034-00-5-1	AMADA® NOZZLE HP-X Ø 1.4 CP
	L929X		AMADA® NOZZLE HP-X Ø 1.5 CP
	L930X		AMADA® NOZZLE HP-X Ø 2.0 CP
	L931X		AMADA® NOZZLE HP-X Ø 2.5 CP
	L932X		AMADA® NOZZLE HP-X Ø 3.0 CP
4	AL220X		AMADA® NOZZLE OUTER HP-X CP
5	AL1005	71341614	AMADA® DISC HEAD PROTECTION Ø 21 PLASTIC
	AL122	71341614	AMADA® DISC HEAD PROTECTION Ø 21 VESPEL
6	AL123		AMADA® DISC HEAD PROTECTION Ø 22 CERAMIC
7	AL42		AMADA® DISK HEAD PROTECTION Ø 32 PLASTIC
8	AL387		AMADA® CERAMIC SPACER 36X12



TOLL FREE 888.558.1504 (USA and Canada) T. 724.352.1504 F. 724.352.4980 WWW.IIVIINFRARED.COM

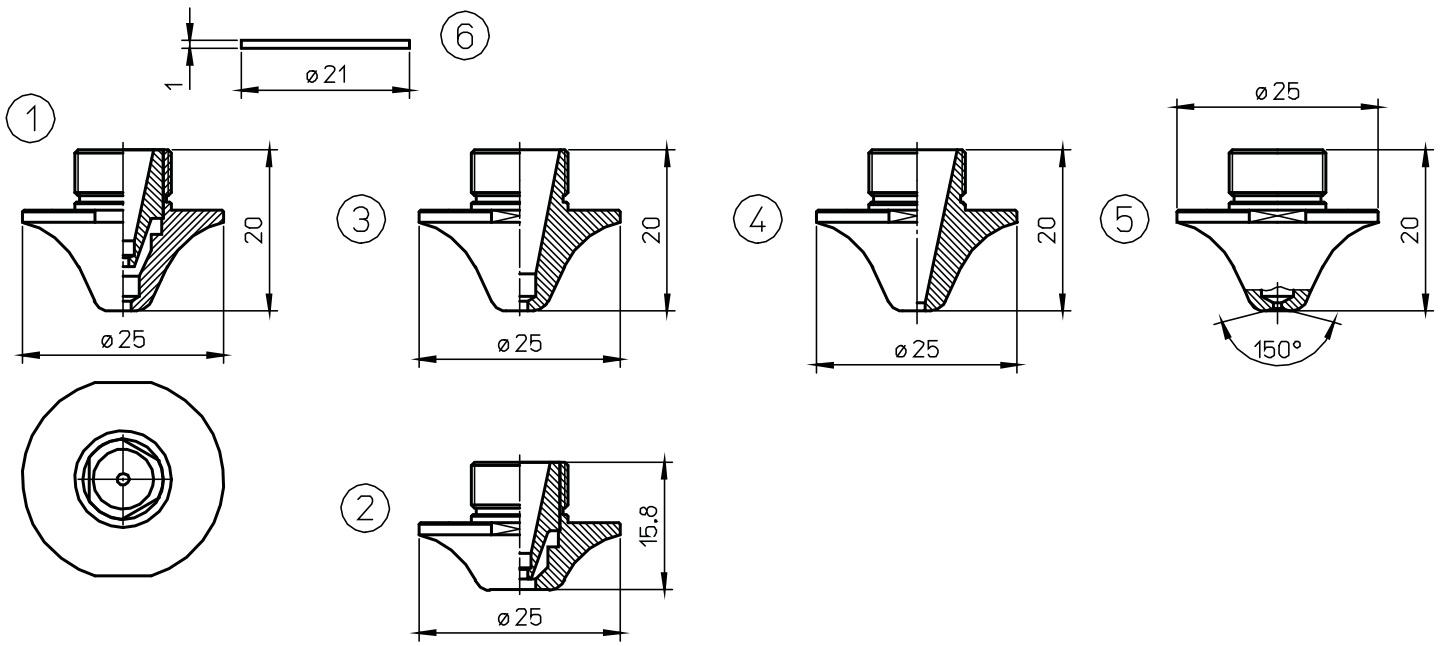
All original equipment manufacturer's names, drawings, colors, trademarks and part numbers are used for identification purposes only and we are in no way implying that any of our products are original equipment parts. All parts advertised for sale in this catalog are made for and/or by II-VI Incorporated.



POS	II-VI P/N	OEM P/N	DESCRIPTION
1	L390X	1669864-7134162	AMADA® DOUBLE NOZZLE Ø 1.0 CP
	L392X	1669864-7134162	AMADA® DOUBLE NOZZLE Ø 1.2 CP
	L393X	1669864-7134162	AMADA® DOUBLE NOZZLE Ø 1.4 CP
	L391X	1669864-7134162	AMADA® DOUBLE NOZZLE Ø 1.5 CP
	L780X	1669864-7134162	AMADA® DOUBLE NOZZLE Ø 1.8 CP
	L315X	1669864-7134162	AMADA® DOUBLE NOZZLE Ø 2.0 CP
	L316X	1669864-7134162-41341680	AMADA® DOUBLE NOZZLE Ø 2.5 CP
	L317X	1669864-7134163	AMADA® DOUBLE NOZZLE Ø 3.0 CP
	L768X	1669864-7134162	AMADA® DOUBLE NOZZLE Ø 3.5 CP
	L319X	1669864-7134162	AMADA® DOUBLE NOZZLE Ø 3.8 CP
	L318X	1669795-71341681	AMADA® DOUBLE NOZZLE Ø 4.0 CP
2	L387X	6551218-71341682	AMADA® DOUBLE NOZZLE Ø 1.0 CP
	L386X	6551218-71341682	AMADA® DOUBLE NOZZLE Ø 1.2 CP
	L389X	6551218-71341682	AMADA® DOUBLE NOZZLE Ø 1.4 CP
	L388X	6551218-71341682	AMADA® DOUBLE NOZZLE Ø 1.5 CP
	L764X	6551218-71341682	AMADA® DOUBLE NOZZLE Ø 1.7 CP
	L320X	6551218-71341682	AMADA® DOUBLE NOZZLE Ø 2.0 CP
	L321X	6551218-71341682	AMADA® DOUBLE NOZZLE Ø 2.5 CP
	L322X	6551218-71341682	AMADA® DOUBLE NOZZLE Ø 3.0 CP
	L323X	6551218-71341682	AMADA® DOUBLE NOZZLE Ø 3.8 CP
	L330X	6551218-71341682	AMADA® DOUBLE NOZZLE Ø 4.0 CP
	3	L384X	71366090
L765X		71366090	AMADA® NOZZLE Ø 1.2 CP
L766X		71366090	AMADA® NOZZLE Ø 1.4 CP
L385X		71366090	AMADA® NOZZLE Ø 1.5 CP
L324X		71366090	AMADA® NOZZLE Ø 2.0 CP
L325X		71366090	AMADA® NOZZLE Ø 2.5 CP
L326X		71366090	AMADA® NOZZLE Ø 3.0 CP
L327X		71366090	AMADA® NOZZLE Ø 3.8 CP
L767X		71366090	AMADA® NOZZLE Ø 4.0 CP
4	AL93	S-14	AMADA® O'RING FOR NOZZLE - 10 PCS
5	AL115X	71366452-71341684-6551148A	AMADA® NOZZLE OUTER CP
6	AL94	71366453	AMADA® O'RING FOR NOZZLE OUTER

TOLL FREE 888.558.1504 (USA and Canada) T. 724.352.1504 F. 724.352.4980 WWW.II-VIINFRARED.COM

All original equipment manufacturer's names, drawings, colors, trademarks and part numbers are used for identification purposes only and we are in no way implying that any of our products are original equipment parts. All parts advertised for sale in this catalog are made for and/or by II-VI Incorporated.

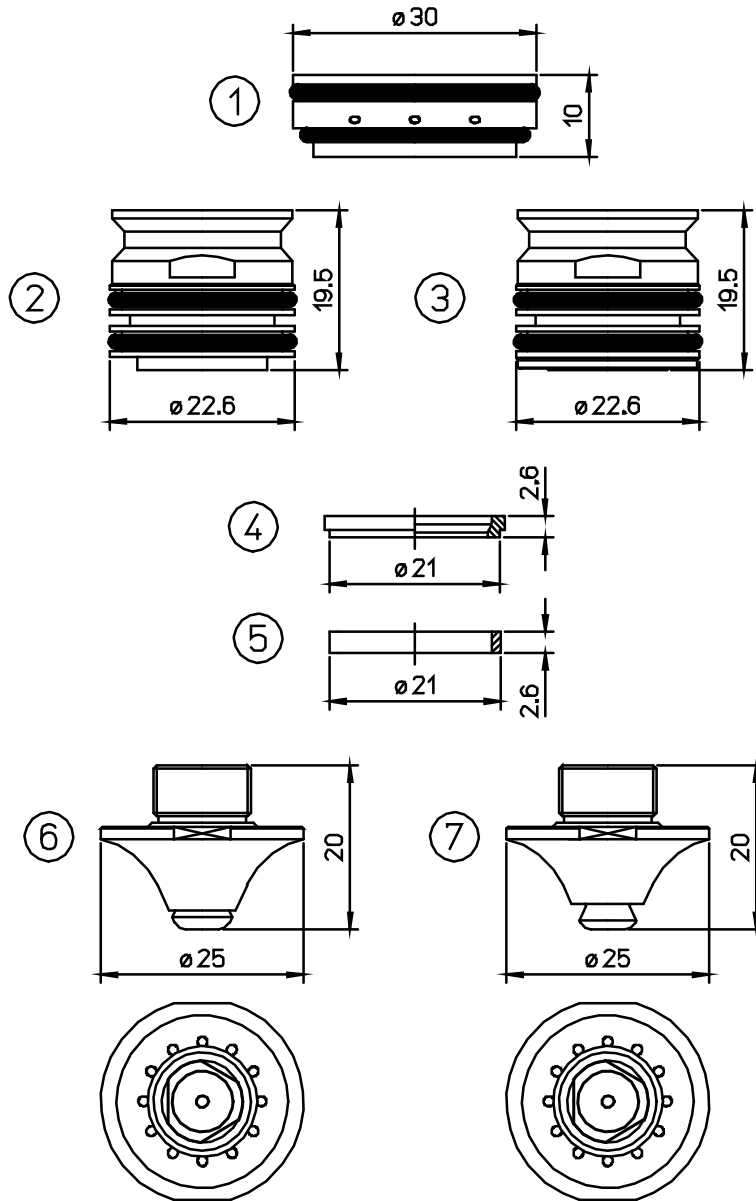




POS	II-VI P/N	OEM P/N	DESCRIPTION
1	L585X	1572361	AMADA® DOUBLE NOZZLE Ø 1.2 CP
	L586X	71369813-71518550-71341779	AMADA® DOUBLE NOZZLE Ø 1.4 CP
	L574X	1572361-71518548-1572380	AMADA® DOUBLE NOZZLE Ø 1.7 CP
	L587X	1572361	AMADA® DOUBLE NOZZLE Ø 2.0 CP
	L584X	71515394-71516789-1576398	AMADA® DOUBLE NOZZLE Ø 2.5 CP
	L588X	1572361	AMADA® DOUBLE NOZZLE Ø 3.0 CP
	L589X	71515395-71516790-1576399	AMADA® DOUBLE NOZZLE Ø 4.0 CP
	L1037X		AMADA® DOUBLE NOZZLE Ø 4.0 CP INNER Ø 2.0
	L583X	1572361	AMADA® DOUBLE NOZZLE Ø 5.0 CP
	L569X		AMADA® DOUBLE NOZZLE Ø 6.0 CP
2	L565X		AMADA® DOUBLE NOZZLE SHORT Ø 4.0 CP
	L567X		AMADA® DOUBLE NOZZLE SHORT Ø 5.0 CP
	L568X		AMADA® DOUBLE NOZZLE SHORT Ø 6.0 CP
3	L590X	1572362	AMADA® NOZZLE Ø 0.8 CP
	L591X	1572362	AMADA® NOZZLE Ø 1.0 CP
	L592X	71369812	AMADA® NOZZLE Ø 1.2 CP
	L593X	1572362	AMADA® NOZZLE Ø 1.4 CP
	L597X	1572362 - 1572368B	AMADA® NOZZLE Ø 1.5 CP
	L575X	1572362	AMADA® NOZZLE Ø 1.7 CP
	L594X	71515392	AMADA® NOZZLE Ø 2.0 CP
	L572X		AMADA® NOZZLE Ø 2.5 CP
	L595X	71515393-1576112	AMADA® NOZZLE Ø 3.0 CP
	L596X	1572362	AMADA® NOZZLE Ø 4.0 CP
4	L1027X		AMADA® NOZZLE STRAIGHT TAPER Ø 0.8 CP
	L1028X		AMADA® NOZZLE STRAIGHT TAPER Ø 1.0 CP
	L1029X		AMADA® NOZZLE STRAIGHT TAPER Ø 1.2 CP
	L1030X		AMADA® NOZZLE STRAIGHT TAPER Ø 1.4 CP
	L599X		AMADA® NOZZLE STRAIGHT TAPER Ø 1.5 CP
	L1032X		AMADA® NOZZLE STRAIGHT TAPER Ø 1.7 CP
	L598X		AMADA® NOZZLE STRAIGHT TAPER Ø 2.0 CP
	L1033X		AMADA® NOZZLE STRAIGHT TAPER Ø 2.3 CP
	L571X		AMADA® NOZZLE STRAIGHT TAPER Ø 3.0 CP
5	L1031X		AMADA® DOUBLE NOZZLE Ø 1.4 CP W/CONCAVE
	L1024X		AMADA® NOZZLE Ø 0.8 CP W/CONCAVE
	L1025X		AMADA® NOZZLE Ø 1.0 CP W/CONCAVE
	L1026X		AMADA® NOZZLE Ø 1.2 CP W/CONCAVE
6	AL1005	71341614	AMADA® DISC HEAD PROTECTION Ø 21 PLASTIC
	AL122	71341614	AMADA® DISC HEAD PROTECTION Ø 21 VESPEL

TOLL FREE 888.558.1504 (USA and Canada) T. 724.352.1504 F. 724.352.4980 WWW.IIVIINFRARED.COM

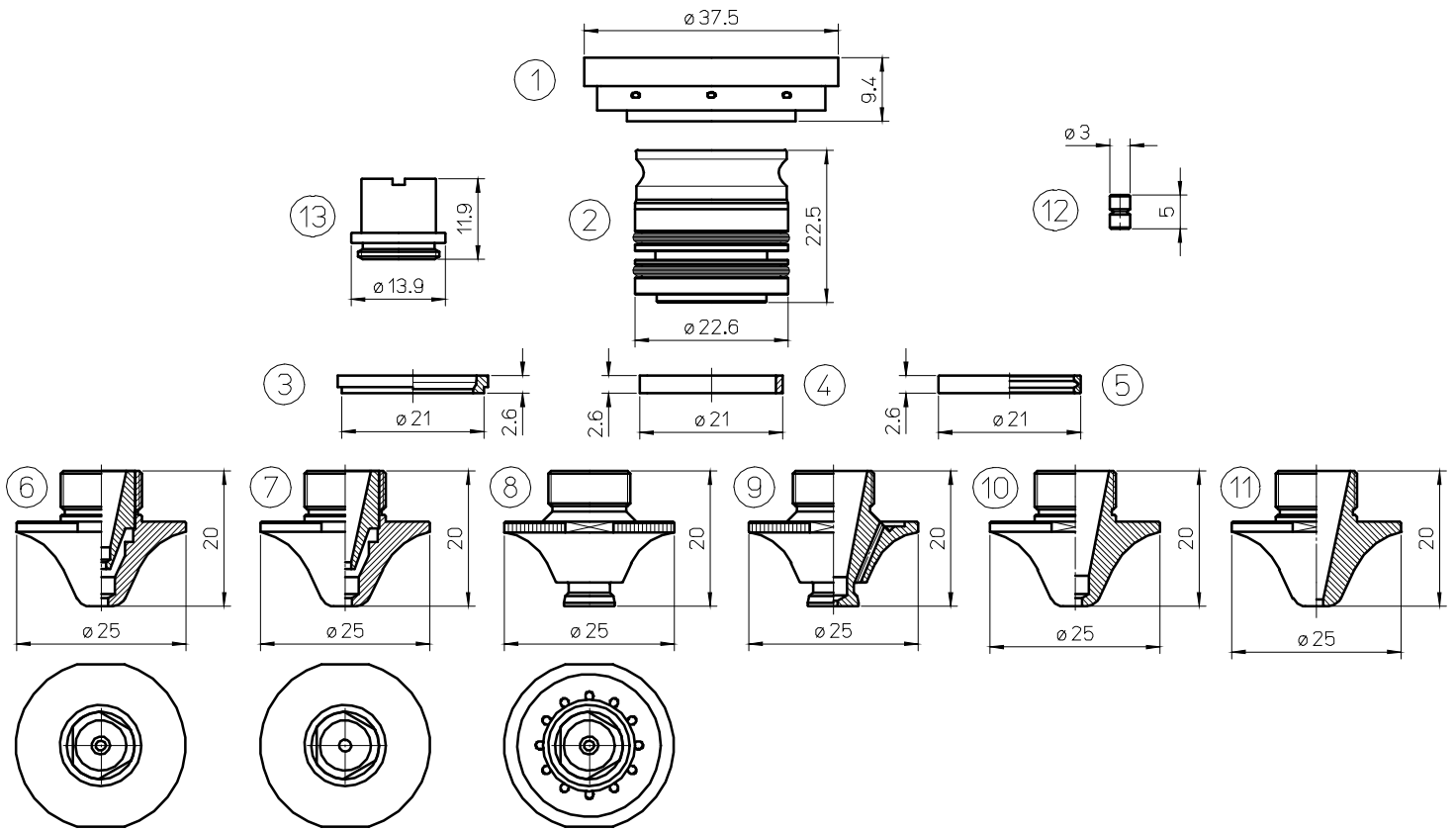
All original equipment manufacturer's names, drawings, colors, trademarks and part numbers are used for identification purposes only and we are in no way implying that any of our products are original equipment parts. All parts advertised for sale in this catalog are made for and/or by II-VI Incorporated.







POS	II-VI P/N	OEM P/N	DESCRIPTION
1	AL340	71502026	AMADA® PTFE INSULATOR FOR ADAPTOR
2	AL248	71502036	AMADA® NOZZLE ADAPTOR WITH 8 HOLES
3	AL348	71502036	AMADA® NOZZLE ADAPTOR WITH 12 HOLES
	AL268		AMADA® KIT O-RINGS FOR AL248
4	AL233		AMADA® PTFE COLLAR RIGID VERSION FOR WACS
5	AL234	71515853	AMADA® PTFE COLLAR FOR WACS
6	L1155X		AMADA® DOUBLE NOZZLE Ø 2.5 CP WITH HOLES
	L1159X		AMADA® DOUBLE NOZZLE Ø 4.0 CP WITH HOLES
7	L1041X		AMADA® DOUBLE NOZZLE Ø 1.4 CP WITH HOLES
	L1043X		AMADA® DOUBLE NOZZLE Ø 1.7 CP WITH HOLES
	L1044X		AMADA® DOUBLE NOZZLE Ø 2.0 CP WITH HOLES
	L1045X		AMADA® DOUBLE NOZZLE Ø 2.5 CP WITH HOLES
	L1049X		AMADA® DOUBLE NOZZLE Ø 4.0 CP WITH HOLES
	L1050X		AMADA® DOUBLE NOZZLE Ø 5.0 CP WITH HOLES



TOLL FREE 888.558.1504 (USA and Canada) T. 724.352.1504 F. 724.352.4980 WWW.II-VIINFRARED.COM

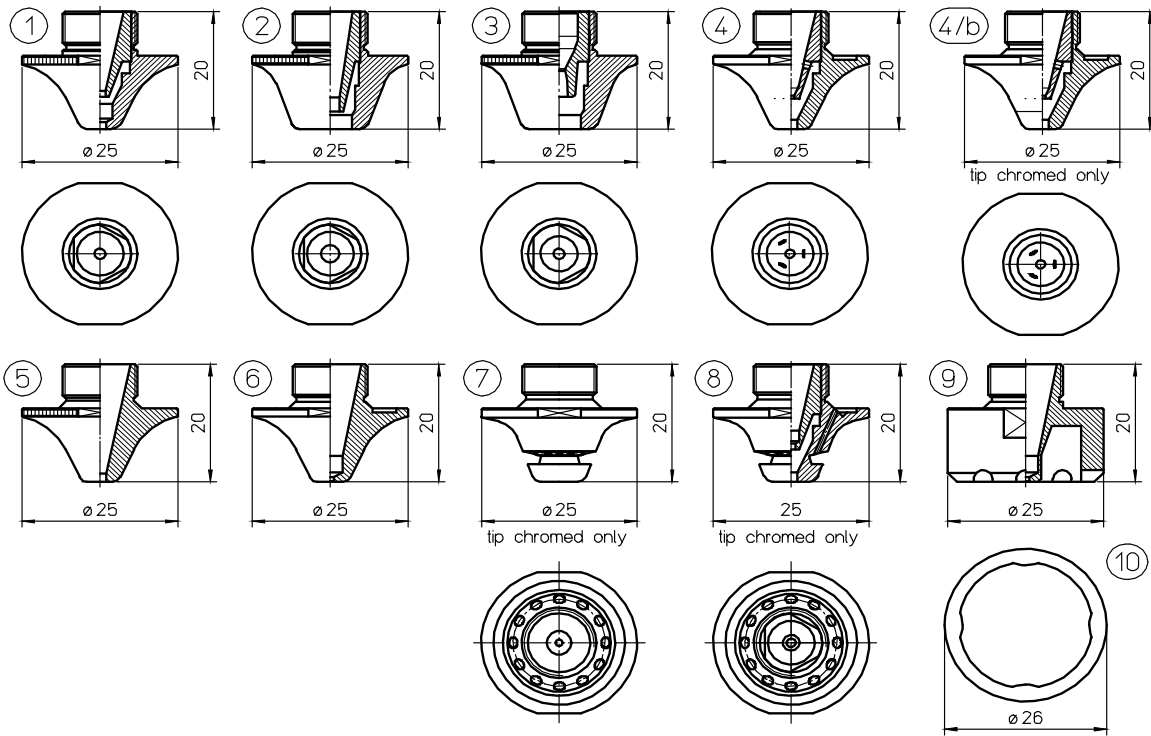
17 All original equipment manufacturer's names, drawings, colors, trademarks and part numbers are used for identification purposes only and we are in no way implying that any of our products are original equipment parts. All parts advertised for sale in this catalog are made for and/or by II-VI Incorporated.



POS	II-VI P/N	OEM P/N	DESCRIPTION
1	AL372	7973497-71712349	AMADA® PTFE HOLDER
2	AL360	71712350 - 7973459	AMADA® NOZZLE ADAPTOR WITH HOLES
	AL360/AM	71712350-7973459	AMADA® NOZZLE ADAPTOR WITH HOLES and INNER
	AL397		AMADA® KIT O-RING ADAPTOR
3	AL233		AMADA® PTFE COLLAR RIGID VERSION FOR WACS
4	AL234	71515853	AMADA® PTFE COLLAR FOR WACS
5	AL361	71712340	AMADA® PTFE COLLAR FOR GROOVE
6	L1401X	71518550-71481029-71502038	AMADA® DOUBLE NOZZLE Ø D1.4E CP ECO CUT
	L1403X	71516789-71501059	AMADA® DOUBLE NOZZLE Ø D2.5 CP ECO CUT
	L1404X		AMADA® DOUBLE NOZZLE Ø D3.0 CP ECO CUT
	L1405X	71516790-71501060	AMADA® DOUBLE NOZZLE Ø D4.0 CP ECO CUT
7	L1406X	71501093	AMADA® DOUBLE NOZZLE Ø D4.0 AL CP
8	L1352X		AMADA® DOUBLE NOZZLE Ø D1.4W CP WACS
	L1352X/TG		AMADA® DOUBLE NOZZLE Ø D1.4W CP WACS WITH COLLAR
	L1353X		AMADA® DOUBLE NOZZLE Ø D1.7W CP WACS
	L1353X/TG		AMADA® DOUBLE NOZZLE Ø D1.7W CP WACS WITH COLLAR
	L1354X		AMADA® DOUBLE NOZZLE Ø D2.0W CP WACS
	L1354X/TG		AMADA® DOUBLE NOZZLE Ø D2.0W CP WACS WITH COLLAR
	L1355X	71712335	AMADA® DOUBLE NOZZLE Ø D2.5W CP WACS
	L1355X/TG	71712335	AMADA® DOUBLE NOZZLE Ø D2.5W CP WACS WITH COLLAR
	L1359X	71712336 - 71461158	AMADA® DOUBLE NOZZLE Ø D4.0W CP WACS
	L1359X/TG		AMADA® DOUBLE NOZZLE Ø D4.0W CP WACS AND COLLAR
	L1360X		AMADA® DOUBLE NOZZLE Ø D5.0W CP WACS
	L1360X/TG		AMADA® DOUBLE NOZZLE Ø D5.0W CP WACS WITH COLLAR
9	L1568X		AMADA® NOZZLE Ø S1.2W CP WACS
10	L1407X	71502037-71461028	AMADA® NOZZLE Ø S1.2E CP ECO CUT
11	L1410X		AMADA® NOZZLE Ø S1.4 CP ECO CUT
	L1411X	71501056-71712720	AMADA® NOZZLE Ø S1.5 CP ECO CUT
	L1412X	71501057-71555124	AMADA® NOZZLE Ø S2.0 CP ECO CUT
	L1413X	71516788-71501058	AMADA® NOZZLE Ø S3.0 CP ECO CUT
12	AL359	71712344	AMADA® LOCATING PIN
13	AL392	71716438-71798350	AMADA® INNER FOR ADAPTOR

TOLL FREE 888.558.1504 (USA and Canada) T. 724.352.1504 F. 724.352.4980 WWW.IIVIINFRARED.COM

All original equipment manufacturer's names, drawings, colors, trademarks and part numbers are used for identification purposes only and we are in no way implying that any of our products are original equipment parts. All parts advertised for sale in this catalog are made for and/or by II-VI Incorporated.



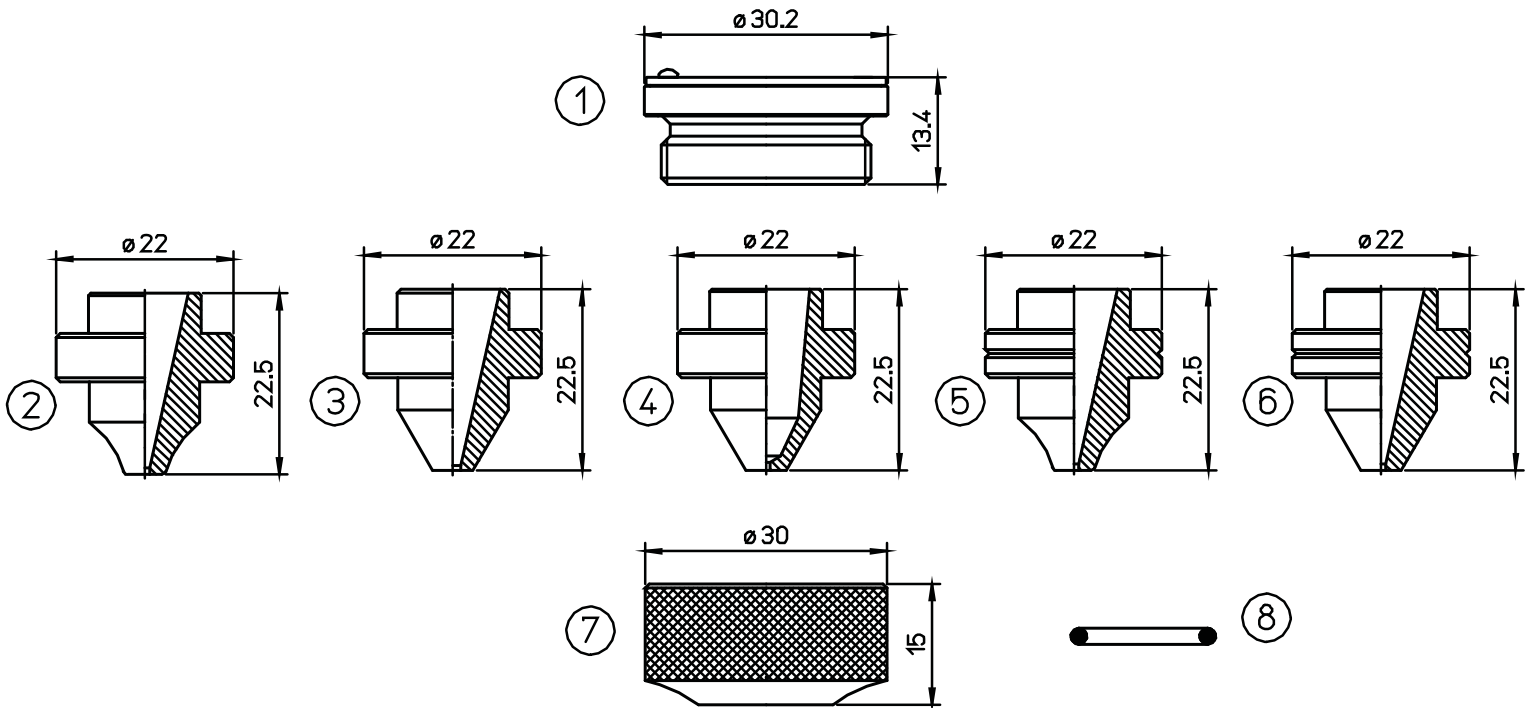
TOLL FREE 888.558.1504 (USA and Canada) T. 724.352.1504 F. 724.352.4980 WWW.II-VIINFRARED.COM



POS	II-VI P/N	OEM P/N	DESCRIPTION
1	L1415XH		AMADA® DOUBLE NOZZLE Ø D2,5CC SPECIAL CP FOR CLEAN CUT
	L1416XH	71341728-71555121	AMADA® DOUBLE NOZZLE Ø D4.0CC SPECIAL CP FOR CLEAN CUT
2	L1417XH		AMADA® DOUBLE NOZZLE Ø D5.0CC SPECIAL CP FOR CLEAN CUT
	L1418XH		AMADA® DOUBLE NOZZLE Ø D6.0CC SPECIAL CP FOR CLEAN CUT
	L1419XH	71341729-71712721	AMADA® DOUBLE NOZZLE Ø D7.0CC SPECIAL CP FOR CLEAN CUT
	L1425X	71501092	AMADA® DOUBLE NOZZLE Ø 7.0 AL CC CP
3	L1420X	71501092	AMADA® DOUBLE NOZZLE Ø 7.0SC CP SILKY CUT
4	L1645X	71570022	AMADA® DOUBLE NOZZLE Ø D2.0F CP
	L1646X		AMADA® DOUBLE NOZZLE Ø D2.5F CP
4b	L1644XH		AMADA® DOUBLE NOZZLE Ø D1.5F CP
	L1645XH		AMADA® DOUBLE NOZZLE Ø D2.0F CP
5	L1421XH		AMADA® NOZZLE Ø S1.5CC SPECIAL CP FOR CLEAN CUT
	L1422XH	71502043	AMADA® NOZZLE Ø S2.0CC SPECIAL CP FOR CLEAN CUT
	L1424XH		AMADA® NOZZLE Ø S2.5CC SPECIAL CP FOR CLEAN CUT
	L1423XH	71502044	AMADA® NOZZLE Ø S3.0CC SPECIAL CP FOR CLEAN CUT
6	L1560X		AMADA® NOZZLE Ø S0.8 FE CP
	L1561X	71570021	AMADA® NOZZLE Ø S1.0 FE CP
	L1562X	71570020	AMADA® NOZZLE Ø S1.2 FE CP
	L1563X		AMADA® NOZZLE Ø S1.4 FE CP
7	L1653XH		AMADA® NOZZLE Ø S0.8 FE FIBER CP
	L1653XH/TG		AMADA® NOZZLE Ø S0.8 FE FIBER CP WITH COLLAR
	L1654XH	71570030	AMADA® NOZZLE Ø S1.0 FE FIBER CP
	L1654XH/TG	71570030	AMADA® NOZZLE Ø S1.0 FE FIBER CP WITH COLLAR
	L1655XH	71570023	AMADA® NOZZLE Ø S1.2 FE FIBER CP
	L1655XH/TG	71570023	AMADA® NOZZLE Ø S1.2 FE FIBER CP WITH COLLAR
	L1656XH		AMADA® NOZZLE Ø S1.4 FE FIBER CP
	L1656XH/TG		AMADA® NOZZLE Ø S1.4FE FIBER CP WITH COLLAR
	L1657XH		AMADA® NOZZLE Ø S1.7 FE FIBER CP
	L1657XH/TG		AMADA® NOZZLE Ø S1.7FE FIBER CP WITH COLLAR
	L1658XH		AMADA® NOZZLE Ø S2.0 FE FIBER CP
L1658XH/TG		AMADA® NOZZLE Ø S2.0 FE FIBER CP WITH COLLAR	
8	L1900XH		AMADA® DOUBLE NOZZLE D1.2 FE FIBER CP
9	L1333		AMADA® NOZZLE Ø2.0
10	AL403		AMADA® PTFE COLLAR

TOLL FREE 888.558.1504 (USA and Canada) T. 724.352.1504 F. 724.352.4980 WWW.II-VIINFRARED.COM

All original equipment manufacturer's names, drawings, colors, trademarks and part numbers are used for identification purposes only and we are in no way implying that any of our products are original equipment parts. All parts advertised for sale in this catalog are made for and/or by II-VI Incorporated.



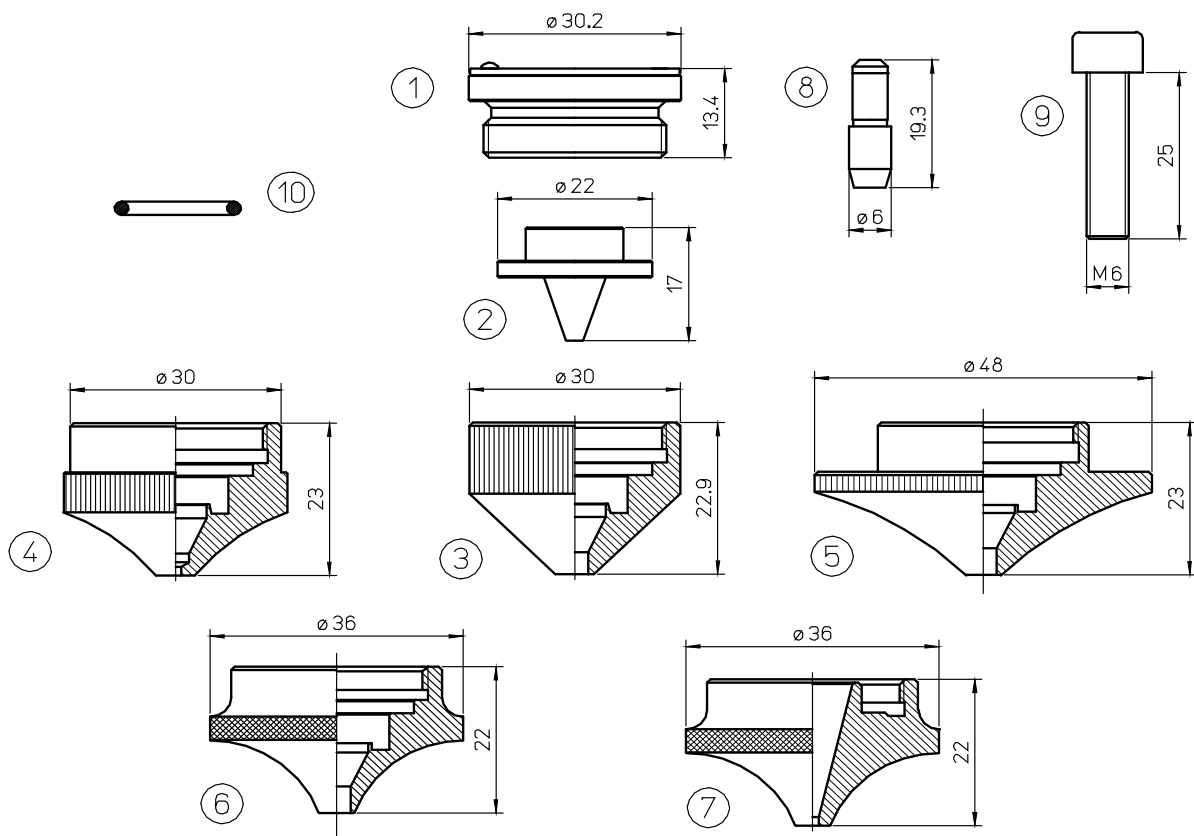
TOLL FREE 888.558.1504 (USA and Canada) T. 724.352.1504 F. 724.352.4980 WWW.IIVIINFRARED.COM

21 All original equipment manufacturer's names, drawings, colors, trademarks and part numbers are used for identification purposes only and we are in no way implying that any of our products are original equipment parts. All parts advertised for sale in this catalog are made for and/or by II-VI Incorporated.



LC 3015 XI NT

POS	II-VI P/N	OEM P/N	DESCRIPTION
1	AL267	P0594-860-00001 - 71800010	PRECITEC® NOZZLE HOLDER IT HP2" MZP/MEL
2	L1126	71800016A0-BQ933D283H01	AMADA® - MITSUBISHI® NOZZLE Ø 1.0 WITH RADIUS NO GROOVE
3	L1134	71800018 - BQ943D157H01	AMADA® - MITSUBISHI® NOZZLE Ø 1.5
	L1131		AMADA® - MITSUBISHI® NOZZLE Ø 1.7
	L1135	71800019 - BQ943D157H02	AMADA® - MITSUBISHI® NOZZLE Ø 2.0
	L1136	71800020 - BQ943D157H03	AMADA® - MITSUBISHI® NOZZLE Ø 2.5
	L1137	71800021 - BQ943D157H04	AMADA® - MITSUBISHI® NOZZLE Ø 3.0
	L1138	71800022 - BQ943D596H01	AMADA® - MITSUBISHI® NOZZLE Ø 3.5
	L1139		AMADA® - MITSUBISHI® NOZZLE Ø 4.0
	L1140X	71800109-BQ943D714H01- W18Q94371401	AMADA® - MITSUBISHI® NOZZLE Ø 4.0 CP FOR FOCUS POINT
4	L1125	71800016-BQ943D897H01- W18Q94389701	AMADA® - MITSUBISHI® HV NOZZLE Ø 1.0
	L1128	W18Q93309101	AMADA® - MITSUBISHI® HV NOZZLE Ø 2.5
	L1129	W18Q93309102	AMADA® - MITSUBISHI® HV NOZZLE Ø 3.0
5	L1130	71800017-BQ943D269H01- W18Q93326901	AMADA® - MITSUBISHI® HV NOZZLE Ø 1.2 WITH RADIUS
6	L1132	W18Q93302701	AMADA® - MITSUBISHI® HV NOZZLE Ø 1.7
7	AL269	71800026 - BQ933D94H01	AMADA® - MITSUBISHI® NOZZLE NUT SHORT
8	AL388	W290-71800107	mitsubishi® O-RING



TOLL FREE 888.558.1504 (USA and Canada) T. 724.352.1504 F. 724.352.4980 WWW.II-VIINFRARED.COM

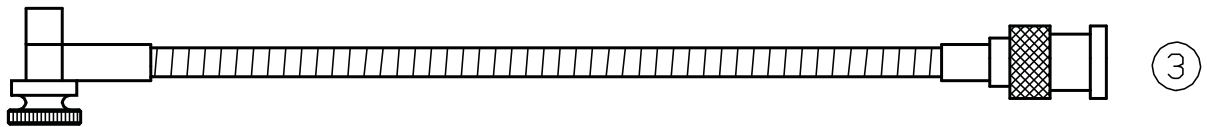
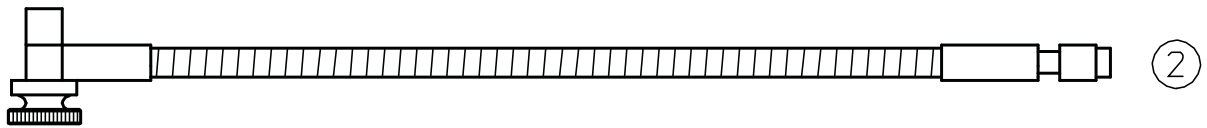
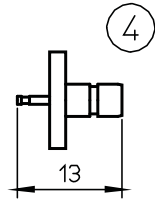
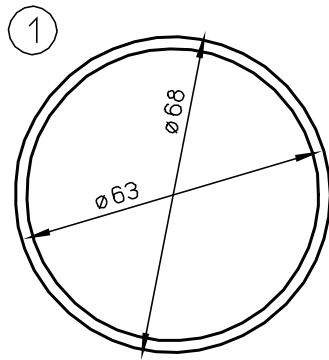
23 All original equipment manufacturer's names, drawings, colors, trademarks and part numbers are used for identification purposes only and we are in no way implying that any of our products are original equipment parts. All parts advertised for sale in this catalog are made for and/or by II-VI Incorporated.





## LC 3015 XI NT

POS	II-VI P/N	OEM P/N	DESCRIPTION
1	AL267	P0594-860-00001 - 71800010	PRECITEC® NOZZLE HOLDER IT HP2" MZP/MEL
2	L1119	71800023 - BQ943D156H01/ W270-1.5	AMADA® - MITSUBISHI® DOUBLE NOZZLE 8 HOLES Ø 1.5
	L1123	71800024 - BQ943D156H03	AMADA® - MITSUBISHI® DOUBLE NOZZLE 24 HOLES Ø 1.5
	L1120		AMADA® - MITSUBISHI® DOUBLE NOZZLE 8 HOLES Ø 2.0
	L1124		AMADA® - MITSUBISHI® DOUBLE NOZZLE 24 HOLES Ø 2.0
3	AL238	71800027 - BQ933D221H04- P0593-860-00001	AMADA® - MITSUBISHI® SHIELD CAP SHORT
	AL238X		AMADA® - MITSUBISHI® SHIELD CAP SHORT CP
4	AL302		AMADA® - MITSUBISHI® OUTER NOZZLE Ø 1.7
	AL303		AMADA® - MITSUBISHI® OUTER NOZZLE Ø 2.0
	AL304		AMADA® - MITSUBISHI® OUTER NOZZLE Ø 2.5
	AL305		AMADA® - MITSUBISHI® OUTER NOZZLE Ø 3.0
	AL306		AMADA® - MITSUBISHI® OUTER NOZZLE Ø 4.0
5	AL266	BQ933D044H01-71800101- W18Q93304401	MITSUBISHI® OUTER NOZZLE HIGH SPEED PIERCE
6	AL270	71802197 - BQ933D044H01	AMADA® - MITSUBISHI® OUTER NOZZLE
7	L1262	7180015400 - BQ023D020H01	AMADA® NOZZLE HIGH SPEED PIERCE Ø 1.7
8	AL345	71800009 - P921K000P25 - JPZA5-6	AMADA® SAFETY PIN
9	AL346	71800008 - L2490A005	AMADA® SAFETY SCREW
10	AL388	W290-71800107	MITSUBISHI® O-RING





POS	II-VI P/N	OEM P/N	DESCRIPTION
1	AL56		AMADA® GASKET PTFE FOR SENSOR HEAD
2	AL200	71341630	AMADA® CONNECTING CABLE HS 5 305mm
3	AL260	71398965	AMADA® CONNECTING CABLE HS-15 FO 315mm
4	AL263		AMADA® SENSOR CABLE CONNECTOR



FOR ALL OF YOUR REPLACEMENT OPTIC NEEDS

CO<sub>2</sub> LASER OPTICS/CONSUMABLE PRODUCTS  
 CO<sub>2</sub> LASER CONSUMABLES  
 NOZZLES & ACCESSORIES  
 TRUMPF CUT LENSES  
 MP-5 ULTRA-LOW ABSORPTION LENSES  
 ASPHERIC LENSES  
 MENISCUS LENSES  
 PLANO-CONVEX LENSES  
 CYLINDER LENSES  
 MIRRORS  
 SCANNING LASER SYSTEM OPTICS  
 BEAM COMBINERS  
 BEAM EXPANDERS  
 BEAMSPLITTERS  
 COLLIMATING OPTICS  
 DIAMOND-TURNED SPECIALTY OPTICS  
 REFLECTIVE PHASE RETARDERS  
 PRISMS & RHOMBS  
 MODULATORS  
 WAVEPLATES  
 THIN-FILM POLARIZERS  
 POLARIZER-ANALYZER-ATTENUATOR

RESONATOR OPTICS  
 OUTPUT COUPLERS  
 REAR MIRRORS  
 BAND-SELECTIVE OPTICS  
 AR-COATED WINDOWS  
 BREWSTER WINDOWS  
 PROTECTIVE WINDOWS  
 LENS STRESS ANALYZER(LSA)  
 1 MICRON OPTICS  
 1 MICRON OPTICAL COMPONENTS  
 1 MICRON DEBRIS SHIELDS  
 1 MICRON HPDDL BEAM INTEGRATORS  
 1 MICRON OPTICAL COATINGS  
 1 MICRON MATERIALS  
 OPTICAL MATERIALS  
 ZINC SELENIDE (ZNSE)  
 ZINC SULFIDE (ZNS)  
 ZINC SULFIDE MULTISPECTRAL (ZNS MS)  
 GERMANIUM (GE)  
 GALLIUM ARSENIDE (GAAS)  
 MATERIAL BLANKS  
 CVD DIAMOND SUBSTRATES  
 IR THERMAL IMAGING OPTICS



TOLL FREE 888.558.1504 (USA and Canada) T. 724.352.1504 F. 724.352.4980 WWW.II-VIINFRARED.COM

All original equipment manufacturer's names, drawings, colors, trademarks and part numbers are used for identification purposes only and we are in no way implying that any of our products are original equipment parts. All parts advertised for sale in this catalog are made for and/or by II-VI Incorporated.



## WORLDWIDE SALES OFFICES

To place an order, contact a II-VI sales representative at any of the following locations, or visit [www.iiviiinfrared.com/contact](http://www.iiviiinfrared.com/contact) for our most complete and up-to-date contact information.

**II-VI INFRARED**

375 SAXONBURG BLVD  
SAXONBURG, PA 16056  
UNITED STATES  
888-558-1504 (Toll free in USA)  
T. 724-352-1504  
F. 724-352-4980  
[info@iiviiinfrared.com](mailto:info@iiviiinfrared.com)

**II-VI WEST**

36570 BRIGGS ROAD  
MURRIETA, CA 92563  
USA  
800.262.5273 (Toll free in USA)  
T. 951.926.7640  
F. 951.926.8218  
[info@iiviiinfrared.com](mailto:info@iiviiinfrared.com)

**II-VI BENELUX N.V.**

BAAIKENSSTRAAT 21/2  
B-9240 ZELE  
BELGIUM  
T. 32 (0) 52 45 86 10  
F. 32 (0) 52 45 86 11  
[sales@ii-vi.be](mailto:sales@ii-vi.be)

**II-VI DEUTSCHLAND GmbH**

BRUNNENWEG 19-21  
D-64331 WEITERSTADT  
GERMANY  
T. 49 6150 54 39-226  
F. 49 6150 54 39-200  
[ir.Info.de@ii-vi.com](mailto:ir.Info.de@ii-vi.com)

**II-VI ITALIA S.r.l.**

VIA ANDREA COSTA  
31-20131 MILANO  
ITALY  
T. 39 02 2828740  
F. 39 02 26149131  
[ir.info.it@ii-vi.com](mailto:ir.info.it@ii-vi.com)

**II-VI SUISSE S.a.r.l.**

MOULIN-DU-CHOC  
1122 ROMANEL-SUR-MORGES  
SWITZERLAND  
T. 41 2186 902 52  
F. 41 2186 993 08  
[info@ii-vi.ch](mailto:info@ii-vi.ch)

**II-VI UK LTD.**

UNIT 20B, OAKHAM ENTERPRISE  
PARK, ASHWELL ROAD, OAKHAM,  
RUTLAND, LE15 7TU  
UNITED KINGDOM  
T. 44 1572 771 778  
F. 44 1572 771 779  
[sales@ii-vi.co.uk](mailto:sales@ii-vi.co.uk)

**II-VI JAPAN**

WBG MARIVE EAST 26F  
NAKASE 2-6-1  
MIHAMA-KU, CHIBA-SHI  
CHIBA 261-7126  
JAPAN  
T. 81 43297 2693  
F. 81 43297 3003  
[center@ii-vi.co.jp](mailto:center@ii-vi.co.jp)

**II-VI SINGAPORE PTE. LTD.**

BLK. 5012, TECHPLACE II  
#04-07 & 05-07/12,  
ANG MO KIO AVE. 5  
SINGAPORE 569876  
T. 65 6481 8215  
F. 65 6481 8702  
[ir.sales.sg@ii-vi.com](mailto:ir.sales.sg@ii-vi.com)

**II-VI INFRARED LASER(SUZHOU)**

BLOCK D#01-01/02  
NO. 5 XING HAN STREET  
SUZHOU INDUSTRIAL PARK  
SUZHOU, CHINA 215101  
T. 86 512 6761 9295  
F. 86 512 6767 1207  
[infosz@ii-vi.com.cn](mailto:infosz@ii-vi.com.cn)

**II-VI KOREA**

WEST 1502 HANSHIN INTERVALLEY  
322 TEHERAN-RO  
SEOUL, KOREA 06211  
T. 82 2 6242 2626  
F. 82 2 6242 2627  
[jchoi@ii-vi.com](mailto:jchoi@ii-vi.com)

**II-VI TAIWAN**

8FL, 285 SEC 2 TIDING BLVD.  
TAIPEI 114, TAIWAN  
REPUBLIC OF CHINA  
T. 886 2 87512155  
F. 886 2 26582276  
[ir.sales.tw@ii-vi.com](mailto:ir.sales.tw@ii-vi.com)