

CO₂ & FIBER LASER NOZZLES AND ACCESSORIES



LVD[®]



TOLL FREE 888.558.1504 (USA and Canada)
TEL. 724.352.1504 FAX. 724.352.4980



About II-VI INFRARED

In 1971, II-VI Incorporated began by exclusively producing the highest-quality cadmium telluride (CdTe) material available for manufacturing high-power industrial CO₂ laser optics. Today, we have diversified into producing zinc selenide (ZnSe) material, as well as into numerous business units including laser tools for materials processing (HIGHYAG); near-infrared optics, YAG components, and telecommunications components (VLOC); fiber optics, projection and display optics, DPSS laser, crystal materials, and other photonics products (Photop); defense and aerospace optics (Exotic Electro-Optics); tellurium and selenium products (PRM); thermoelectric cooling devices (Marlow Industries); silicon carbide (II-VI WBG); and advanced materials development (II-VI AMDC). Given this diversity of II-VI Incorporated's business units, we have thus christened our original IR materials and optics business unit II-VI Infrared.

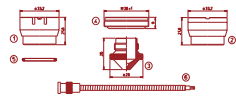
As II-VI Incorporated continues to grow, II-VI Infrared focuses on the company's original, industry-leading products: infrared and CO₂ laser optics and materials. And thanks to decades of innovation in zinc selenide (ZnSe) and zinc sulfide (ZnS) materials processing, thin-film coating, precision diamond turning, and finished optics fabrication, II-VI Infrared is the world leader in CO₂ laser optics, delivering an unbeatable combination of innovation, quality, and expertise. II-VI Infrared also delivers the largest vertically integrated CO₂ laser optics manufacturing process -- from raw materials to finished coated products -- in the world.

An optics foundry to CO₂ laser original equipment manufacturers (OEMs) the world over, consistently building optics to spec with consistent performance and quality, II-VI Infrared's products range from replacement CO₂ laser optics and nozzles to lenses, partial reflectors, windows, beamsplitters, mirrors, beam expanders, reflective phase retarders, scanning-laser system optics, diamond-turned custom optics, IR optical materials (ZnSe, ZnS, CVD Diamond), and more. Our products and reputation make us the number-one supplier to OEMs of CO₂ laser systems worldwide, while our capabilities are without rival in the industry.

Our diamond-turning facility is among the largest and most advanced in the world, offering services such as flycutting and multiple-axis turning, as well as fast and slow tool servos for custom optics. Single-point diamond-turning is used in finishing transmissive optics and mirrors in a variety of metals and IR materials.

Major investments in computer design programs, thin film evaporation equipment, clean rooms, and QA testing facilities enable us to offer a broad range of IR thin-film coatings. II-VI Infrared is known for designing and producing consistently low-absorption coatings for high-power CO₂ laser optics. Additionally, our talented and experienced engineering team using optical design software and CAD systems, designs and builds standard and custom optics as well as specialized mounts, components, and electro-optic assemblies.

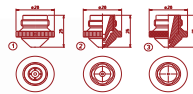
Our quality assurance program includes comprehensive testing, documentation, and statistical analysis to ensure that each optic and component performs to customer requirements.



3-4

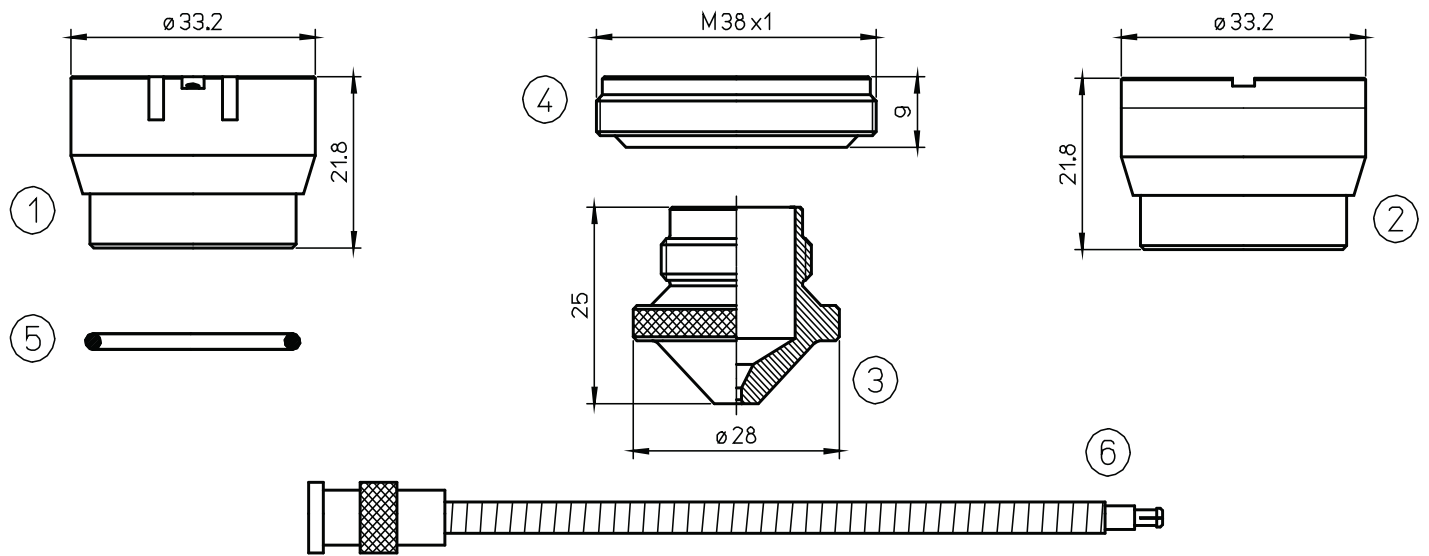


5-6



7-8





TOLL FREE 888.558.1504 (USA and Canada) T. 724.352.1504 F. 724.352.4980 WWW.IIVIINFRARED.COM

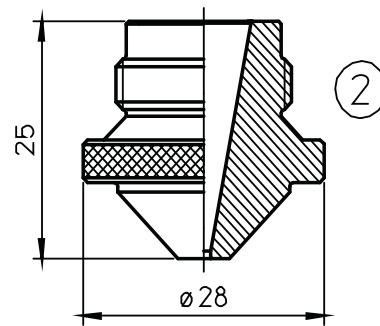
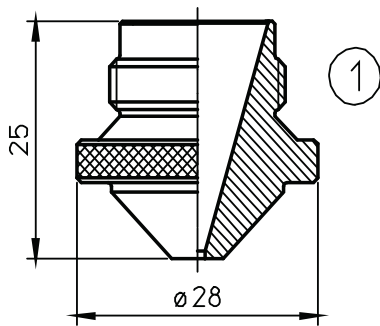
3 All original equipment manufacturer's names, drawings, colors, trademarks and part numbers are used for identification purposes only and we are in no way implying that any of our products are original equipment parts. All parts advertised for sale in this catalog are made for and/or by II-VI Incorporated.



POS	II-VI P/N	OEM P/N	DESCRIPTION
1	AL130	281146-P0380-211-00001-29100033	PRECITEC® ORIG. NOZ. HOLDER IT M1.5" DZ - ALUMINUM
	AL130/S	281146-P0380-211-00001-29100033	PRECITEC® NOZZLE HOLDER IT M1.5" DZ - ALUMINUM
2	AL40	280565-P0497-605-00001-29100106	PRECITEC® ORIG. NOZ. HOLDER KT M1.5"DXN - CERAMIC
	P49761500001	P0497-615-00001	PRECITEC® ORIG. NOZZLE HOLDER KT M1.5"DXN-P
3	L757	D5241993	LVD® NOZZLE Ø 0.8 - CYLINDRICAL
	L20757	D5241993	LVD® NOZZLE Ø 0.8 - CYLINDRICAL
	L141	D7945470	LVD® NOZZLE Ø 1.0 - CYLINDRICAL
	L20141	D7945470	LVD® NOZZLE Ø 1.0 - CYLINDRICAL
	L758	D5241982	LVD® NOZZLE Ø 1.2 - CYLINDRICAL
	L20758	D5241982	LVD® NOZZLE Ø 1.2 - CYLINDRICAL
	L142	D7945434	LVD® NOZZLE Ø 1.5 - CYLINDRICAL
	L20142	D7945434	LVD® NOZZLE Ø 1.5 - CYLINDRICAL
	L143	D7945452	LVD® NOZZLE Ø 2.0 - CYLINDRICAL
	L20143	D7945452	LVD® NOZZLE Ø 2.0 - CYLINDRICAL
	L144	D7945517	LVD® NOZZLE Ø 2.5 - CYLINDRICAL
	L20144	D7945517	LVD® NOZZLE Ø 2.5 - CYLINDRICAL
	L145		LVD® NOZZLE Ø 3.0 - CYLINDRICAL
	L20145		LVD® NOZZLE Ø 3.0 - CYLINDRICAL
	L757X	D5241993	LVD® NOZZLE Ø 0.8 CP - CYLINDRICAL
	L20757X	D5241993	LVD® NOZZLE Ø 0.8 CP - CYLINDRICAL
	L141X	D7945470	LVD® NOZZLE Ø 1.0 CP - CYLINDRICAL
	L20141X	D7945470	LVD® NOZZLE Ø 1.0 CP - CYLINDRICAL
	L758X	D5241982	LVD® NOZZLE Ø 1.2 CP - CYLINDRICAL
	L20758X	D5241982	LVD® NOZZLE Ø 1.2 CP - CYLINDRICAL
	L142X	D7945434	LVD® NOZZLE Ø 1.5 CP - CYLINDRICAL
	L20142X	D7945434	LVD® NOZZLE Ø 1.5 CP - CYLINDRICAL
	L143X	D7945452	LVD® NOZZLE Ø 2.0 CP - CYLINDRICAL
	L20143X	D7945452	LVD® NOZZLE Ø 2.0 CP - CYLINDRICAL
	L144X	D7945517	LVD® NOZZLE Ø 2.5 CP - CYLINDRICAL
	L20144X	D7945517	LVD® NOZZLE Ø 2.5 CP - CYLINDRICAL
	L145X		LVD® NOZZLE Ø 3.0 CP - CYLINDRICAL
L20145X		LVD® NOZZLE Ø 3.0 CP - CYLINDRICAL	
4	AL198	P0492-702-00001-29100021	PRECITEC® INSULATING RING - plastic
	AL201	P0492-702-00002	PRECITEC® INSULATING RING - plastic
5	AL94	71366453	AMADA® O'RING FOR NOZZLE OUTER
6	AL204	P0360-100-00500 - 46713300100	PRECITEC® ORIG. SENSOR CABLE KE 500 Z
	AL202	P0497-002-00450	PRECITEC® ORIG. CABLE KE 450 gg

TOLL FREE 888.558.1504 (USA and Canada) T. 724.352.1504 F. 724.352.4980 WWW.IIVIINFRARED.COM

All original equipment manufacturer's names, drawings, colors, trademarks and part numbers are used for identification purposes only and we are in no way implying that any of our products are original equipment parts. All parts advertised for sale in this catalog are made for and/or by II-VI Incorporated.



TOLL FREE 888.558.1504 (USA and Canada) T. 724.352.1504 F. 724.352.4980 WWW.IIVIINFRARED.COM

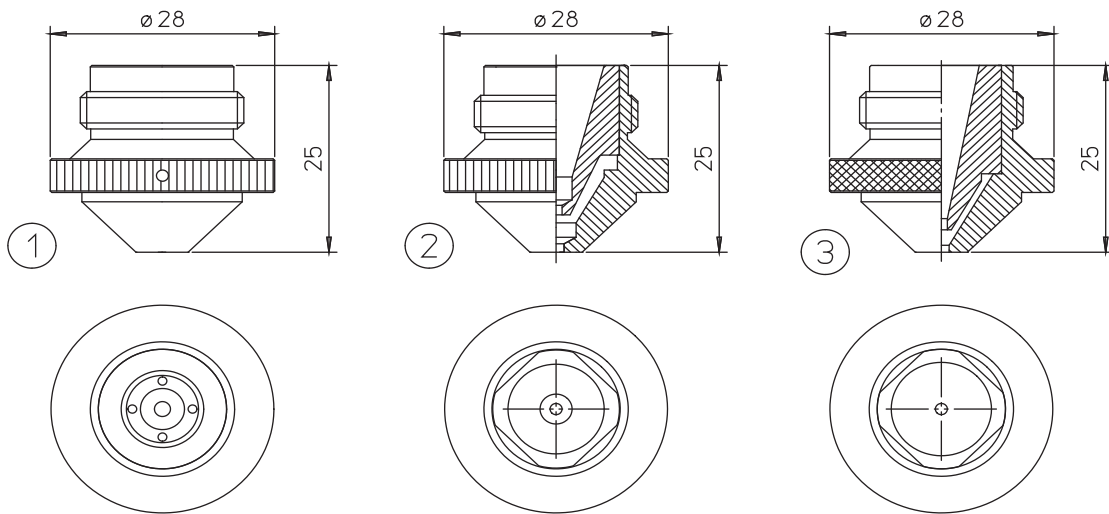
5 All original equipment manufacturer's names, drawings, colors, trademarks and part numbers are used for identification purposes only and we are in no way implying that any of our products are original equipment parts. All parts advertised for sale in this catalog are made for and/or by II-VI Incorporated.



POS	II-VI P/N	OEM P/N	DESCRIPTION
1	L151	D5241863	LVD® NOZZLE Ø 1.0 HD - CONICAL
	L20151	D5241863	LVD® NOZZLE Ø 1.0 HD - CONICAL
	L759		LVD® NOZZLE Ø 1.2HD - CONICAL
	L20759		LVD® NOZZLE Ø 1.2 HD - CONICAL
	L152	D5241862	LVD® NOZZLE Ø 1.5 HD - CONICAL
	L20152	D5241862	LVD® NOZZLE Ø 1.5 HD - CONICAL
	L748	D5242512	LVD® NOZZLE Ø 1.7 HD - CONICAL
	L20748	D5242512	LVD® NOZZLE Ø 1.7 HD - CONICAL
	L146	D5241855	LVD® NOZZLE Ø 2.0 HD - CONICAL
	L20146	D5241855	LVD® NOZZLE Ø 2.0 HD - CONICAL
	L749	D5242513-Z000000539D	LVD® NOZZLE Ø 2.3 HD - CONICAL
	L20749	D5242513-Z000000539D	LVD® NOZZLE Ø 2.3 HD - CONICAL
	L147	D5241856-Z000000563B	LVD® NOZZLE Ø 2.5 HD - CONICAL
	L20147	D5241856-Z000000563B	LVD® NOZZLE Ø 2.5 HD - CONICAL
	L148	D5241857-Z000000540B	LVD® NOZZLE Ø 3.0 HD- CONICAL
	L20148	D5241857-Z000000540B	LVD® NOZZLE Ø 3.0 HD - CONICAL
	L149	D5241877-Z000000564B	LVD® NOZZLE Ø 3.5 HD - CONICAL
	L20149	D5241877-Z000000564B	LVD® NOZZLE Ø 3.5 HD - CONICAL
	L283	D5241878-Z000000565B	LVD® NOZZLE Ø 4.0 HD - CONICAL
	L20283	D5241878-Z000000565B	LVD® NOZZLE Ø 4.0 HD - CONICAL
	L1303	D5242531-Z000000566B	LVD® NOZZLE Ø 4.5 HD - CONICAL
	L201303	D5242531-Z000000566B	LVD® NOZZLE Ø 4.5 HD - CONICAL
	L1304	D5242535-Z000000567B	LVD® NOZZLE Ø 5.0 HD - CONICAL
	L201304	D5242535-Z000000567B	LVD® NOZZLE Ø 5.0 HD - CONICAL
	L1305	D5242536-Z000000568B	LVD® NOZZLE Ø 6.0 HD - CONICAL
	L201305	D5242536-Z000000568B	LVD® NOZZLE Ø 6.0 HD - CONICAL
	L151X	D5241863	LVD® NOZZLE Ø 1.0 HD CP - CONICAL
	L20151X	D5241863	LVD® NOZZLE Ø 1.0 HD CP - CONICAL
	L759X		LVD® NOZZLE Ø 1.2 HD CP - CONICAL
	L20759X		LVD® NOZZLE Ø 1.2 HD CP - CONICAL
	L152X	D5241862	LVD® NOZZLE Ø 1.5 HD CP - CONICAL
	L20152X	D5241862	LVD® NOZZLE Ø 1.5 HD CP - CONICAL
	L748X	D5242512	LVD® NOZZLE Ø 1.7 HD CP - CONICAL
	L20748X	D5242512	LVD® NOZZLE Ø 1.7 HD CP - CONICAL
	L146X	D5241855	LVD® NOZZLE Ø 2.0 HD CP - CONICAL
	L20146X	D5241855	LVD® NOZZLE Ø 2.0 HD CP - CONICAL
	L749X	D5242513	LVD® NOZZLE Ø 2.3 HD CP - CONICAL
	L20749X	D5242513	LVD® NOZZLE Ø 2.3 HD CP - CONICAL
	L147X	D5241856	LVD® NOZZLE Ø 2.5 HD CP - CONICAL
	L20147X	D5241856	LVD® NOZZLE Ø 2.5 HD CP - CONICAL
L148X	D5241857	LVD® NOZZLE Ø 3.0 HD CP - CONICAL	
L20148X	D5241857	LVD® NOZZLE Ø 3.0 HD CP - CONICAL	
L149X	D5241877	LVD® NOZZLE Ø 3.5 HD CP - CONICAL	
L20149X	D5241877	LVD® NOZZLE Ø 3.5 HD CP - CONICAL	
L283X	D5241878	LVD® NOZZLE Ø 4.0 HD CP - CONICAL	
L20283X	D5241878	LVD® NOZZLE Ø 4.0 HD CP - CONICAL	
2	L152-S	D5242453A	LVD® NOZZLE Ø 1.5 HD SPECIAL
	L146-S	D5242454A	LVD® NOZZLE Ø 2.0 HD SPECIAL
	L147-S	D5242416A	LVD® NOZZLE Ø 2.5 HD SPECIAL
	L148-S	D5242455 A	LVD® NOZZLE Ø 3.0 HD SPECIAL

TOLL FREE 888.558.1504 (USA and Canada) T. 724.352.1504 F. 724.352.4980 WWW.II-VIINFRARED.COM

All original equipment manufacturer's names, drawings, colors, trademarks and part numbers are used for identification purposes only and we are in no way implying that any of our products are original equipment parts. All parts advertised for sale in this catalog are made for and/or by II-VI Incorporated.





POS	II-VI P/N	OEM P/N	DESCRIPTION
1	L1290	G8040180	LVD® DOUBLE NOZZLE W/SPRING Ø 2.5 INNER Ø 1.3
	L1291	G8040135	LVD® DOUBLE NOZZLE W/SPRING Ø 2.5 INNER Ø 1.5
	L1292	G8040132	LVD® DOUBLE NOZZLE W/SPRING Ø 3.0 INNER Ø 2.0
	L1293	G8040182	LVD® DOUBLE NOZZLE W/SPRING Ø 3.0 INNER Ø 1.3
	L1294		LVD® DOUBLE NOZZLE W/SPRING Ø 3.0 INNER Ø 1.5
	L1290X	G8040180	LVD® DOUBLE NOZZLE W/SPRING Ø 2.5 INNER Ø 1.3 CP
	L1291X	G8040135	LVD® DOUBLE NOZZLE W/SPRING Ø 2.5 INNER Ø 1.5 CP
	L1292X	G8040132	LVD® DOUBLE NOZZLE W/SPRING Ø 3.0 INNER Ø 2.0 CP
	L1293X	G8040182	LVD® DOUBLE NOZZLE W/SPRING Ø 3.0 INNER Ø 1.3 CP
	L1294X		LVD® DOUBLE NOZZLE W/SPRING Ø 3.0 INNER Ø 1.5 CP
2	L783		LVD® DOUBLE NOZZLE Ø 1.0
	L782		LVD® DOUBLE NOZZLE Ø 1.2
	L784	29100304	LVD® DOUBLE NOZZLE Ø 1.5
	L785	29100307	LVD® DOUBLE NOZZLE Ø 2.0
	L786	29100305	LVD® DOUBLE NOZZLE Ø 2.5
	L787	29100306	LVD® DOUBLE NOZZLE Ø 3.0
	L788		LVD® DOUBLE NOZZLE Ø 3.5
	L789		LVD® DOUBLE NOZZLE Ø 4.0
	L783X		LVD® DOUBLE NOZZLE Ø 1,0 CP
	L782X		LVD® DOUBLE NOZZLE Ø 1.2 CP
	L784X		LVD® DOUBLE NOZZLE Ø 1,5 CP
	L785X		LVD® DOUBLE NOZZLE Ø 2,0 CP
	L786X		LVD® DOUBLE NOZZLE Ø 2,5 CP
	L787X		LVD® DOUBLE NOZZLE Ø 3,0 CP
	L788X		LVD® DOUBLE NOZZLE Ø 3,5 CP
	L789X		LVD® DOUBLE NOZZLE Ø 4,0 CP
3	L791	Z000000223A	LVD® DOUBLE NOZZLE Ø 3.0 - 1.7
	L790	G8040131	LVD® DOUBLE NOZZLE Ø 3.0 - 2.0
	L885	Z000001297	LVD® DOUBLE NOZZLE Ø 4.0 - 2.0
	L886	Z000001344	LVD® DOUBLE NOZZLE Ø 5.0 - 2.0

TOLL FREE 888.558.1504 (USA and Canada) T. 724.352.1504 F. 724.352.4980 WWW.IIVIINFRARED.COM

All original equipment manufacturer's names, drawings, colors, trademarks and part numbers are used for identification purposes only and we are in no way implying that any of our products are original equipment parts. All parts advertised for sale in this catalog are made for and/or by II-VI Incorporated.



FOR ALL OF YOUR REPLACEMENT OPTIC NEEDS

CO₂ LASER OPTICS/CONSUMABLE PRODUCTS
 CO₂ LASER CONSUMABLES
 NOZZLES & ACCESSORIES
 TRUMPF CUT LENSES
 MP-5 ULTRA-LOW ABSORPTION LENSES
 ASPHERIC LENSES
 MENISCUS LENSES
 PLANO-CONVEX LENSES
 CYLINDER LENSES
 MIRRORS
 SCANNING LASER SYSTEM OPTICS
 BEAM COMBINERS
 BEAM EXPANDERS
 BEAMSPLITTERS
 COLLIMATING OPTICS
 DIAMOND-TURNED SPECIALTY OPTICS
 REFLECTIVE PHASE RETARDERS
 PRISMS & RHOMBS
 MODULATORS
 WAVEPLATES
 THIN-FILM POLARIZERS
 POLARIZER-ANALYZER-ATTENUATOR

RESONATOR OPTICS
 OUTPUT COUPLERS
 REAR MIRRORS
 BAND-SELECTIVE OPTICS
 AR-COATED WINDOWS
 BREWSTER WINDOWS
 PROTECTIVE WINDOWS
 LENS STRESS ANALYZER(LSA)
 1 MICRON OPTICS
 1 MICRON OPTICAL COMPONENTS
 1 MICRON DEBRIS SHIELDS
 1 MICRON HPDDL BEAM INTEGRATORS
 1 MICRON OPTICAL COATINGS
 1 MICRON MATERIALS
 OPTICAL MATERIALS
 ZINC SELENIDE (ZNSE)
 ZINC SULFIDE (ZNS)
 ZINC SULFIDE MULTISPECTRAL (ZNS MS)
 GERMANIUM (GE)
 GALLIUM ARSENIDE (GAAS)
 MATERIAL BLANKS
 CVD DIAMOND SUBSTRATES
 IR THERMAL IMAGING OPTICS



TOLL FREE 888.558.1504 (USA and Canada) T. 724.352.1504 F. 724.352.4980 WWW.II-VIINFRARED.COM

All original equipment manufacturer's names, drawings, colors, trademarks and part numbers are used for identification purposes only and we are in no way implying that any of our products are original equipment parts. All parts advertised for sale in this catalog are made for and/or by II-VI Incorporated.



WORLDWIDE SALES OFFICES

To place an order, contact a II-VI sales representative at any of the following locations, or visit www.iiviiinfrared.com/contact for our most complete and up-to-date contact information.

**II-VI INFRARED**

375 SAXONBURG BLVD
SAXONBURG, PA 16056
UNITED STATES
888-558-1504 (Toll free in USA)
T. 724-352-1504
F. 724-352-4980
info@iiviiinfrared.com

II-VI WEST

36570 BRIGGS ROAD
MURRIETA, CA 92563
USA
800.262.5273 (Toll free in USA)
T. 951.926.7640
F. 951.926.8218
info@iiviiinfrared.com

II-VI BENELUX N.V.

BAAIKENSSTRAAT 21/2
B-9240 ZELE
BELGIUM
T. 32 (0) 52 45 86 10
F. 32 (0) 52 45 86 11
sales@ii-vi.be

II-VI DEUTSCHLAND GmbH

BRUNNENWEG 19-21
D-64331 WEITERSTADT
GERMANY
T. 49 6150 54 39-226
F. 49 6150 54 39-200
ir.Info.de@ii-vi.com

II-VI ITALIA S.r.l.

VIA ANDREA COSTA
31-20131 MILANO
ITALY
T. 39 02 2828740
F. 39 02 26149131
ir.info.it@ii-vi.com

II-VI SUISSE S.a.r.l.

MOULIN-DU-CHOC
1122 ROMANEL-SUR-MORGES
SWITZERLAND
T. 41 2186 902 52
F. 41 2186 993 08
info@ii-vi.ch

II-VI UK LTD.

UNIT 20B, OAKHAM ENTERPRISE
PARK, ASHWELL ROAD, OAKHAM,
RUTLAND, LE15 7TU
UNITED KINGDOM
T. 44 1572 771 778
F. 44 1572 771 779
sales@ii-vi.co.uk

II-VI JAPAN

WBG MARIVE EAST 26F
NAKASE 2-6-1
MIHAMA-KU, CHIBA-SHI
CHIBA 261-7126
JAPAN
T. 81 43297 2693
F. 81 43297 3003
center@ii-vi.co.jp

II-VI SINGAPORE PTE. LTD.

BLK. 5012, TECHPLACE II
#04-07 & 05-07/12,
ANG MO KIO AVE. 5
SINGAPORE 569876
T. 65 6481 8215
F. 65 6481 8702
ir.sales.sg@ii-vi.com

II-VI INFRARED LASER(SUZHOU)

BLOCK D#01-01/02
NO. 5 XING HAN STREET
SUZHOU INDUSTRIAL PARK
SUZHOU, CHINA 215101
T. 86 512 6761 9295
F. 86 512 6767 1207
infosz@ii-vi.com.cn

II-VI KOREA

WEST 1502 HANSHIN INTERVALLEY
322 TEHERAN-RO
SEOUL, KOREA 06211
T. 82 2 6242 2626
F. 82 2 6242 2627
jchoi@ii-vi.com

II-VI TAIWAN

8FL, 285 SEC 2 TIDING BLVD.
TAIPEI 114, TAIWAN
REPUBLIC OF CHINA
T. 886 2 87512155
F. 886 2 26582276
ir.sales.tw@ii-vi.com