

II-VI INFRARED

www.iiviinfrared.com

CO₂ & FIBER LASER NOZZLES AND ACCESSORIES



MAZAK®



TOLL FREE 888.558.1504 (USA and Canada)
TEL. 724.352.1504 FAX. 724.352.4980



About II-VI INFRARED

In 1971, II-VI Incorporated began by exclusively producing the highest-quality cadmium telluride (CdTe) material available for manufacturing high-power industrial CO₂ laser optics. Today, we have diversified into producing zinc selenide (ZnSe) material, as well as into numerous business units including laser tools for materials processing (HIGHYAG); near-infrared optics, YAG components, and telecommunications components (VLOC); fiber optics, projection and display optics, DPSS laser, crystal materials, and other photonics products (Photop); defense and aerospace optics (Exotic Electro-Optics); tellurium and selenium products (PRM); thermoelectric cooling devices (Marlow Industries); silicon carbide (II-VI WBG); and advanced materials development (II-VI AMDC). Given this diversity of II-VI Incorporated's business units, we have thus christened our original IR materials and optics business unit II-VI Infrared.

As II-VI Incorporated continues to grow, II-VI Infrared focuses on the company's original, industry-leading products: infrared and CO₂ laser optics and materials. And thanks to decades of innovation in zinc selenide (ZnSe) and zinc sulfide (ZnS) materials processing, thin-film coating, precision diamond turning, and finished optics fabrication, II-VI Infrared is the world leader in CO₂ laser optics, delivering an unbeatable combination of innovation, quality, and expertise. II-VI Infrared also delivers the largest vertically integrated CO₂ laser optics manufacturing process -- from raw materials to finished coated products -- in the world.

An optics foundry to CO₂ laser original equipment manufacturers (OEMs) the world over, consistently building optics to spec with consistent performance and quality, II-VI Infrared's products range from replacement CO₂ laser optics and nozzles to lenses, partial reflectors, windows, beamsplitters, mirrors, beam expanders, reflective phase retarders, scanning-laser system optics, diamond-turned custom optics, IR optical materials (ZnSe, ZnS, CVD Diamond), and more. Our products and reputation make us the number-one supplier to OEMs of CO₂ laser systems worldwide, while our capabilities are without rival in the industry.

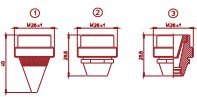
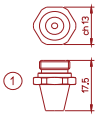
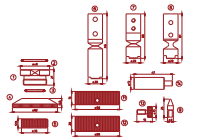

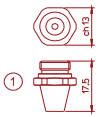
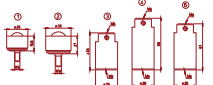

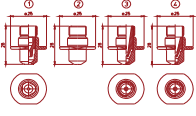

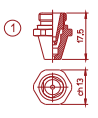

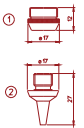
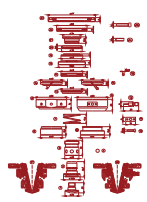


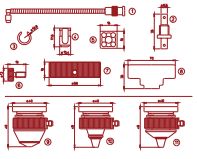
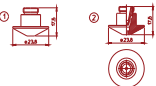
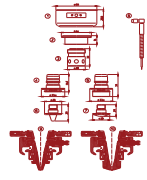

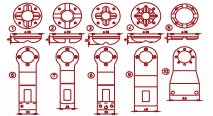

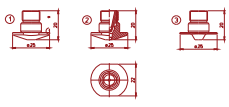
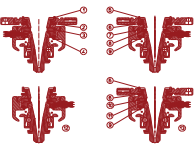

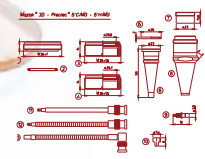
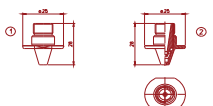

Our diamond-turning facility is among the largest and most advanced in the world, offering services such as flycutting and multiple-axis turning, as well as fast and slow tool servos for custom optics. Single-point diamond-turning is used in finishing transmissive optics and mirrors in a variety of metals and IR materials.

Major investments in computer design programs, thin film evaporation equipment, clean rooms, and QA testing facilities enable us to offer a broad range of IR thin-film coatings. II-VI Infrared is known for designing and producing consistently low-absorption coatings for high-power CO₂ laser optics. Additionally, our talented and experienced engineering team using optical design software and CAD systems, designs and builds standard and custom optics as well as specialized mounts, components, and electro-optic assemblies.

Our quality assurance program includes comprehensive testing, documentation, and statistical analysis to ensure that each optic and component performs to customer requirements.

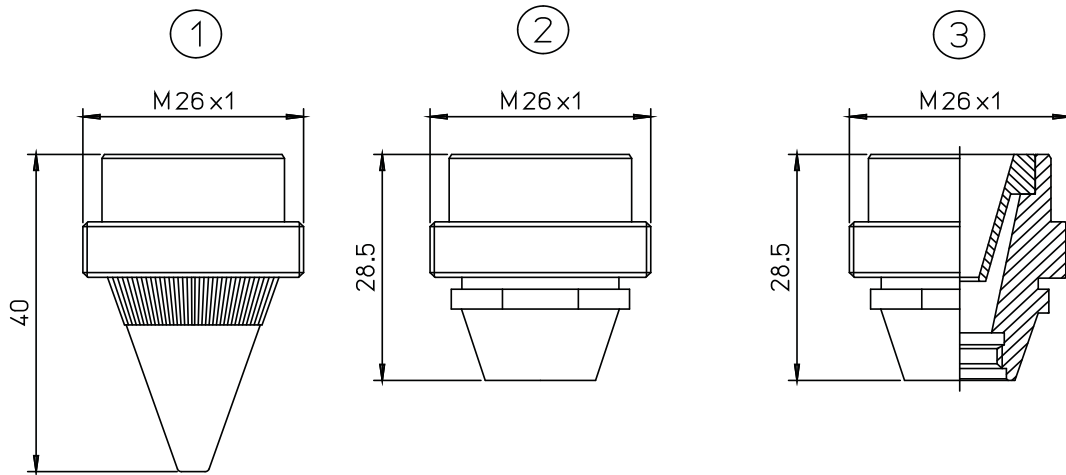


MAZAK[®] CONTENTS

 <p>3-4</p>	 <p>13-14</p>	 <p>23-24</p>		
 <p>5-6</p>	 <p>15-16</p>	 <p>25-26</p>	 <p>35-36</p>	 <p>45-46</p>
 <p>7-8</p>	 <p>17-18</p>	 <p>27-28</p>	 <p>37-38</p>	 <p>47-48</p>
 <p>9-10</p>	 <p>19-20</p>	 <p>29-30</p>	 <p>39-40</p>	 <p>49-50</p>
 <p>11-12</p>	 <p>21-22</p>	 <p>31-32</p>	 <p>41-42</p>	 <p>51-52</p>
		 <p>33-34</p>	 <p>43-44</p>	 <p>53-54</p>

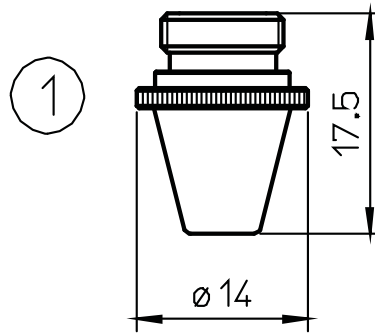
TOLL FREE 888.558.1504 (USA and Canada) T. 724.352.1504 F. 724.352.4980 WWW.IIVIINFRARED.COM

All original equipment manufacturer's names, drawings, colors, trademarks and part numbers are used for identification purposes only and we are in no way implying that any of our products are original equipment parts. All parts advertised for sale in this catalog are made for and/or by II-VI Incorporated.



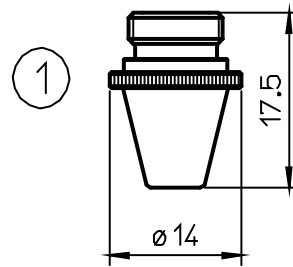


POS	II-VI P/N	OEM P/N	DESCRIPTION
1	L61	46523300060	MAZAK® NOZZLE Ø 1.0
	L60	46523300062	MAZAK® NOZZLE Ø 1.2
	L84	46523300061	MAZAK® NOZZLE Ø 1.5
	L4	46523300061	MAZAK® NOZZLE Ø 1.7
	L331		MAZAK® NOZZLE Ø 1.8
	L51	46523300063	MAZAK® NOZZLE Ø 2.0
	L333	46523300063	MAZAK® NOZZLE Ø 2.5
2	AL11	46603350510	MAZAK® NOZZLE ADAPTER BODY
3	AL44		MAZAK® NOZZLE ADAPTER



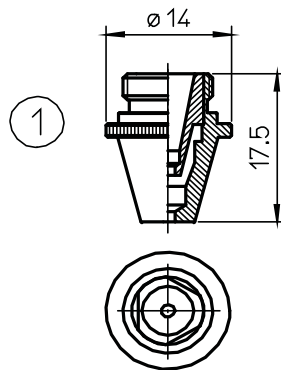


POS	II-VI P/N	OEM P/N	DESCRIPTION
1	L78	46603350508	MAZAK® NOZZLE Ø 0.8
	L3078	46603350508	MAZAK® NOZZLE Ø 0.8
	L69	46603350511	MAZAK® NOZZLE Ø 1.0
	L3069	46603350511	MAZAK® NOZZLE Ø 1.0
	L77	46603350512	MAZAK® NOZZLE Ø 1.2
	L3077	46603350512	MAZAK® NOZZLE Ø 1.2
	L127	4660335052B	MAZAK® NOZZLE Ø 1.5
	L30127	4660335052B	MAZAK® NOZZLE Ø 1.5
	L79	46603350517	MAZAK® NOZZLE Ø 1.7
	L3079	46603350517	MAZAK® NOZZLE Ø 1.7
	L281	46603350517-1,8	MAZAK® NOZZLE Ø 1.8
	L30281	46603350517-1,8	MAZAK® NOZZLE Ø 1.8
	L80	4660335052C	MAZAK® NOZZLE Ø 2.0
	L3080	4660335052C	MAZAK® NOZZLE Ø 2.0
	L282	46603350522-2,2	MAZAK® NOZZLE Ø 2.2
	L30282	46603350522-2,2	MAZAK® NOZZLE Ø 2.2
	L124	46603350525	MAZAK® NOZZLE Ø 2.5
	L30124	46603350525	MAZAK® NOZZLE Ø 2.5
	L150	46603350530	MAZAK® NOZZLE Ø 3.0
	L30150	46603350530	MAZAK® NOZZLE Ø 3.0
	L708	46603350530-3,5	MAZAK® NOZZLE Ø 3.5
		Q660335052F	
	L30708	46603350530-3,5	MAZAK® NOZZLE Ø 3.5
	L709	46603350530-4,0	MAZAK® NOZZLE Ø 4.0
	L30709	46603350530-4,0	MAZAK® NOZZLE Ø 4.0
	L710	46603350530-4,5	MAZAK® NOZZLE Ø 4.5
	L30710	46603350530-4,5	MAZAK® NOZZLE Ø 4.5
	L711	46603350530-5,0	MAZAK® NOZZLE Ø 5.0
	L30711	46603350530-5,0	MAZAK® NOZZLE Ø 5.0





POS	II-VI P/N	OEM P/N	DESCRIPTION
1	L78X	46603350508	MAZAK® NOZZLE Ø 0.8 CP
	L3078X	46603350508	MAZAK® NOZZLE Ø 0.8 CP
	L69X	46603350511	MAZAK® NOZZLE Ø 1.0 CP
	L3069X	46603350511	MAZAK® NOZZLE Ø 1.0 CP
	L77X	46603350512	MAZAK® NOZZLE Ø 1.2 CP
	L3077X	46603350512	MAZAK® NOZZLE Ø 1.2 CP
	L127X	4660335052B	MAZAK® NOZZLE Ø 1.5 CP
	L30127X	4660335052B	MAZAK® NOZZLE Ø 1.5 CP
	L79X	46603350517	MAZAK® NOZZLE Ø 1.7 CP
	L3079X	46603350517	MAZAK® NOZZLE Ø 1.7 CP
	L281X	46603350517-1,8	MAZAK® NOZZLE Ø 1.8 CP
	L30281X	46603350517-1,8	MAZAK® NOZZLE Ø 1.8 CP
	L80X	4660335052C	MAZAK® NOZZLE Ø 2.0 CP
	L3080X	4660335052C	MAZAK® NOZZLE Ø 2.0 CP
	L282X	46603350522-2,2	MAZAK® NOZZLE Ø 2.2 CP
	L30282X	46603350522-2,2	MAZAK® NOZZLE Ø 2.2 CP
	L124X	46603350525	MAZAK® NOZZLE Ø 2.5 CP
	L30124X	46603350525	MAZAK® NOZZLE Ø 2.5 CP
	L150X	46603350530	MAZAK® NOZZLE Ø 3.0 CP
	L30150X	46603350530	MAZAK® NOZZLE Ø 3.0 CP
	L708X	46603350530-3,5	MAZAK® NOZZLE Ø 3.5 CP
	L30708X	46603350530-3,5	MAZAK® NOZZLE Ø 3.5 CP
	L709X	46603350530-4,0	MAZAK® NOZZLE Ø 4.0 CP
	L30709X	46603350530-4,0	MAZAK® NOZZLE Ø 4.0 CP
	L710X	46603350530-4,5	MAZAK® NOZZLE Ø 4.5 CP
	L30710X	46603350530-4,5	MAZAK® NOZZLE Ø 4.5 CP
	L711X	46603350530-5,0	MAZAK® NOZZLE Ø 5.0 CP
	L30711X	46603350530-5,0	MAZAK® NOZZLE Ø 5.0 CP

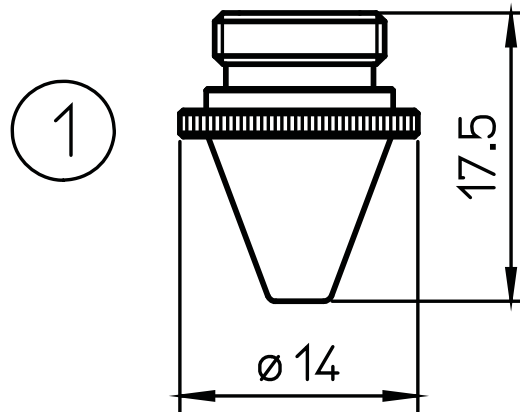




POS	II-VI P/N	OEM P/N	DESCRIPTION	
1	L615		MAZAK® DOUBLE NOZZLE Ø 1.0	
	L30615		MAZAK® DOUBLE NOZZLE Ø 1.0	
	L616		MAZAK® DOUBLE NOZZLE Ø 1.2	
	L30616		MAZAK® DOUBLE NOZZLE Ø 1.2	
	L617		MAZAK® DOUBLE NOZZLE Ø 1.5	
	L30617		MAZAK® DOUBLE NOZZLE Ø 1.5	
	L618		MAZAK® DOUBLE NOZZLE Ø 1.7	
	L30618		MAZAK® DOUBLE NOZZLE Ø 1.7	
	L619		MAZAK® DOUBLE NOZZLE Ø 1.8	
	L30619		MAZAK® DOUBLE NOZZLE Ø 1.8	
	L620		MAZAK® DOUBLE NOZZLE Ø 2.0	
	L30620		MAZAK® DOUBLE NOZZLE Ø 2.0	
	L621		MAZAK® DOUBLE NOZZLE Ø 2.2	
	L30621		MAZAK® DOUBLE NOZZLE Ø 2.2	
	L622		MAZAK® DOUBLE NOZZLE Ø 2.5	
	L30622		MAZAK® DOUBLE NOZZLE Ø 2.5	
	L623		MAZAK® DOUBLE NOZZLE Ø 3.0	
	L30623		MAZAK® DOUBLE NOZZLE Ø 3.0	
	L615X			MAZAK® DOUBLE NOZZLE Ø 1.0 CP
	L30615X			MAZAK® DOUBLE NOZZLE Ø 1.0 CP
	L616X			MAZAK® DOUBLE NOZZLE Ø 1.2 CP
	L30616X			MAZAK® DOUBLE NOZZLE Ø 1.2 CP
	L617X	46683302380		MAZAK® DOUBLE NOZZLE Ø 1.5 CP
	L30617X			MAZAK® DOUBLE NOZZLE Ø 1.5 CP
	L618X			MAZAK® DOUBLE NOZZLE Ø 1.7 CP
	L30618X			MAZAK® DOUBLE NOZZLE Ø 1.7 CP
	L619X			MAZAK® DOUBLE NOZZLE Ø 1.8 CP
	L30619X			MAZAK® DOUBLE NOZZLE Ø 1.8 CP
	L620X	46683302390		MAZAK® DOUBLE NOZZLE Ø 2.0 CP
	L30620X			MAZAK® DOUBLE NOZZLE Ø 2.0 CP
	L621X			MAZAK® DOUBLE NOZZLE Ø 2.2 CP
	L30621X			MAZAK® DOUBLE NOZZLE Ø 2.2 CP
L622X	46683302400		MAZAK® DOUBLE NOZZLE Ø 2.5 CP	
L30622X			MAZAK® DOUBLE NOZZLE Ø 2.5 CP	
L623X	46683302410		MAZAK® DOUBLE NOZZLE Ø 3.0 CP	
L30623X			MAZAK® DOUBLE NOZZLE Ø 3.0 CP	

TOLL FREE 888.558.1504 (USA and Canada) T. 724.352.1504 F. 724.352.4980 WWW.IIVIINFRARED.COM

All original equipment manufacturer's names, drawings, colors, trademarks and part numbers are used for identification purposes only and we are in no way implying that any of our products are original equipment parts. All parts advertised for sale in this catalog are made for and/or by II-VI Incorporated.

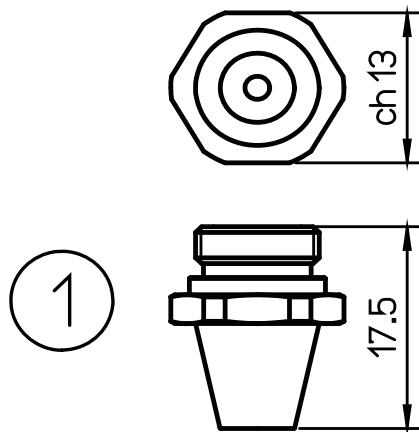




POS	II-VI P/N	OEM P/N	DESCRIPTION	
1	L266	46603350521	MAZAK® NOZZLE Ø 0.8	
	L30266	46603350521	MAZAK® NOZZLE Ø 0.8	
	L250	46603350521	MAZAK® NOZZLE Ø 1.0	
	L30250	46603350521	MAZAK® NOZZLE Ø 1.0	
	L251	46603350521	MAZAK® NOZZLE Ø 1.2	
	L30251	46603350521	MAZAK® NOZZLE Ø 1.2	
	L252	46603350520	MAZAK® NOZZLE Ø 1.5	
	L30252	46603350520	MAZAK® NOZZLE Ø 1.5	
	L253	46603350521	MAZAK® NOZZLE Ø 1.7	
	L30253	46603350521	MAZAK® NOZZLE Ø 1.7	
	L254	46603350522	MAZAK® NOZZLE Ø 2.0	
	L30254	46603350522	MAZAK® NOZZLE Ø 2.0	
	L770	46603350522	MAZAK® NOZZLE Ø 2.5	
	L30770	46603350522	MAZAK® NOZZLE Ø 2.5	
	L771	46683301281	MAZAK® NOZZLE Ø 3.0	
	L30771	46683301281	MAZAK® NOZZLE Ø 3.0	
	L266X	46603350521	MAZAK® NOZZLE Ø 0.8 CP	
	L30266X	46603350521	MAZAK® NOZZLE Ø 0.8 CP	
	L250X	46603350521	MAZAK® NOZZLE Ø 1.0 CP	
	L30250X	46603350521	MAZAK® NOZZLE Ø 1.0 CP	
	L251X	46603350521	MAZAK® NOZZLE Ø 1.2 CP	
	L30251X	46603350521	MAZAK® NOZZLE Ø 1.2 CP	
	L252X	46603350520	MAZAK® NOZZLE Ø 1.5 CP	
	L30252X	46603350520	MAZAK® NOZZLE Ø 1.5 CP	
	L253X	46603350521	MAZAK® NOZZLE Ø 1.7 CP	
	L30253X	46603350521	MAZAK® NOZZLE Ø 1.7 CP	
	L254X	46603350522	MAZAK® NOZZLE Ø 2.0 CP	
	L30254X	46603350522	MAZAK® NOZZLE Ø 2.0 CP	
	L770X	46603350522	MAZAK® NOZZLE Ø 2.5 CP	
	L30770X	46603350522	MAZAK® NOZZLE Ø 2.5 CP	
	L771X	46683301281	MAZAK® NOZZLE Ø 3.0 CP	
L30771X	46683301281	MAZAK® NOZZLE Ø 3.0 CP		

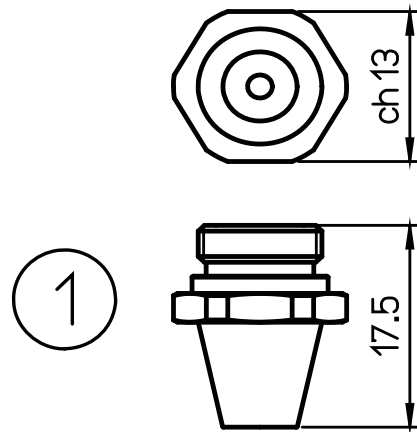
TOLL FREE 888.558.1504 (USA and Canada) T. 724.352.1504 F. 724.352.4980 WWW.IIVIINFRARED.COM

All original equipment manufacturer's names, drawings, colors, trademarks and part numbers are used for identification purposes only and we are in no way implying that any of our products are original equipment parts. All parts advertised for sale in this catalog are made for and/or by II-VI Incorporated.





POS	II-VI P/N	OEM P/N	DESCRIPTION
1	L725	46603350508	MAZAK® HEXAGONAL NOZZLE Ø 0.8
	L30725	46603350508	MAZAK® HEXAGONAL NOZZLE Ø 0.8
	L726	46603350511	MAZAK® HEXAGONAL NOZZLE Ø 1.0
	L30726	46603350511	MAZAK® HEXAGONAL NOZZLE Ø 1.0
	L727	4660335052A	MAZAK® HEXAGONAL NOZZLE Ø 1.2
	L30727	4660335052A	MAZAK® HEXAGONAL NOZZLE Ø 1.2
	L728	4660335052B	MAZAK® HEXAGONAL NOZZLE Ø 1.5
	L30728	4660335052B	MAZAK® HEXAGONAL NOZZLE Ø 1.5
	L729	46603350517	MAZAK® HEXAGONAL NOZZLE Ø 1.7
	L30729	46603350517	MAZAK® HEXAGONAL NOZZLE Ø 1.7
	L730	46603350517-1,8	MAZAK® HEXAGONAL NOZZLE Ø 1.8
	L30730	46603350517-1,8	MAZAK® HEXAGONAL NOZZLE Ø 1.8
	L731	4660335052C	MAZAK® HEXAGONAL NOZZLE Ø 2.0
	L30731	4660335052C	MAZAK® HEXAGONAL NOZZLE Ø 2.0
	L732	46603350522-2,2	MAZAK® HEXAGONAL NOZZLE Ø 2.2
	L30732	46603350522-2,2	MAZAK® HEXAGONAL NOZZLE Ø 2.2
	L733	4660335052D	MAZAK® HEXAGONAL NOZZLE Ø 2.5
	L30733	4660335052D	MAZAK® HEXAGONAL NOZZLE Ø 2.5
	L734	46603350530	MAZAK® HEXAGONAL NOZZLE Ø 3.0
	L30734	46603350530	MAZAK® HEXAGONAL NOZZLE Ø 3.0
L735	46603350530-3,5	MAZAK® HEXAGONAL NOZZLE Ø 3.5	
L30735	46603350530-3,5	MAZAK® HEXAGONAL NOZZLE Ø 3.5	
L736	46603350530-4,0	MAZAK® HEXAGONAL NOZZLE Ø 4.0	
L30736	46603350530-4,0	MAZAK® HEXAGONAL NOZZLE Ø 4.0	
L737	46603350530-4,5	MAZAK® HEXAGONAL NOZZLE Ø 4.5	
L30737	46603350530-4,5	MAZAK® HEXAGONAL NOZZLE Ø 4.5	

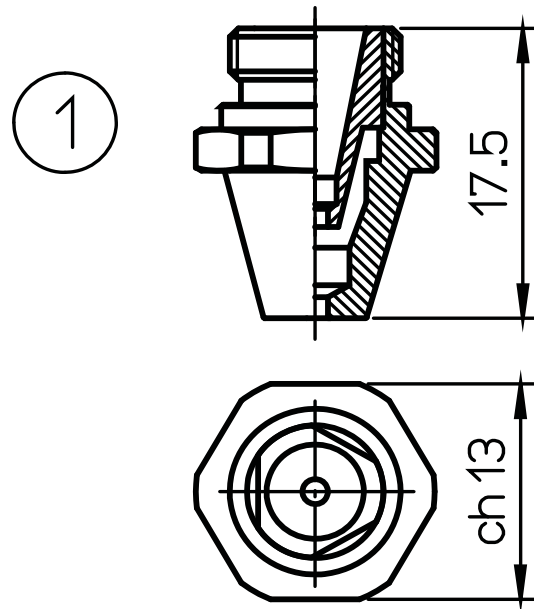




POS	II-VI P/N	OEM P/N	DESCRIPTION
1	L725X	46603350508	MAZAK® HEXAGONAL NOZZLE Ø 0.8 CP
	L30725X	46603350508	MAZAK® HEXAGONAL NOZZLE Ø 0.8 CP
	L726X	46603350511	MAZAK® HEXAGONAL NOZZLE Ø 1.0 CP
	L30726X	46603350511	MAZAK® HEXAGONAL NOZZLE Ø 1.0 CP
	L727X	4660335052A	MAZAK® HEXAGONAL NOZZLE Ø 1.2 CP
	L30727X	4660335052A	MAZAK® HEXAGONAL NOZZLE Ø 1.2 CP
	L728X	4660335052B	MAZAK® HEXAGONAL NOZZLE Ø 1.5 CP
	L30728X	4660335052B	MAZAK® HEXAGONAL NOZZLE Ø 1.5 CP
	L729X	46603350517	MAZAK® HEXAGONAL NOZZLE Ø 1.7 CP
	L30729X	46603350517	MAZAK® HEXAGONAL NOZZLE Ø 1.7 CP
	L730X	46603350517-1,8	MAZAK® HEXAGONAL NOZZLE Ø 1.8 CP
	L30730X	46603350517-1,8	MAZAK® HEXAGONAL NOZZLE Ø 1.8 CP
	L731X	4660335052C	MAZAK® HEXAGONAL NOZZLE Ø 2.0 CP
	L30731X	4660335052C	MAZAK® HEXAGONAL NOZZLE Ø 2.0 CP
	L732X	46603350522-2,2	MAZAK® HEXAGONAL NOZZLE Ø 2.2 CP
	L30732X	46603350522-2,2	MAZAK® HEXAGONAL NOZZLE Ø 2.2 CP
	L733X	4660335052D	MAZAK® HEXAGONAL NOZZLE Ø 2.5 CP
	L30733X	4660335052D	MAZAK® HEXAGONAL NOZZLE Ø 2.5 CP
	L734X	46603350530	MAZAK® HEXAGONAL NOZZLE Ø 3.0 CP
	L30734X	46603350530	MAZAK® HEXAGONAL NOZZLE Ø 3.0 CP
	L735X	46603350530-3,5	MAZAK® HEXAGONAL NOZZLE Ø 3.5 CP
	L30735X	46603350530-3,5	MAZAK® HEXAGONAL NOZZLE Ø 3.5 CP
	L736X	46603350530-4,0	MAZAK® HEXAGONAL NOZZLE Ø 4.0 CP
	L30736X	46603350530-4,0	MAZAK® HEXAGONAL NOZZLE Ø 4.0 CP
L737X	46603350530-4,5	MAZAK® HEXAGONAL NOZZLE Ø 4.5 CP	
L30737X	46603350530-4,5	MAZAK® HEXAGONAL NOZZLE Ø 4.5 CP	

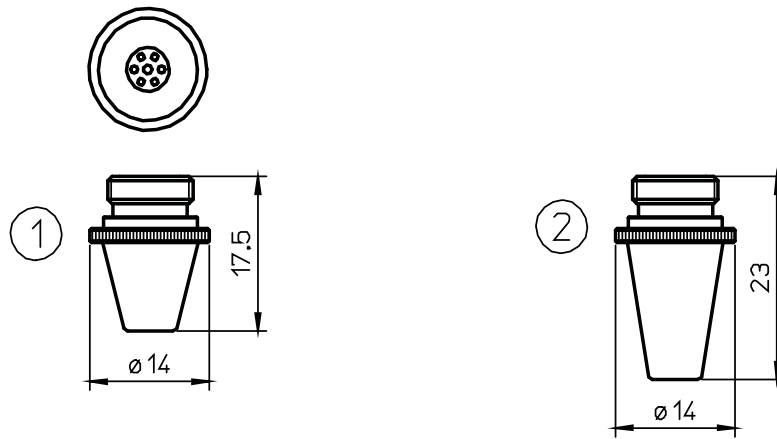
TOLL FREE 888.558.1504 (USA and Canada) T. 724.352.1504 F. 724.352.4980 WWW.IIVIINFRARED.COM

All original equipment manufacturer's names, drawings, colors, trademarks and part numbers are used for identification purposes only and we are in no way implying that any of our products are original equipment parts. All parts advertised for sale in this catalog are made for and/or by II-VI Incorporated.



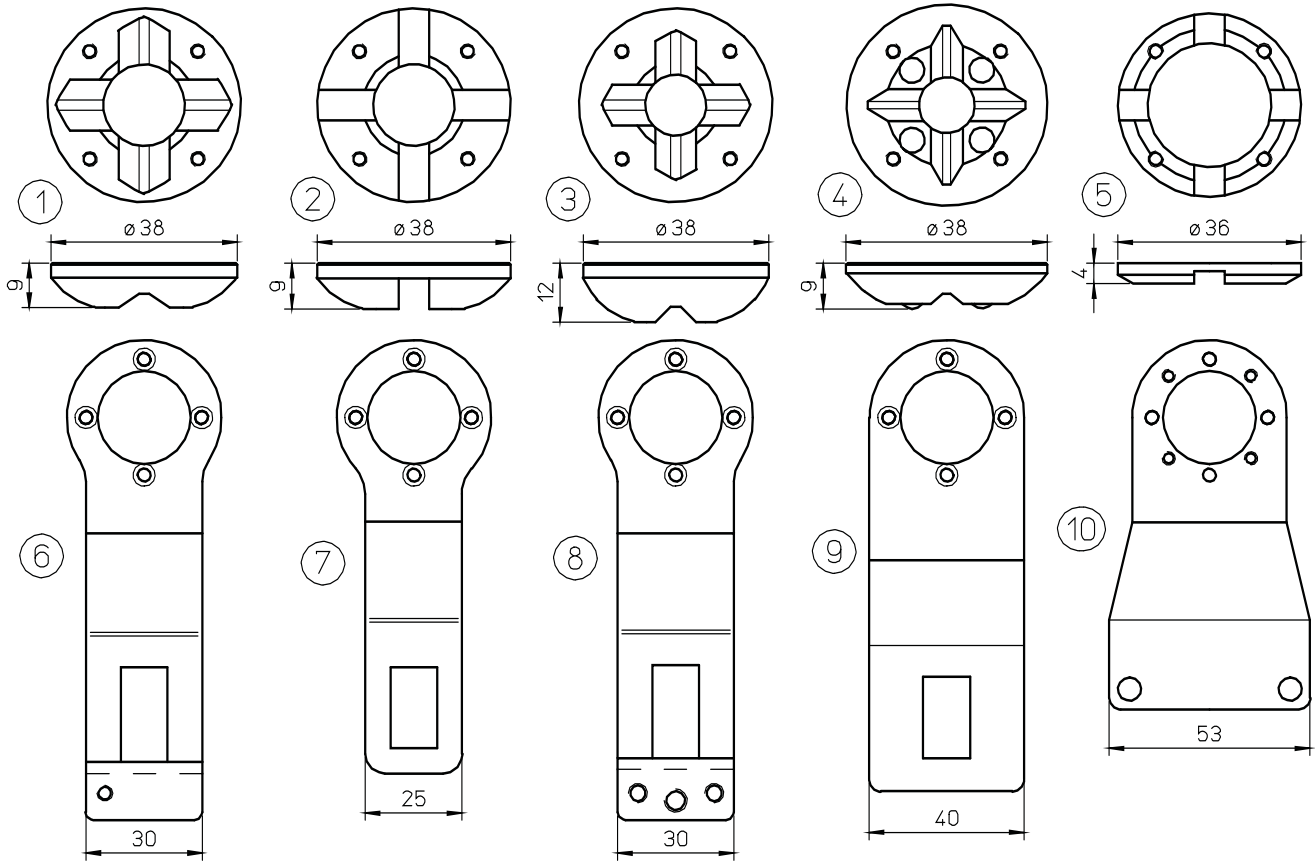


POS	II-VI P/N	OEM P/N	DESCRIPTION	
1	L1223		MAZAK® DOUBLE NOZZLE HEXAGONAL Ø 1.2	
	L301223		MAZAK® DOUBLE NOZZLE HEXAGONAL Ø 1.2	
	L1224		MAZAK® DOUBLE NOZZLE HEXAGONAL Ø 1.5	
	L301224		MAZAK® DOUBLE NOZZLE HEXAGONAL Ø 1.5	
	L1225		MAZAK® DOUBLE NOZZLE HEXAGONAL Ø 1.8	
	L301225		MAZAK® DOUBLE NOZZLE HEXAGONAL Ø 1.8	
	L1226		MAZAK® DOUBLE NOZZLE HEXAGONAL Ø 2.0	
	L301226		MAZAK® DOUBLE NOZZLE HEXAGONAL Ø 2.0	
	L1227		MAZAK® DOUBLE NOZZLE HEXAGONAL Ø 2.2	
	L301227		MAZAK® DOUBLE NOZZLE HEXAGONAL Ø 2.2	
	L1228		MAZAK® DOUBLE NOZZLE HEXAGONAL Ø 2.5	
	L301228		MAZAK® DOUBLE NOZZLE HEXAGONAL Ø 2.5	
	L1229		MAZAK® DOUBLE NOZZLE HEXAGONAL Ø 3.0	
	L301229		MAZAK® DOUBLE NOZZLE HEXAGONAL Ø 3.0	
	L1223X		MAZAK® DOUBLE NOZZLE HEXAGONAL Ø 1.2 CP	
	L301223X		MAZAK® DOUBLE NOZZLE HEXAGONAL Ø 1.2 CP	
	L1224X		MAZAK® DOUBLE NOZZLE HEXAGONAL Ø 1.5 CP	
	L301224X		MAZAK® DOUBLE NOZZLE HEXAGONAL Ø 1.5 CP	
	L1225X		MAZAK® DOUBLE NOZZLE HEXAGONAL Ø 1.8 CP	
	L301225X		MAZAK® DOUBLE NOZZLE HEXAGONAL Ø 1.8 CP	
	L1226X		MAZAK® DOUBLE NOZZLE HEXAGONAL Ø 2.0 CP	
	L301226X		MAZAK® DOUBLE NOZZLE HEXAGONAL Ø 2.0 CP	
	L1227X		MAZAK® DOUBLE NOZZLE HEXAGONAL Ø 2.2 CP	
	L301227X		MAZAK® DOUBLE NOZZLE HEXAGONAL Ø 2.2 CP	
	L1228X		MAZAK® DOUBLE NOZZLE HEXAGONAL Ø 2.5 CP	
	L301228X		MAZAK® DOUBLE NOZZLE HEXAGONAL Ø 2.5 CP	
	L1229X		MAZAK® DOUBLE NOZZLE HEXAGONAL Ø 3.0 CP	
	L301229X		MAZAK® DOUBLE NOZZLE HEXAGONAL Ø 3.0 CP	



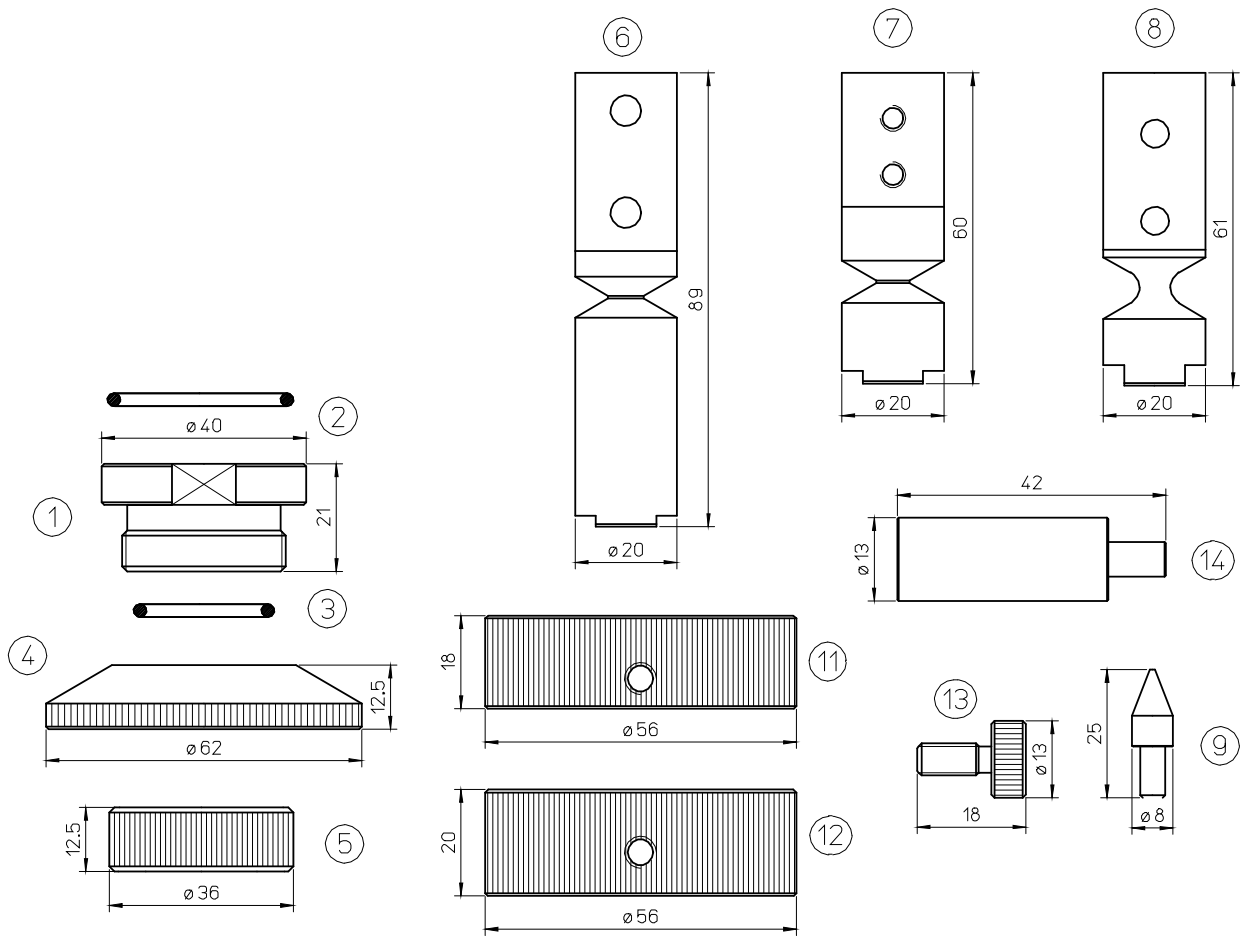


POS	II-VI P/N	OEM P/N	DESCRIPTION
1	L492	46603350523	MAZAK® NOZZLE Ø 1.0 SHOWER
	L493		MAZAK® NOZZLE Ø 1.5 SHOWER
	L497		MAZAK® NOZZLE Ø 2.0 SHOWER
2	L284		MAZAK® LONG NOZZLE Ø 2.0
	L285		MAZAK® LONG NOZZLE Ø 2.5
	L286		MAZAK® LONG NOZZLE Ø 3.0
	L373X		MAZAK® LONG NOZZLE Ø 1.5 CP
	L284X		MAZAK® LONG NOZZLE Ø 2.0 CP
	L285X		MAZAK® LONG NOZZLE Ø 2.5 CP
	L286X		MAZAK® LONG NOZZLE Ø 3.0 CP



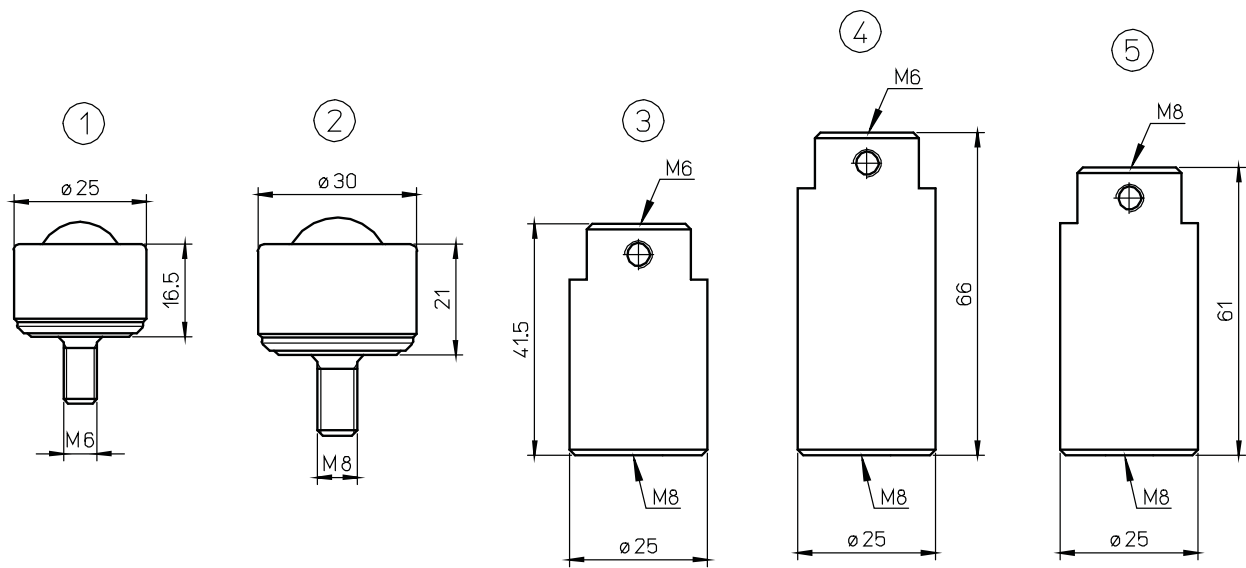


POS	II-VI P/N	OEM P/N	DESCRIPTION
1	AL10	46602350080	MAZAK® STYLUS FOOT H9 - BRASS
	AL145		MAZAK® STYLUS FOOT H9 - BRASS CP
	AL15	46572301043	MAZAK® STYLUS FOOT H9 - STEEL
	AL16	46572301045	MAZAK® STYLUS FOOT H9 - PTFE
2	AL132		MAZAK® STYLUS FOOT H9 - BRASS
	AL146		MAZAK® STYLUS FOOT H9 - BRASS CP
	AL133		MAZAK® STYLUS FOOT H9 - STEEL
3	AL17	46572301041	MAZAK® STYLUS FOOT H12 - BRASS
	AL147		MAZAK® STYLUS FOOT H12 BRASS CP
	AL59	46572301042	MAZAK® STYLUS FOOT H12 - STEEL
	AL18	46572301041	MAZAK® STYLUS FOOT H12 - PTFE
4	AL39		MAZAK® STYLUS FOOT H9-BRASS WITH SPHERE
5	AL117	46512300520	MAZAK® STYLUS FOOT H4 - BRASS
6	AL64		MAZAK® STYLUS ARM WITH SCREW M4
	AL66	36602300580	MAZAK® STYLUS ARM WITH SCREW M6
7	AL60	36602300560-36682300050	MAZAK® STEEL STYLUS ARM
8	AL167	36682300281	MAZAK® STYLUS ARM - STEEL
9	AL168	36602350020	MAZAK® STYLUS ARM - HIGHER VERSION
10	AL169	46522300250	MAZAK® STYLUS ARM



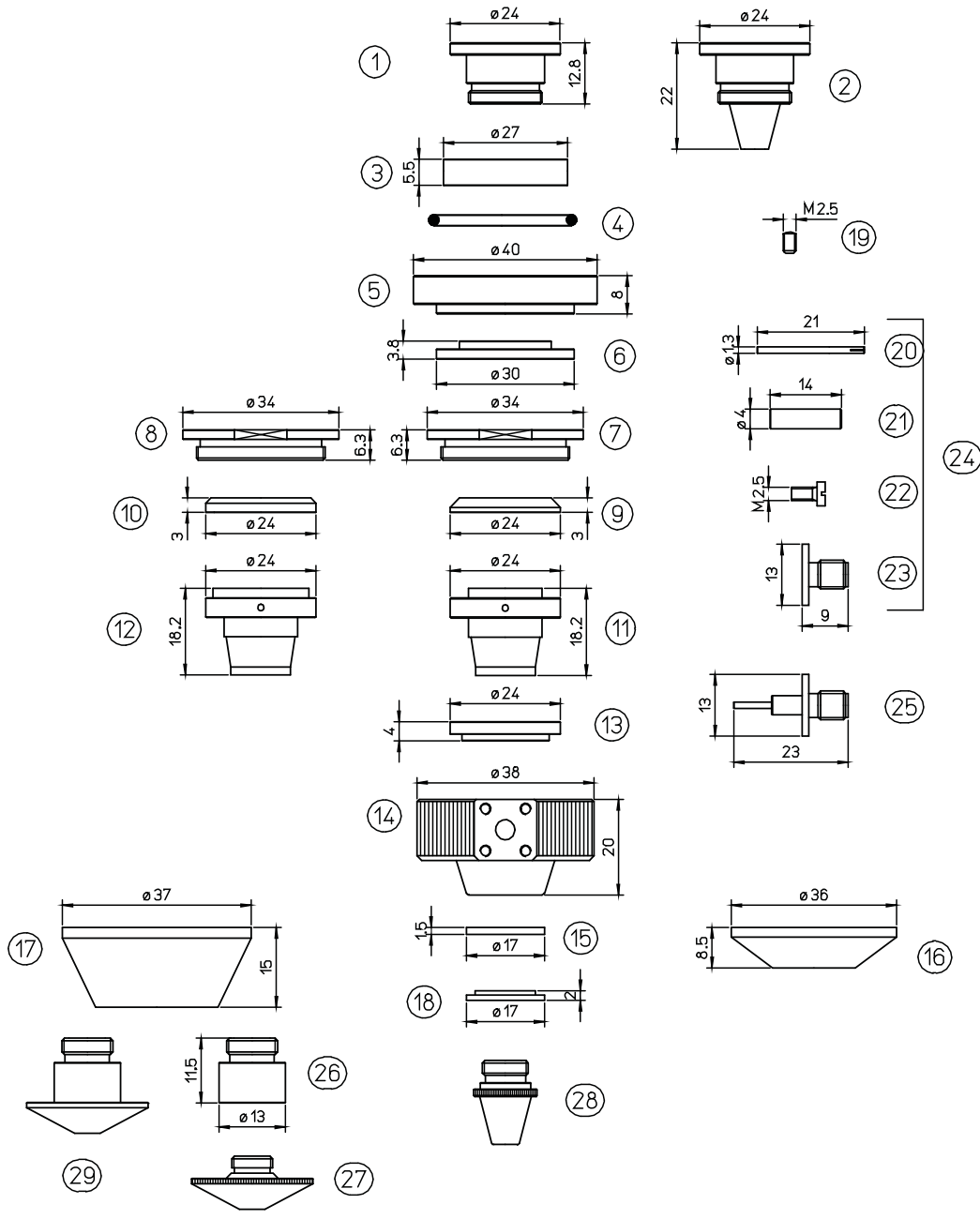


POS	II-VI P/N	OEM P/N	DESCRIPTION
1	AL63	46523300080	MAZAK® BASE
2	AL97	J2600S03200	MAZAK® O'RING EXTERNAL BASE - RUBBER
3	AL98	J2600S02200	MAZAK® O'RING INTERNAL BASE
4	AL57	46683300030	MAZAK® RETAINER
5	AL13	46583301720	MAZAK® RETAINER NUT
6	AL12	36602300230	MAZAK® BREAK-AWAY BAR L89 - M8
7	AL14	36682300280	MAZAK® ALUMINIUM BREAK-AWAY BAR L60 - M8
8	AL121	36572300101	MAZAK® BREAK AWAY BAR L61 - M6
9	AL20	46600030013	MAZAK® TABLE PIN - 5PC
11	AL153	46683300930	MAZAK® RING
	AL166		MAZAK® RING KIT - AL153 + 4 PCS AL152
12	AL192		MAZAK® RING H20
13	AL152	46683300032	MAZAK® MILD STEEL BOLT M5 X 0.5
14	AL186	46522300242	MAZAK® STYLUS PIN





POS	II-VI P/N	OEM P/N	DESCRIPTION
1	AL61	Z21KV000580	MAZAK® FREE TABLE ROLLER
	AL325	Z21KV000580	MAZAK® FREE TABLE ROLLER PKG 2
	AL3061	Z21KV000580	MAZAK® FREE TABLE ROLLER PKG 10
2	AL210	Z21ZZ001160	MAZAK® BIG FREE BALL
3	AL62	46575100321	MAZAK® BLOCK STAINLESS STEEL
4	AL134	46705100050	MAZAK® LONG BLOCK STAINLESS STEEL
5	AL324		MAZAK® BLOCK STAINLESS STEEL



TOLL FREE 888.558.1504 (USA and Canada) T. 724.352.1504 F. 724.352.4980 WWW.IIVIINFRARED.COM

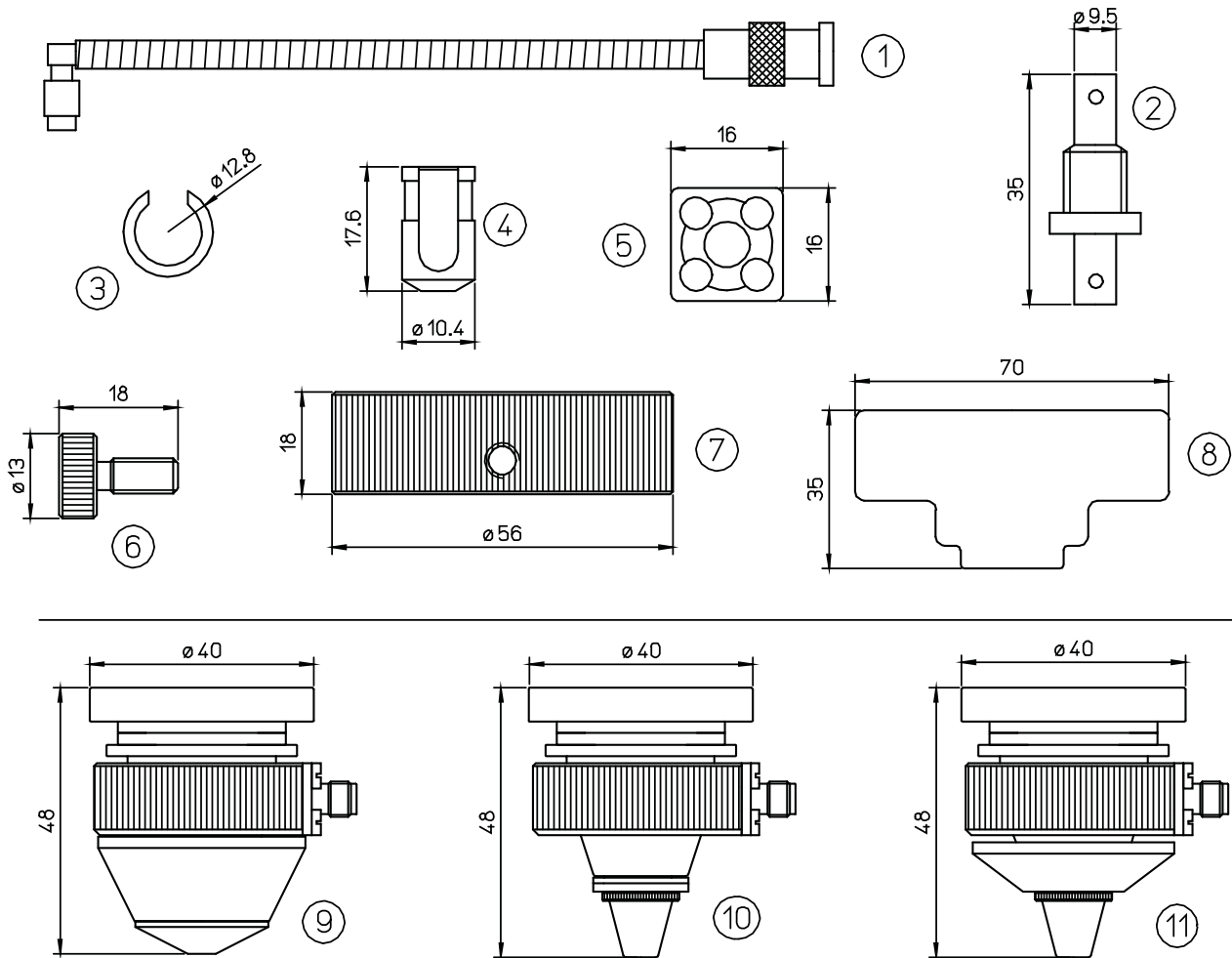
27 All original equipment manufacturer's names, drawings, colors, trademarks and part numbers are used for identification purposes only and we are in no way implying that any of our products are original equipment parts. All parts advertised for sale in this catalog are made for and/or by II-VI Incorporated.



POS	II-VI P/N	OEM P/N	DESCRIPTION
1	AL74	46683301110	MAZAK® CENTRAL COPPER BODY
2	AL112		MAZAK® CENTRAL COPPER BODY
3	AL80	46683301080	MAZAK® PTFE SPACER 27x5.5
	AL80/P	46683301080	MAZAK® SPECIAL SPACER 27X5.5 - PLASTIC
	AL280	46683301080	MAZAK® CERAMIC SPACER 27x5.5
	ALM280	46683301080	MAZAK® CERAMIC SPACER 27x5.5
4	AL97	J2600S03200	MAZAK® O'RING EXTERNAL BASE - RUBBER
5	AL84	46683301070	MAZAK® BRASS BASE
6	AL79	46683301090	MAZAK® PTFE SPACER 30x4
	AL79/P	46683301090	MAZAK® SPECIAL SPACER 30X4 - PLASTIC
	AL279	46683301090	MAZAK® CERAMIC SPACER 30x4
	ALM279	46683301090	MAZAK® CERAMIC SPACER 30x4
7	AL83	46683301100	MAZAK® COPPER NUT
8	AL376	46773300510	MAZAK® COPPER NUT
9	AL77	46683301120	MAZAK® PTFE SPACER 24x3
	AL77/P	46683301120	MAZAK® SPECIAL SPACER 24x3 - PLASTIC
	AL277	46683301120	MAZAK® CERAMIC SPACER 24x3
	ALM277	46683301120	MAZAK® CERAMIC SPACER 24x3
10	AL377	46773300710	MAZAK® CERAMIC SPACER 24x3
	ALM377	46773300710	MAZAK® CERAMIC SPACER 24x3
11	AL75	46683300850	MAZAK® COPPER NOZZLE HOLDER
12	AL253	46773300720	MAZAK® COPPER NOZZLE HOLDER
13	AL78	46683301130	MAZAK® PTFE SPACER 24x4
	AL78/P	46683301130	MAZAK® SPECIAL SPACER 24X4 - PLASTIC
	AL278	46683301130	MAZAK® CERAMIC SPACER 24x4
	ALM278	46683301130	MAZAK® CERAMIC SPACER 24x4
14	AL73	46683301140	MAZAK® ALUMINIUM BODY
15	AL81	46683301150	MAZAK® PTFE SPACER 17x1.5
16	AL111	46683301930	MAZAK® PTFE PROTECTION
	AL111/P	46683301930	MAZAK® SPECIAL PROTECTION - PLASTIC
	AL275	46683301930	MAZAK® CERAMIC PROTECTION
17	AL118	46683301841	MAZAK® PTFE SPACER
18	AL82	46683301160	MAZAK® COPPER RING 17x2
19	AL119	46683301180	MAZAK® SCREW FOR CONTACT SLOTTED HEAD
20	AL76	46683301170	MAZAK® CONTACT
21	AL88		MAZAK® CONNECTING PTFE PIPE
22	AL127	46683300000	MAZAK® SCREW FOR CONNECTORS(4 PCS)
23	AL113		MAZAK® CONNECTOR
24	AL154	46683301170	MAZAK® KIT CONNECTOR (AL76-88-127-113)
25	AL213		MAZAK® CONNECTOR ASSEMBLY
26	AL128	46683301830	MAZAK® ADAPTER FOR TRUMPF® NOZZLE
27		<i>Please refer to the Trumpf® nozzle section</i>	
28		<i>Please refer to the Mazak® nozzle section</i>	
29		<i>Please refer to the Mazak® nozzle section</i>	

TOLL FREE 888.558.1504 (USA and Canada) T. 724.352.1504 F. 724.352.4980 WWW.IIVIINFRARED.COM

All original equipment manufacturer's names, drawings, colors, trademarks and part numbers are used for identification purposes only and we are in no way implying that any of our products are original equipment parts. All parts advertised for sale in this catalog are made for and/or by II-VI Incorporated.

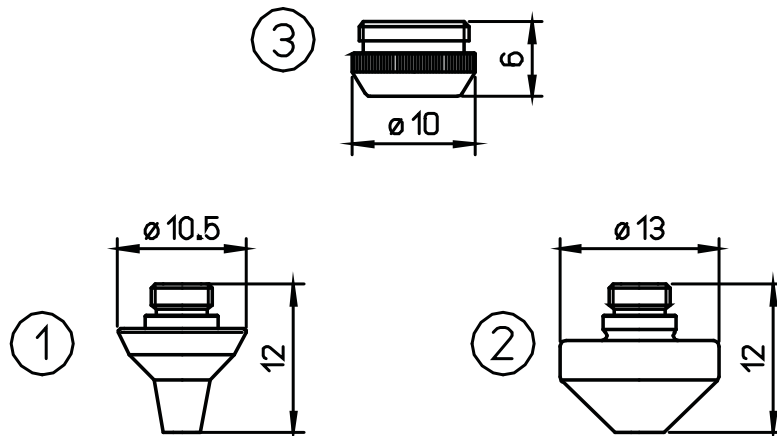




POS	II-VI P/N	OEM P/N	DESCRIPTION
1	AL103	46683301980	MAZAK® CONNECTING CABLE FOR SENSOR HEAD
	AL103/S	46683301330	MAZAK® CONNECTING CABLE SENSOR HEAD+3CM
2	AL104		MAZAK® CABLE ADAPTER
3	AL155	46683301870	MAZAK® COVER CLIPS - PTFE
4	AL156	46683301860	MAZAK® CABLE CONNECTOR COVER - PTFE
	AL156/P	46683301860	MAZAK® CABLE CONNECTOR COVER LONG LIFE PLASTIC
5	AL157	46683301850	MAZAK® CONNECTOR COVER - PTFE
	AL157/P	46683301850	MAZAK® CONNECTOR COVER LONG LIFE - PLASTIC
6	AL152	46683300032	MAZAK® MILD STEEL BOLT M5 X 0.5
7	AL153	46683300930	MAZAK® RING
	AL166		MAZAK® RING KIT - AL153 + 4 PCS AL152
8	AL165	46683301230	MAZAK® PLATE
9	TMA10		MAZAK® HEAD W/PTFE SPACER
	TMA10/P		MAZAK® HEAD W/LONG LIFE SPACER
	TMA10/C		MAZAK® HEAD W/CERAMIC SPACER
10	TMA20		MAZAK® HEAD W/PTFE SPACER
	TMA20/P		MAZAK® HEAD W/LONG LIFE SPACER
	TMA20/C		MAZAK® HEAD W/CERAMIC SPACER
11	TMA30		MAZAK® HEAD W/PTFE SPACER
	TMA30/P		MAZAK® HEAD W/LONG LIFE SPACER
	TMA30/C		MAZAK® HEAD W/CERAMIC SPACER



Mazak[®] 3D - Precitec[®] 5"C/MG - 5"H/MG

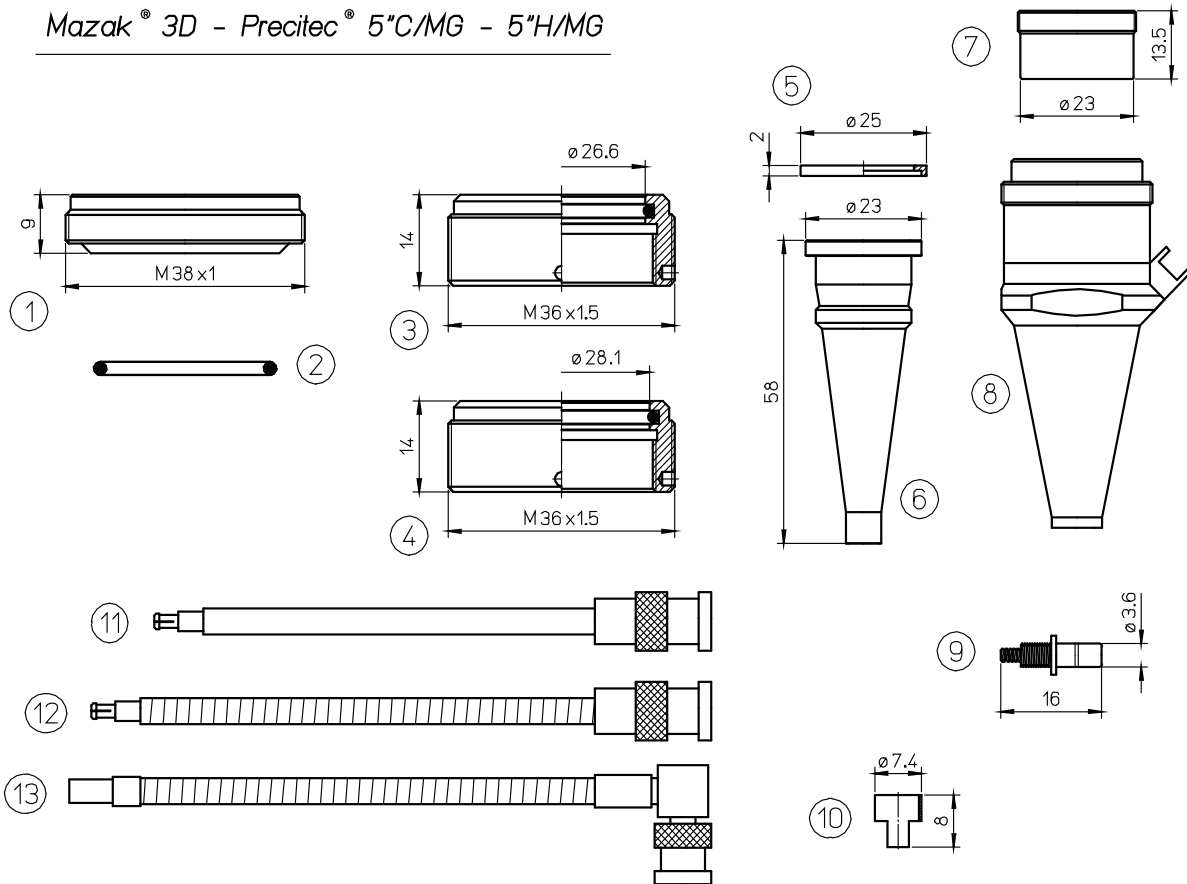




POS	II-VI P/N	OEM P/N	DESCRIPTION
1	L554	46713300290-10	MAZAK® NOZZLE 3D Ø 1.0
	L30554	46713300290-10	MAZAK® NOZZLE 3D Ø 1.0
	L555	46713300290-12	MAZAK® NOZZLE 3D Ø 1.2
	L30555	46713300290-12	MAZAK® NOZZLE 3D Ø 1.2
	L556	46713300290-15-P0352-381-00015	MAZAK® NOZZLE 3D Ø 1.5
	L30556	46713300290-15-P0352-381-00015	MAZAK® NOZZLE 3D Ø 1.5
	L557		MAZAK® NOZZLE 3D Ø 1.8
	L30557		MAZAK® NOZZLE 3D Ø 1.8
	L558	46713300310-P0352-382-00020	MAZAK® NOZZLE 3D Ø 2.0
	L30558	46713300310-P0352-382-00020	MAZAK® NOZZLE 3D Ø 2.0
	L560	46713300280-25	MAZAK® NOZZLE 3D Ø 2.5
	L30560	46713300280-25	MAZAK® NOZZLE 3D Ø 2.5
	L563	46713300280-30-46713300430	MAZAK® NOZZLE 3D Ø 3.0
	L30563	46713300280-30	MAZAK® NOZZLE 3D Ø 3.0
	L564	46713300280-35	MAZAK® NOZZLE 3D Ø 3.5
	L30564	46713300280-35	MAZAK® NOZZLE 3D Ø 3.5
2	L576		MAZAK® NOZZLE Ø 1.0 2D
	L30576		MAZAK® NOZZLE Ø 1.0 2D
	L577	46713300310	MAZAK® NOZZLE Ø 1.2 2D
	L30577	46713300310	MAZAK® NOZZLE Ø 1.2 2D
	L578	P0352-386-00015	MAZAK® NOZZLE Ø 1.5 2D
	L30578	P0352-386-00015	MAZAK® NOZZLE Ø 1.5 2D
	L579		MAZAK® NOZZLE Ø 1.8 2D
	L30579		MAZAK® NOZZLE Ø 1.8 2D
	L580	46713300300-P0352-387-00020	MAZAK® NOZZLE Ø 2.0 2D
	L30580	46713300300-P0352-387-00020	MAZAK® NOZZLE Ø 2.0 2D
	L581	46713300300-25	MAZAK® NOZZLE Ø 2.5 2D
	L30581	46713300300-25	MAZAK® NOZZLE Ø 2.5 2D
	L582	46713300300-30	MAZAK® NOZZLE Ø 3.0 2D
	L30582	46713300300-30	MAZAK® NOZZLE Ø 3.0 2D
3	AL160	46713300321-P0352-311-00001	MAZAK® VESPEL NUT - SPACE GEAR



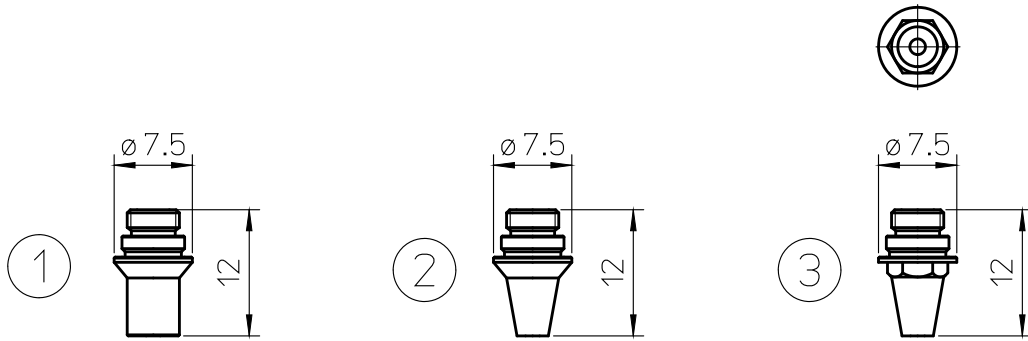
Mazak[®] 3D - Precitec[®] 5"C/MG - 5"H/MG



TOLL FREE 888.558.1504 (USA and Canada) T. 724.352.1504 F. 724.352.4980 WWW.II-VIINFRARED.COM

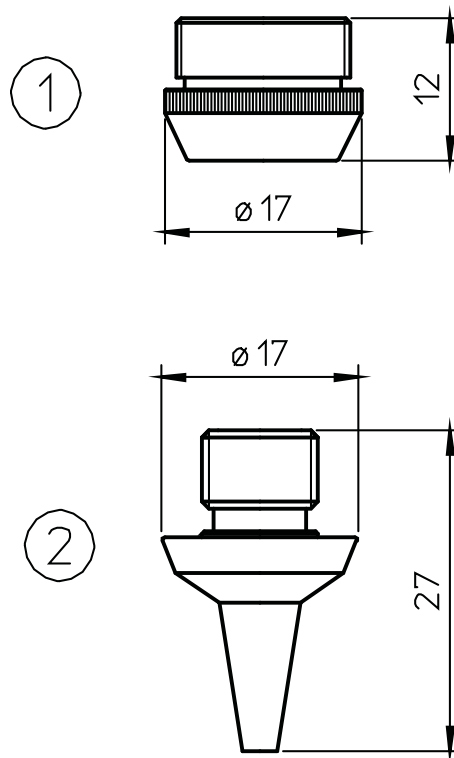


POS	II-VI P/N	OEM P/N	DESCRIPTION
1	AL198	P0492-702-00001-29100021	PRECITEC® INSULATING RING - plastic
2	AL94	71366453	AMADA® O'RING FOR NOZZLE OUTER
3	AL218	46713330200	MAZAK® 5-AXIS INSULATOR
4	AL221	46713330920	MAZAK® INSULATION RING
5	AL350	46713330960	MAZAK® WASHER FOR CONE
6	AL349	46713330930	MAZAK® INNER SENSOR CONE
7	AL353	46713330940	MAZAK® TORCH INNER TOP
8	AL351	46713331240	MAZAK® TORCH OUTER HNP
9	AL354	46713331111	MAZAK® CONNECTOR
10	AL356	46713330951	MAZAK® CONNECTOR CAP
11	AL256		PRECITEC® INSULATOR COLLAR
12	AL204	P0360-100-00500 - 46713300100	PRECITEC® ORIG. SENSOR CABLE KE 500 Z
13	AL257	281386 P0360-155-00500	MAZAK® ELECTRODE CABLE
14	AL358	46743300181	MAZAK® CONNECTING CABLE FOR SENSOR HEAD
	AL364	46743300183	MAZAK® CONNECTING CABLE L=35CM





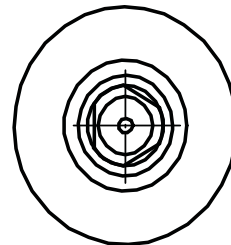
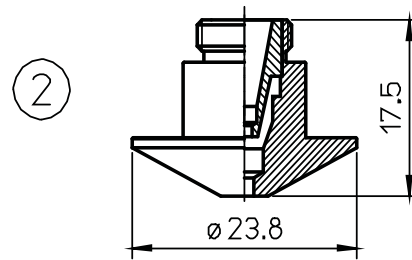
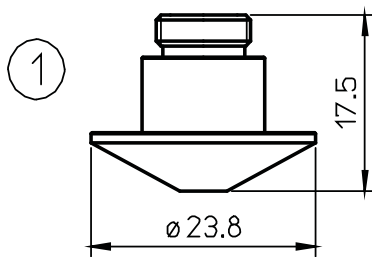
POS	II-VI P/N	OEM P/N	DESCRIPTION
1	L480	281005-P0352-323-00010	MAZAK® NOZZLE Ø 1.0 ZK
	L30480	281005-P0352-323-00010	MAZAK® NOZZLE Ø 1.0 ZK
	L481	281034-P0352-324-00012	MAZAK® NOZZLE Ø 1.2 ZK
	L30481	281034-P0352-324-00012	MAZAK® NOZZLE Ø 1.2 ZK
	L482	281013-P0352-325-00015	MAZAK® NOZZLE Ø 1.5 ZK
	L30482	281013-P0352-325-00015	MAZAK® NOZZLE Ø 1.5 ZK
	L483	280899-P0352-326-00018	MAZAK® NOZZLE Ø 1.8 ZK
	L30483	280899-P0352-326-00018	MAZAK® NOZZLE Ø 1.8 ZK
	L484	350044.3-P0352-327-00020	MAZAK® NOZZLE Ø 2.0 ZK
	L30484	350044.3-P0352-327-00020	MAZAK® NOZZLE Ø 2.0 ZK
	L485	P0352-328-00025	MAZAK® NOZZLE Ø 2.5 ZK
	L30485	350044.3-P0352-328-00025	MAZAK® NOZZLE Ø 2.5 ZK
2	L486	281006-P0352-333-00010	MAZAK® NOZZLE Ø 1.0 KK
	L30486	281006-P0352-333-00010	MAZAK® NOZZLE Ø 1.0 KK
	L487	281030-P0352.334.00012	MAZAK® NOZZLE Ø 1.2 KK
	L30487	281030-P0352.334.00012	MAZAK® NOZZLE Ø 1.2 KK
	L488	281031-P0352.335.00015	MAZAK® NOZZLE Ø 1.5 KK
	L30488	281031-P0352.335.00015	MAZAK® NOZZLE Ø 1.5 KK
	L489	280898-P0352.336.00018	MAZAK® NOZZLE Ø 1.8 KK
	L30489	280898-P0352.336.00018	MAZAK® NOZZLE Ø 1.8 KK
	L490	P0352.336.00020	MAZAK® NOZZLE Ø 2.0 KK
	L30490	P0352.336.00020	MAZAK® NOZZLE Ø 2.0 KK
3	L1760		PRECITEC® NOZZLE DE M1.5 KS 1.0 HEX
	L301760		PRECITEC® NOZZLE DE M1.5 KS 1.0 HEX
	L1761		PRECITEC® NOZZLE DE M1.5 KS 1.2 HEX
	L301761		PRECITEC® NOZZLE DE M1.5 KS 1.2 HEX
	L1762	P0491-1001-00015	PRECITEC® NOZZLE DE M1.5 KS 1.5HEX
	L301762		PRECITEC® NOZZLE DE M1.5 KS 1.5 HEX
	L1764	P0491-1002-00020	PRECITEC® NOZZLE DE M1.5 KS 2.0 HEX
	L301764		PRECITEC® NOZZLE DE M1.5 KS 2.0 HEX





LC 3015 XI NT

POS	II-VI P/N	OEM P/N	DESCRIPTION
1	AL337	46713331280	MAZAK® VESPEL NUT
2	L1300		MAZAK® 3D NOZZLE Ø 1.0
	L1295	46713331320	MAZAK® 3D NOZZLE Ø 1.2
	L1296	46713331310	MAZAK® 3D NOZZLE Ø 1.5
	L1301		MAZAK® 3D NOZZLE Ø 1.8
	L1297	46713331300	MAZAK® 3D NOZZLE Ø 2.0
	L1298	46713331330	MAZAK® 3D NOZZLE Ø 2.5
	L1299	46713331290	MAZAK® 3D NOZZLE Ø 3.0

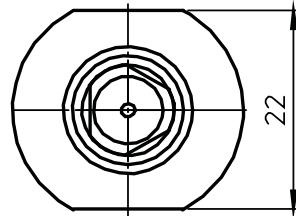
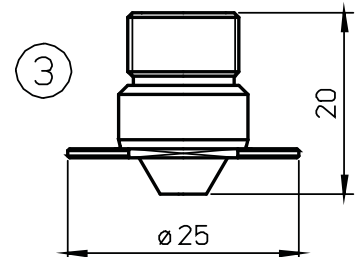
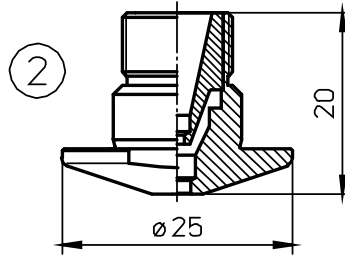
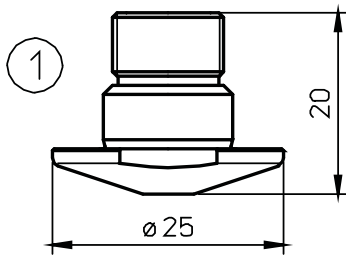




POS	II-VI P/N	OEM P/N	DESCRIPTION
1	L428		MAZAK® NOZZLE Ø 1.0
	L423		MAZAK® NOZZLE Ø 1.2
	L429	46683301950	MAZAK® NOZZLE Ø 1.5
	L430	46683301821	MAZAK® NOZZLE Ø 2.0
	L471		MAZAK® NOZZLE Ø 2.2
	L431	46683301960	MAZAK® NOZZLE Ø 2.5
	L432	46683301970	MAZAK® NOZZLE Ø 3.0
	L472		MAZAK® NOZZLE Ø 3.5
	L473		MAZAK® NOZZLE Ø 4.0
	L474		MAZAK® NOZZLE Ø 4.5
	L428X		MAZAK® NOZZLE Ø 1.0 CP
	L423X		MAZAK® NOZZLE Ø 1.2 CP
	L429X	46683301950	MAZAK® NOZZLE Ø 1.5 CP
	L430X	46683301821	MAZAK® NOZZLE Ø 2.0 CP
	L471X		MAZAK® NOZZLE Ø 2.2 CP
	L431X	46683301960	MAZAK® NOZZLE Ø 2.5 CP
	L432X	46683301970	MAZAK® NOZZLE Ø 3.0 CP
	L472X		MAZAK® NOZZLE Ø 3.5 CP
	L473X		MAZAK® NOZZLE Ø 4.0 CP
L474X		MAZAK® NOZZLE Ø 4.5 CP	
2	L850		MAZAK® DOUBLE NOZZLE Ø 1.0
	L851		MAZAK® DOUBLE NOZZLE Ø 1.2
	L852		MAZAK® DOUBLE NOZZLE Ø 1.5
	L858		MAZAK® DOUBLE NOZZLE Ø 1.8
	L853		MAZAK® DOUBLE NOZZLE Ø 2.0
	L849		MAZAK® DOUBLE NOZZLE Ø 2.2
	L854		MAZAK® DOUBLE NOZZLE Ø 2.5
	L855		MAZAK® DOUBLE NOZZLE Ø 3.0
	L856		MAZAK® DOUBLE NOZZLE Ø 3.5
	L850X		MAZAK® DOUBLE NOZZLE Ø 1.0 CP
	L851X		MAZAK® DOUBLE NOZZLE Ø 1.2 CP
	L852X	46683302420	MAZAK® DOUBLE NOZZLE Ø 1.5 CP
	L858X		MAZAK® DOUBLE NOZZLE Ø 1.8 CP
	L853X	46683302430	MAZAK® DOUBLE NOZZLE Ø 2.0 CP
	L849X		MAZAK® DOUBLE NOZZLE Ø 2.2 CP
	L854X	46683302440	MAZAK® DOUBLE NOZZLE Ø 2.5 CP
	L855X	46683302450	MAZAK® DOUBLE NOZZLE Ø 3.0 CP
	L856X		MAZAK® DOUBLE NOZZLE Ø 3.5 CP

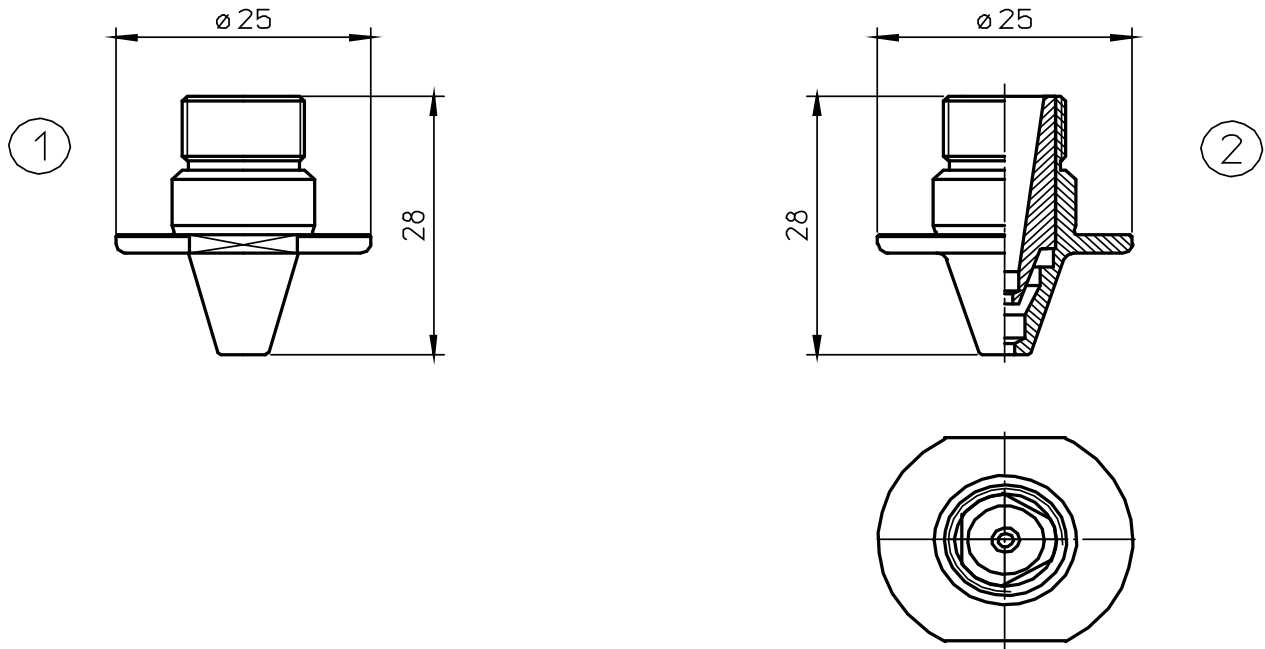
TOLL FREE 888.558.1504 (USA and Canada) T. 724.352.1504 F. 724.352.4980 WWW.IIVIINFRARED.COM

All original equipment manufacturer's names, drawings, colors, trademarks and part numbers are used for identification purposes only and we are in no way implying that any of our products are original equipment parts. All parts advertised for sale in this catalog are made for and/or by II-VI Incorporated.



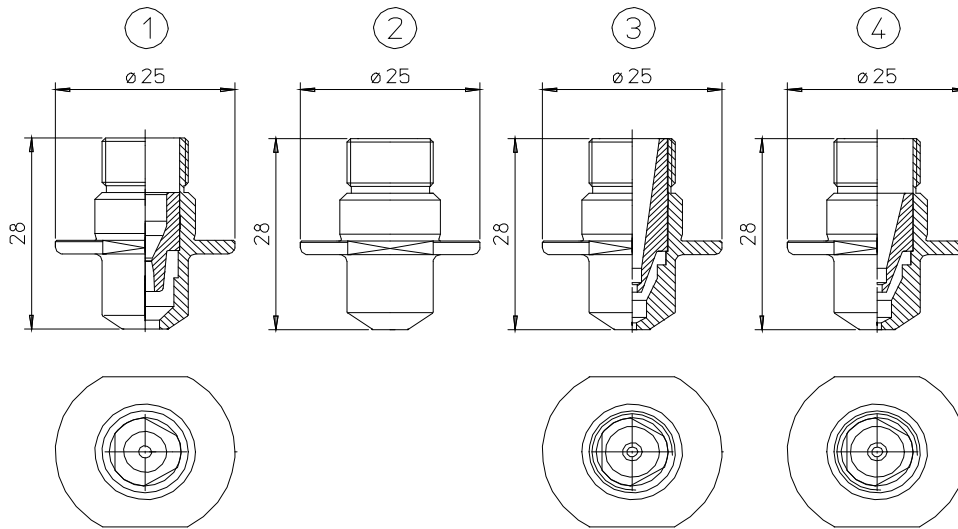


POS	II-VI P/N	OEM P/N	DESCRIPTION
1	L949X		MAZAK® NOZZLE Ø 0.8 CP
	L941X		MAZAK® NOZZLE Ø 1.0 CP
	L942X	46143304470	MAZAK® NOZZLE Ø 1.2 CP
	L943X	46143304450	MAZAK® NOZZLE Ø 1.5 CP
	L950X		MAZAK® NOZZLE Ø 1.8 CP
	L944X	46143304460	MAZAK® NOZZLE Ø 2.0 CP
	L945X	46143304480	MAZAK® NOZZLE Ø 2.5 CP
	L946X	46143304490	MAZAK® NOZZLE Ø 3.0 CP
	L947X	46143304500	MAZAK® NOZZLE Ø 3.5 CP
L948X	46143304510	MAZAK® NOZZLE Ø 4.0 CP	
2	L952X		MAZAK® DOUBLE NOZZLE Ø 1.2 CP
	L953X	46143306450	MAZAK® DOUBLE NOZZLE Ø 1.5 CP
	L954X	46143306460	MAZAK® DOUBLE NOZZLE Ø 2.0 CP
	L955X	46143306480	MAZAK® DOUBLE NOZZLE Ø 2.5 CP
	L956X	46143306490	MAZAK® DOUBLE NOZZLE Ø 3.0 CP
	L957X	46143306500	MAZAK® DOUBLE NOZZLE Ø 3.5 CP
	L958X		MAZAK® DOUBLE NOZZLE Ø 4.0 CP
3	L1264		MAZAK® NOZZLE Ø 1.0 SPECIAL
	L1265		MAZAK® NOZZLE Ø 1.2 SPECIAL
	L1266		MAZAK® NOZZLE Ø 1.5 SPECIAL
	L1267		MAZAK® NOZZLE Ø 2.0 SPECIAL
	L1268		MAZAK® NOZZLE Ø 3.0 SPECIAL





POS	II-VI P/N	OEM P/N	DESCRIPTION
1	L1379X		MAZAK® NOZZLE SLIM Ø 0.8 CP
	L1380X		MAZAK® NOZZLE SLIM Ø 1.0 CP
	L1381X	46143310342	MAZAK® NOZZLE SLIM Ø 1.2 CP
	L1382X	46143310352	MAZAK® NOZZLE SLIM Ø 1.5 CP
	L1389X		MAZAK® NOZZLE SLIM Ø 1.8 CP
	L1383X	46143310362	MAZAK® NOZZLE SLIM Ø 2.0 CP
	L1388X		MAZAK® NOZZLE SLIM Ø 2.2 CP
	L1384X	46143310372	MAZAK® NOZZLE SLIM Ø 2.5 CP
	L1385X	46143310382	MAZAK® NOZZLE SLIM Ø 3.0 CP
	L1386X	46143310392	MAZAK® NOZZLE SLIM Ø 3.5 CP
	L1387X	46143310402	MAZAK® NOZZLE SLIM Ø 4.0 CP
2	L1390X		MAZAK® DOUBLE NOZZLE SLIM Ø 0.8 CP
	L1391X		MAZAK® DOUBLE NOZZLE SLIM Ø 1.0 CP
	L1399X		MAZAK® DOUBLE NOZZLE SLIM Ø 1.2 CP
	L1392X	36143311500	MAZAK® DOUBLE NOZZLE SLIM Ø 1.5 CP
	L1400X		MAZAK® DOUBLE NOZZLE SLIM Ø 1.8 CP
	L1393X	36143311510	MAZAK® DOUBLE NOZZLE SLIM Ø 2.0 CP
	L1398X		MAZAK® DOUBLE NOZZLE SLIM Ø 2.2 CP
	L1394X	36143311520	MAZAK® DOUBLE NOZZLE SLIM Ø 2.5 CP
	L1395X	36143311530	MAZAK® DOUBLE NOZZLE SLIM Ø 3.0 CP
	L1396X	36143312380	MAZAK® DOUBLE NOZZLE SLIM Ø 3.5 CP
	L1397X	36143312390	MAZAK® DOUBLE NOZZLE SLIM Ø 4.0 CP
	L1511X		MAZAK® DOUBLE NOZZLE SLIM Ø 4.5 CP
	L1512X		MAZAK® DOUBLE NOZZLE SLIM Ø 5.0 CP



TOLL FREE 888.558.1504 (USA and Canada) T. 724.352.1504 F. 724.352.4980 WWW.II-VIINFRARED.COM

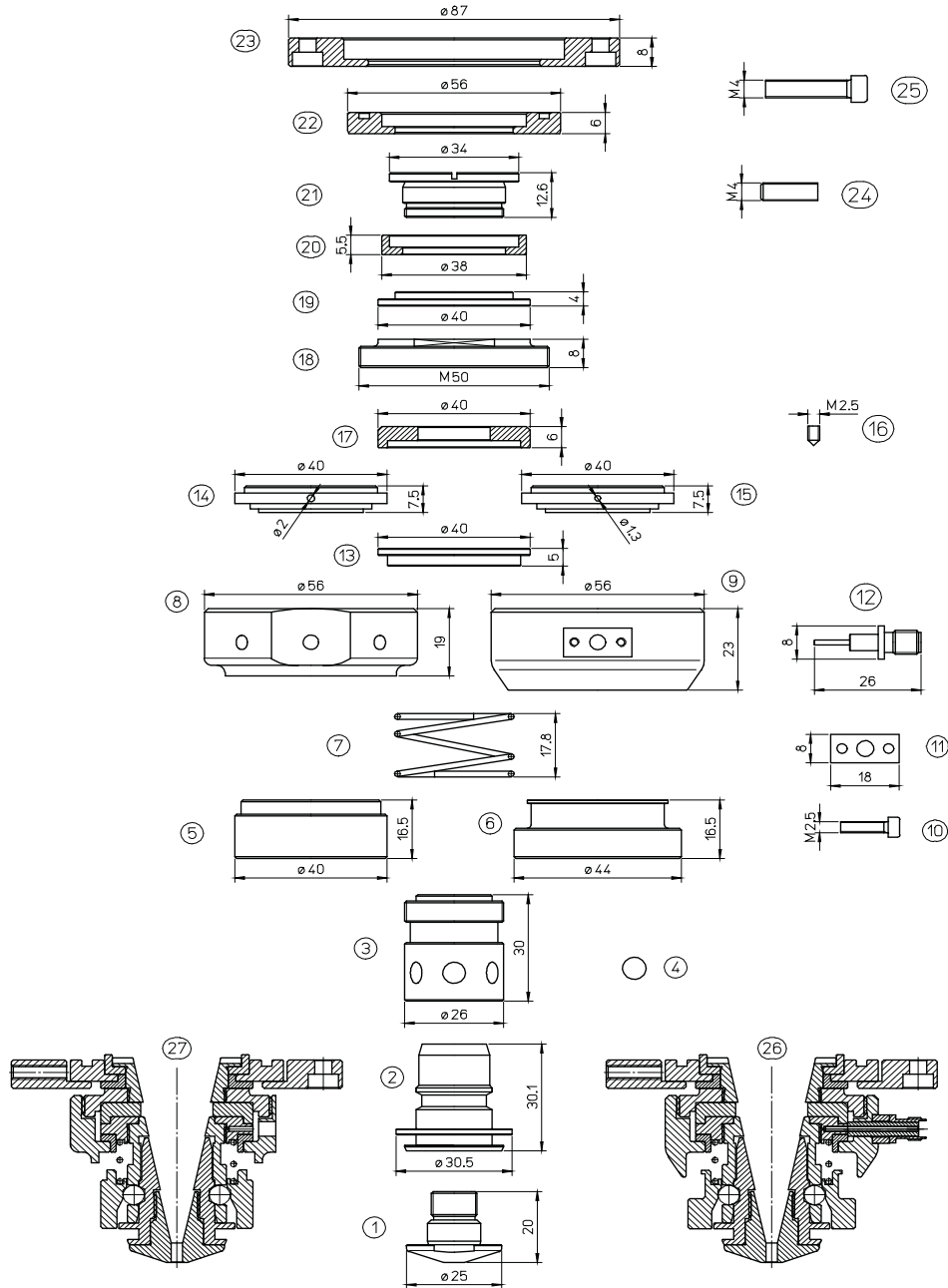
45 All original equipment manufacturer's names, drawings, colors, trademarks and part numbers are used for identification purposes only and we are in no way implying that any of our products are original equipment parts. All parts advertised for sale in this catalog are made for and/or by II-VI Incorporated.



POS	II-VI P/N	OEM P/N	DESCRIPTION
1	L1571X		MAZAK® DOUBLE NOZZLE PENCIL SUS Ø 3.0 CP
	L1572X		MAZAK® DOUBLE NOZZLE PENCIL SUS Ø 3.5 CP
	L1573X		MAZAK® DOUBLE NOZZLE PENCIL SUS Ø 4.0 CP
	L1574X		MAZAK® DOUBLE NOZZLE PENCIL SUS Ø 4.5 CP
	L1575X		MAZAK® DOUBLE NOZZLE PENCIL SUS Ø 5.0 CP
2	L1580X		MAZAK® NOZZLE PENCIL Ø 0.8 CP
	L1581X	06283301190	MAZAK® NOZZLE PENCIL Ø 1.0 CP
	L1582X	36143312220	MAZAK® NOZZLE PENCIL Ø 1.2 CP
	L1583X	36143312230	MAZAK® NOZZLE PENCIL Ø 1.5 CP
	L1584X		MAZAK® NOZZLE PENCIL Ø 1.8 CP
	L1585X	361433122240	MAZAK® NOZZLE PENCIL Ø 2.0 CP
	L1586X		MAZAK® NOZZLE PENCIL Ø 2.2 CP
	L1587X	36143312250	MAZAK® NOZZLE PENCIL Ø 2.5 CP
	L1588X	36143312260	MAZAK® NOZZLE PENCIL Ø 3.0 CP
	L1589X	36143312270	MAZAK® NOZZLE PENCIL Ø 3.5 CP
	L1590X	36143312280	MAZAK® NOZZLE PENCIL Ø 4.0 CP
	L1591X	06143355590	MAZAK® NOZZLE PENCIL Ø 4.5 CP
	L1592X		MAZAK® NOZZLE PENCIL Ø 5.0 CP
L1593X	06283301830	MAZAK® NOZZLE PENCIL Ø 5.5 CP	
3	L1600X		MAZAK® DOUBLE NOZZLE PENCIL Ø 0.8 CP
	L1601X		MAZAK® DOUBLE NOZZLE PENCIL Ø 1.0 CP
	L1602X		MAZAK® DOUBLE NOZZLE PENCIL Ø 1.2 CP
	L1603X	36143312300	MAZAK® DOUBLE NOZZLE PENCIL Ø 1.5 CP
	L1604X		MAZAK® DOUBLE NOZZLE PENCIL Ø 1.8 CP
	L1605X	36143312311	MAZAK® DOUBLE NOZZLE PENCIL Ø 2.0 CP
	L1606X		MAZAK® DOUBLE NOZZLE PENCIL Ø 2.2 CP
	L1607X	36143312320	MAZAK® DOUBLE NOZZLE PENCIL Ø 2.5 CP
	L1608X	36143312330	MAZAK® DOUBLE NOZZLE PENCIL Ø 3.0 CP
	L1609X	36143312340	MAZAK® DOUBLE NOZZLE PENCIL Ø 3.5 CP
	L1610X	36143312350	MAZAK® DOUBLE NOZZLE PENCIL Ø 4.0 CP
	L1611X	Q6143312360	MAZAK® DOUBLE NOZZLE PENCIL Ø 4.5 CP
	L1612X	Q6143312370	MAZAK® DOUBLE NOZZLE PENCIL Ø 5.0 CP
4	L1614X		MAZAK® DOUBLE NOZZLE PENCIL Ø 4.0-1.2 CP
	L1615X	06143355360	MAZAK® DOUBLE NOZZLE PENCIL Ø 4.0-1.4 CP
	L1616X	06143355370	MAZAK® DOUBLE NOZZLE PENCIL Ø 4.0-1.8 CP
	L1617X		MAZAK® DOUBLE NOZZLE PENCIL Ø 4.5-1.2CP
	L1618X		MAZAK® DOUBLE NOZZLE PENCIL Ø 5.0-1.2 CP
	L1686X	0628801840	MAZAK® DOUBLE NOZZLE PENCIL Ø 5.5-2.0 CP

TOLL FREE 888.558.1504 (USA and Canada) T. 724.352.1504 F. 724.352.4980 WWW.IIVIINFRARED.COM

All original equipment manufacturer's names, drawings, colors, trademarks and part numbers are used for identification purposes only and we are in no way implying that any of our products are original equipment parts. All parts advertised for sale in this catalog are made for and/or by II-VI Incorporated.



TOLL FREE 888.558.1504 (USA and Canada) T. 724.352.1504 F. 724.352.4980 WWW.II-VIINFRARED.COM

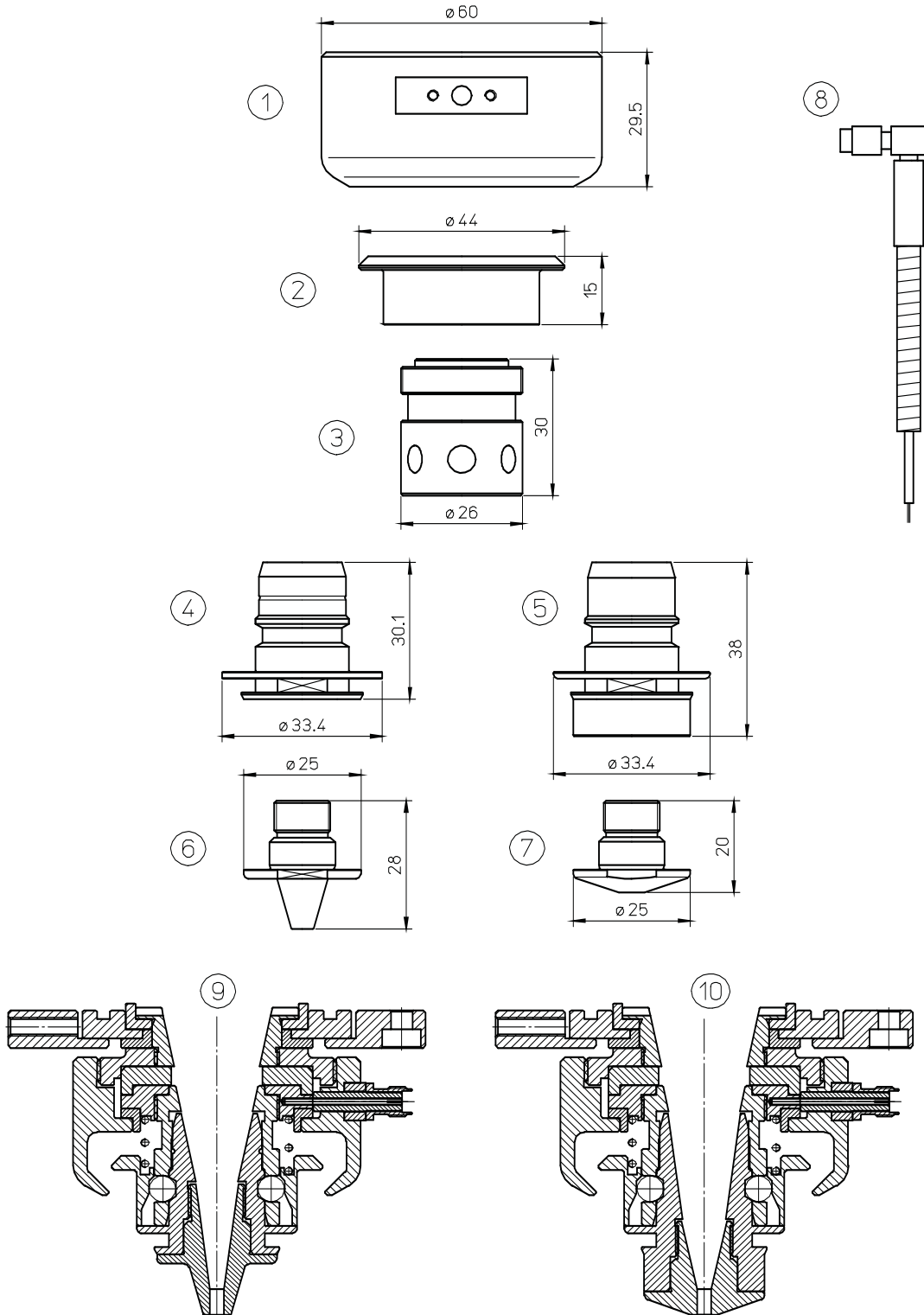
47 All original equipment manufacturer's names, drawings, colors, trademarks and part numbers are used for identification purposes only and we are in no way implying that any of our products are original equipment parts. All parts advertised for sale in this catalog are made for and/or by II-VI Incorporated.



POS	II-VI P/N	OEM P/N	DESCRIPTION
1		<i>Please refer to the Mazak® nozzle section</i>	
2	AL242	36143304420	MAZAK® H.G. NOZZLE HOLDER
3	AL291	36143304400	MAZAK® H.G. COUPLER
4	AL311	46143300230	MAZAK® H.G. KIT BALL - 6 PCS
5	AL292	46143304430	MAZAK® H.G. SPRING RETAINER
6	AL314	46143308000	MAZAK® H.G. RETAINER SPRING STEEL
7	AL289	46143300220	MAZAK® H.G. SPRING
8	AL293	36143303242	MAZAK® H.G. BODY
9	AL313	36143307980	MAZAK® H.G. ALUMINUM BODY
10	AL317	A05GS002560	MAZAK® H.G. SCREW FOR CONNECTOR - 2 PCS
11	AL318	46143308170	MAZAK® H.G. SPACER FOR CONNECTOR ALUMINUM
12	AL315	46143308190	MAZAK® H.G. CONNECTOR
13	AL284	46143300240	MAZAK® H.G. CERAMIC INSULATOR 40 x 5
	AL384	46143300240	MAZAK® H.G. PTFE INSULATOR 40 x 5
14	AL287	46143304250	MAZAK® H.G. RETAINER NUT W/AMPLIF. HOLE 2.0
15	AL295	46143307420	MAZAK® H.G. RETAINER NUT W/AMPLIF. HOLE 1.3
16	AL322	46683301180	MAZAK® H.G. SCREW HEX DRIVE
17	AL290	46143304440	MAZAK® H.G. INSULATOR CERAMIC 40 x 6
	AL390	46143304440	MAZAK® H.G. PTFE INSULATOR 40 x 6
18	AL294	46143300290	MAZAK® H.G. RETAINER NUT
19	AL285	46143300260	MAZAK® H.G. CERAMIC INSULATOR 40 x 4
	AL385	46143300260	MAZAK® H.G. PTFE INSULATOR 40 x 4
20	AL286	46143300270	MAZAK® H.G. INSULATOR CERAMIC 38 x 5,5
	AL386	46143300270	MAZAK® H.G. PTFE INSULATOR 38 x 5,5
21	AL288	46143300280	MAZAK® H.G. RETAINER NUT W/CONE
22	AL316	46143300320	MAZAK® H.G. RING BRASS
23	AL320	36143300332	MAZAK® H.G. RING ALUMINUM
24	AL321		MAZAK® H.G. SCREW FOR HEAD CENTERING - 4 PCS
25	AL319	A06CB040160	MAZAK® H.G. SET SCREWS FOR HEAD - 4 PCS
26	TMA50/C		MAZAK® H.G. HEAD W/CERAMIC SPACER
27	TMA40/C		MAZAK® H.G. HEAD W/CERAMIC SPACER

TOLL FREE 888.558.1504 (USA and Canada) T. 724.352.1504 F. 724.352.4980 WWW.IIVIINFRARED.COM

All original equipment manufacturer's names, drawings, colors, trademarks and part numbers are used for identification purposes only and we are in no way implying that any of our products are original equipment parts. All parts advertised for sale in this catalog are made for and/or by II-VI Incorporated.



TOLL FREE 888.558.1504 (USA and Canada) T. 724.352.1504 F. 724.352.4980 WWW.IIVIINFRARED.COM

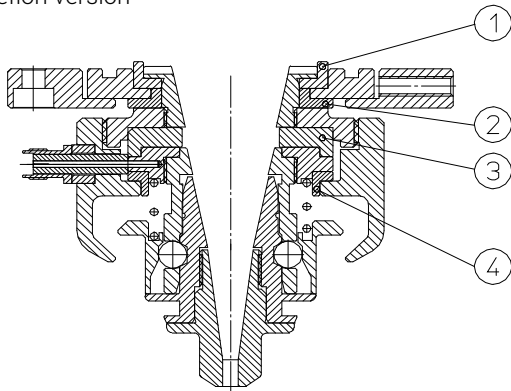
49 All original equipment manufacturer's names, drawings, colors, trademarks and part numbers are used for identification purposes only and we are in no way implying that any of our products are original equipment parts. All parts advertised for sale in this catalog are made for and/or by II-VI Incorporated.



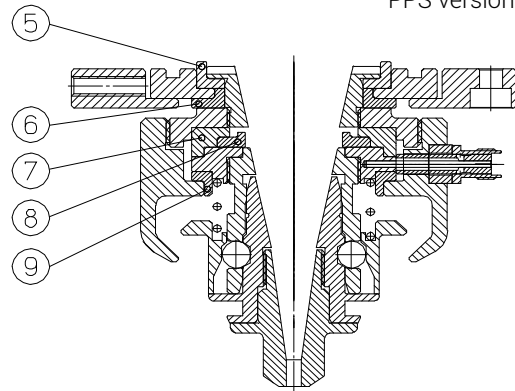
POS	II-VI P/N	OEM P/N	DESCRIPTION
1	AL365	36143310550	MAZAK® H.G. ALUMINUM BODY
2	AL366	36143310541	MAZAK® H.G. RETAINER SPRING STEEL
3	AL367	36143310530	MAZAK® H.G. COUPLER
4	AL362	36143310522	MAZAK® H.G. NOZZLE HOLDER LARGE
5	AL363	36143310740	MAZAK® H.G. NOZZLE HOLDER LONG
6			Please refer to Mazak® Slim Nozzle section
7			Please refer to Mazak® Nozzle section
8	AL368	46143308290	MAZAK® DOWNSIDE CABLE OF PREAMP BUILT-IN TYPE
9	TMA60/C		MAZAK® H.G. HEAD W/CERAMIC SPACER
10	TMA70/C		MAZAK® H.G. HEAD W/CERAMIC SPACER



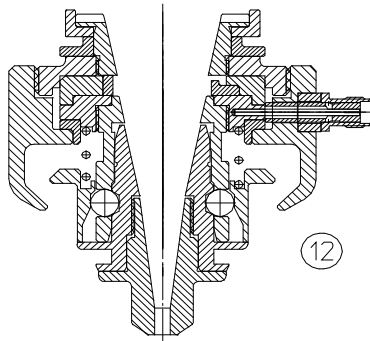
Ceramic/Teflon version



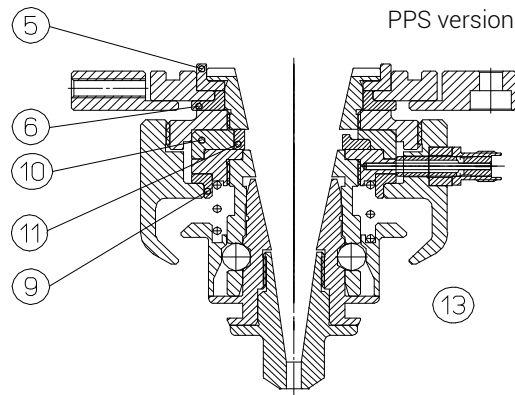
PPS version



PPS version

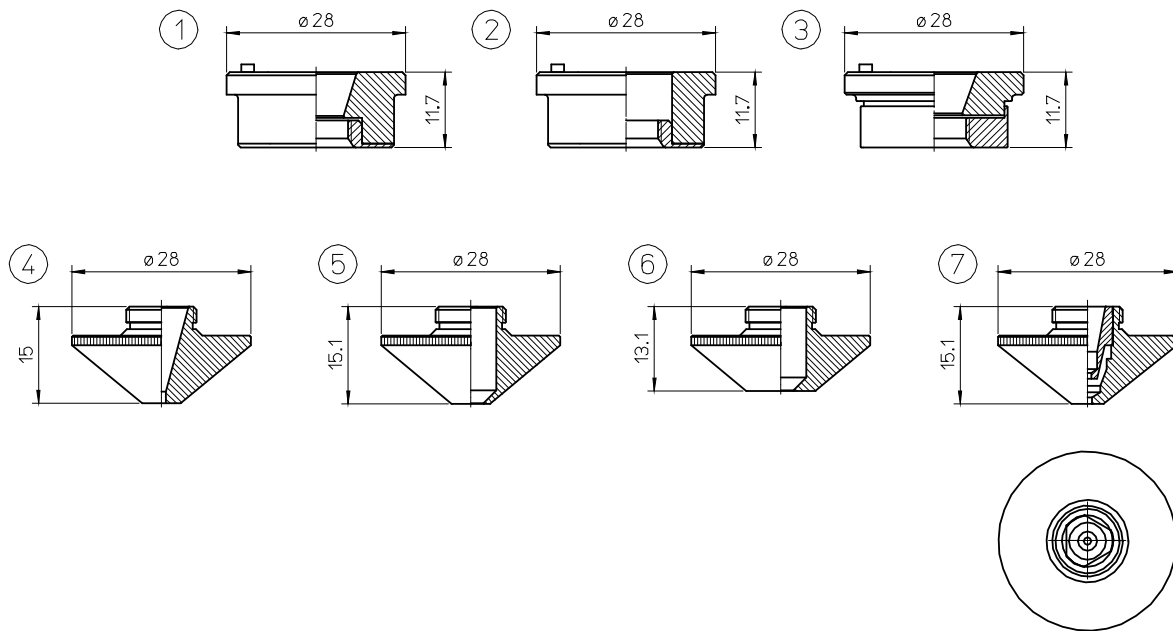


PPS version





POS	II-VI P/N	OEM P/N	DESCRIPTION
1	AL286	46143300270	MAZAK® H.G. INSULATOR CERAMIC 38 x 5,5
	AL386	46143300270	MAZAK® H.G. PTFE INSULATOR 38 x 5,5
2	AL285	46143300260	MAZAK® H.G. CERAMIC INSULATOR 40 x 4
	AL385	46143300260	MAZAK® H.G. PTFE INSULATOR 40 x 4
3	AL290	46143304440	MAZAK® H.G. INSULATOR CERAMIC 40 x 6
	AL390	46143304440	MAZAK® H.G. PTFE INSULATOR 40 x 6
4	AL284	46143300240	MAZAK® H.G. CERAMIC INSULATOR 40 x 5
	AL384	46143300240	MAZAK® H.G. PTFE INSULATOR 40 x 5
5	AL486	46143312100	MAZAK® RING PPS
6	AL485	46143312130	MAZAK® RING PPS
7	AL490	46143312080	MAZAK® SPACER PPS
8	AL487	46143312090	MAZAK® RING
9	AL484	46143312120	MAZAK® RING PPS
10	AL464	46143312170	MAZAK® PPS RING 40 x 6
11	AL463	46143312180	MAZAK® CERAMIC RING 23x4
12	TMA85		MAZAK® H.G. HEAD W/PPS SPACER
13	TMS80		MAZAK® H.G. HEAD W/PPS SPACER





POS	II-VI P/N	OEM P/N	DESCRIPTION
1	AL355	P0571-1051-00001	PRECITEC® ORIGINAL NOZZLE HOLDER KT B2" CON
	AL495	P0571-1051-00001	PRECITEC® NOZZLE HOLDER KT B2" CON
	AL380	P0571-1051-00001	PRECITEC® NOZZLE HOLDER KT B2" CON
2	AL23	281330-P0571-260-00001	PRECITEC® ORIGINAL NOZZLE HOLDER KT B2"
	AL131	281330 - P0571-260-00001	PRECITEC® NOZZLE HOLDER KT B2"
	AL421	281330 - P0571-260-00001	PRECITEC® NOZZLE HOLDER KT B2"
3	AL331		PRECITEC® NOZZLE HOLDER KT B2" CON
4			<i>Please refer to the Precitec nozzle section</i>
5	L1692	06283300180	MAZAK® NOZZLE Ø 4.0
	L1696	06283300120	MAZAK® NOZZLE Ø 5.0
6	L1693	06283300210	MAZAK® NOZZLE Ø 4.0
	L1697	06283300190	MAZAK® NOZZLE Ø 5.0
7	L1701	06283300050	MAZAK® DOUBLE NOZZLE Ø 1.5
	L1702	06283300060	MAZAK® DOUBLE NOZZLE Ø 2.0
	L1703	06283300070	MAZAK® DOUBLE NOZZLE Ø 2.5
	L1704	06283300080	MAZAK® DOUBLE NOZZLE Ø 3.0
	L1705	06283300090	MAZAK® DOUBLE NOZZLE Ø 3.5
	L1706	06283300100	MAZAK® DOUBLE NOZZLE Ø 4.0
	L1707	06283300110	MAZAK® DOUBLE NOZZLE Ø 4.5
			<i>Please refer to the Precitec nozzle section for more style</i>



FOR ALL OF YOUR REPLACEMENT OPTIC NEEDS

CO₂ LASER OPTICS/CONSUMABLE PRODUCTS
 CO₂ LASER CONSUMABLES
 NOZZLES & ACCESSORIES
 TRUMPF CUT LENSES
 MP-5 ULTRA-LOW ABSORPTION LENSES
 ASPHERIC LENSES
 MENISCUS LENSES
 PLANO-CONVEX LENSES
 CYLINDER LENSES
 MIRRORS
 SCANNING LASER SYSTEM OPTICS
 BEAM COMBINERS
 BEAM EXPANDERS
 BEAMSPLITTERS
 COLLIMATING OPTICS
 DIAMOND-TURNED SPECIALTY OPTICS
 REFLECTIVE PHASE RETARDERS
 PRISMS & RHOMBS
 MODULATORS
 WAVEPLATES
 THIN-FILM POLARIZERS
 POLARIZER-ANALYZER-ATTENUATOR

RESONATOR OPTICS
 OUTPUT COUPLERS
 REAR MIRRORS
 BAND-SELECTIVE OPTICS
 AR-COATED WINDOWS
 BREWSTER WINDOWS
 PROTECTIVE WINDOWS
 LENS STRESS ANALYZER(LSA)
 1 MICRON OPTICS
 1 MICRON OPTICAL COMPONENTS
 1 MICRON DEBRIS SHIELDS
 1 MICRON HPDDL BEAM INTEGRATORS
 1 MICRON OPTICAL COATINGS
 1 MICRON MATERIALS
 OPTICAL MATERIALS
 ZINC SELENIDE (ZNSE)
 ZINC SULFIDE (ZNS)
 ZINC SULFIDE MULTISPECTRAL (ZNS MS)
 GERMANIUM (GE)
 GALLIUM ARSENIDE (GAAS)
 MATERIAL BLANKS
 CVD DIAMOND SUBSTRATES
 IR THERMAL IMAGING OPTICS



TOLL FREE 888.558.1504 (USA and Canada) T. 724.352.1504 F. 724.352.4980 WWW.II-VIINFRARED.COM



WORLDWIDE SALES OFFICES

To place an order, contact a II-VI sales representative at any of the following locations, or visit www.iiviiinfrared.com/contact for our most complete and up-to-date contact information.

**II-VI INFRARED**

375 SAXONBURG BLVD
SAXONBURG, PA 16056
UNITED STATES
888-558-1504 (Toll free in USA)
T. 724-352-1504
F. 724-352-4980
info@iiviiinfrared.com

II-VI WEST

36570 BRIGGS ROAD
MURRIETA, CA 92563
USA
800.262.5273 (Toll free in USA)
T. 951.926.7640
F. 951.926.8218
info@iiviiinfrared.com

II-VI BENELUX N.V.

BAAIKENSSTRAAT 21/2
B-9240 ZELE
BELGIUM
T. 32 (0) 52 45 86 10
F. 32 (0) 52 45 86 11
sales@ii-vi.be

II-VI DEUTSCHLAND GmbH

BRUNNENWEG 19-21
D-64331 WEITERSTADT
GERMANY
T. 49 6150 54 39-226
F. 49 6150 54 39-200
ir.Info.de@ii-vi.com

II-VI ITALIA S.r.l.

VIA ANDREA COSTA
31-20131 MILANO
ITALY
T. 39 02 2828740
F. 39 02 26149131
ir.info.it@ii-vi.com

II-VI SUISSE S.a.r.l.

MOULIN-DU-CHOC
1122 ROMANEL-SUR-MORGES
SWITZERLAND
T. 41 2186 902 52
F. 41 2186 993 08
info@ii-vi.ch

II-VI UK LTD.

UNIT 20B, OAKHAM ENTERPRISE
PARK, ASHWELL ROAD, OAKHAM,
RUTLAND, LE15 7TU
UNITED KINGDOM
T. 44 1572 771 778
F. 44 1572 771 779
sales@ii-vi.co.uk

II-VI JAPAN

WBG MARIVE EAST 26F
NAKASE 2-6-1
MIHAMA-KU, CHIBA-SHI
CHIBA 261-7126
JAPAN
T. 81 43297 2693
F. 81 43297 3003
center@ii-vi.co.jp

II-VI SINGAPORE PTE. LTD.

BLK. 5012, TECHPLACE II
#04-07 & 05-07/12,
ANG MO KIO AVE. 5
SINGAPORE 569876
T. 65 6481 8215
F. 65 6481 8702
ir.sales.sg@ii-vi.com

II-VI INFRARED LASER(SUZHOU)

BLOCK D#01-01/02
NO. 5 XING HAN STREET
SUZHOU INDUSTRIAL PARK
SUZHOU, CHINA 215101
T. 86 512 6761 9295
F. 86 512 6767 1207
infosz@ii-vi.com.cn

II-VI KOREA

WEST 1502 HANSHIN INTERVALLEY
322 TEHERAN-RO
SEOUL, KOREA 06211
T. 82 2 6242 2626
F. 82 2 6242 2627
jchoi@ii-vi.com

II-VI TAIWAN

8FL, 285 SEC 2 TIDING BLVD.
TAIPEI 114, TAIWAN
REPUBLIC OF CHINA
T. 886 2 87512155
F. 886 2 26582276
ir.sales.tw@ii-vi.com