

II-VI INFRARED

www.iiviinfrared.com

CO₂ & FIBER LASER NOZZLES AND ACCESSORIES



PRIMA INDUSTRIE®



TOLL FREE 888.558.1504 (USA and Canada)
TEL. 724.352.1504 FAX. 724.352.4980



About II-VI INFRARED

In 1971, II-VI Incorporated began by exclusively producing the highest-quality cadmium telluride (CdTe) material available for manufacturing high-power industrial CO₂ laser optics. Today, we have diversified into producing zinc selenide (ZnSe) material, as well as into numerous business units including laser tools for materials processing (HIGHYAG); near-infrared optics, YAG components, and telecommunications components (VLOC); fiber optics, projection and display optics, DPSS laser, crystal materials, and other photonics products (Photop); defense and aerospace optics (Exotic Electro-Optics); tellurium and selenium products (PRM); thermoelectric cooling devices (Marlow Industries); silicon carbide (II-VI WBG); and advanced materials development (II-VI AMDC). Given this diversity of II-VI Incorporated's business units, we have thus christened our original IR materials and optics business unit II-VI Infrared.

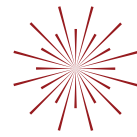
As II-VI Incorporated continues to grow, II-VI Infrared focuses on the company's original, industry-leading products: infrared and CO₂ laser optics and materials. And thanks to decades of innovation in zinc selenide (ZnSe) and zinc sulfide (ZnS) materials processing, thin-film coating, precision diamond turning, and finished optics fabrication, II-VI Infrared is the world leader in CO₂ laser optics, delivering an unbeatable combination of innovation, quality, and expertise. II-VI Infrared also delivers the largest vertically integrated CO₂ laser optics manufacturing process -- from raw materials to finished coated products -- in the world.

An optics foundry to CO₂ laser original equipment manufacturers (OEMs) the world over, consistently building optics to spec with consistent performance and quality, II-VI Infrared's products range from replacement CO₂ laser optics and nozzles to lenses, partial reflectors, windows, beamsplitters, mirrors, beam expanders, reflective phase retarders, scanning-laser system optics, diamond-turned custom optics, IR optical materials (ZnSe, ZnS, CVD Diamond), and more. Our products and reputation make us the number-one supplier to OEMs of CO₂ laser systems worldwide, while our capabilities are without rival in the industry.

Our diamond-turning facility is among the largest and most advanced in the world, offering services such as flycutting and multiple-axis turning, as well as fast and slow tool servos for custom optics. Single-point diamond-turning is used in finishing transmissive optics and mirrors in a variety of metals and IR materials.

Major investments in computer design programs, thin film evaporation equipment, clean rooms, and QA testing facilities enable us to offer a broad range of IR thin-film coatings. II-VI Infrared is known for designing and producing consistently low-absorption coatings for high-power CO₂ laser optics. Additionally, our talented and experienced engineering team using optical design software and CAD systems, designs and builds standard and custom optics as well as specialized mounts, components, and electro-optic assemblies.

Our quality assurance program includes comprehensive testing, documentation, and statistical analysis to ensure that each optic and component performs to customer requirements.



PRIMA INDUSTRIE®

CONTENTS



3-4



5-6



7-8



9-10



11-12



13-14



15-16

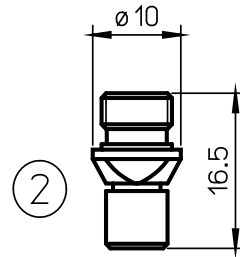
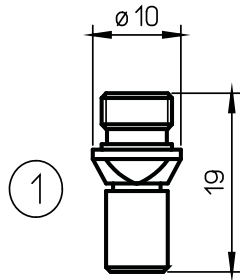


17-18



TOLL FREE 888.558.1504 (USA and Canada) T. 724.352.1504 F. 724.352.4980 WWW.II-VIINFRARED.COM

All original equipment manufacturer's names, drawings, colors, trademarks and part numbers are used for identification purposes only and we are in no way implying that any of our products are original equipment parts. All parts advertised for sale in this catalog are made for and/or by II-VI Incorporated.



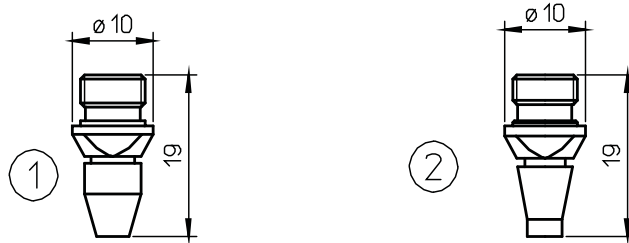


POS	II-VI P/N	OEM P/N	DESCRIPTION	
1	L70	490.76.102	PRIMA I.® NOZZLE Ø 0.3 CYLINDRICAL BRASS	
	L3070	490.76.102	PRIMA I.® NOZZLE Ø 0.3 CYLINDRICAL BRASS	
	L74		PRIMA I.® NOZZLE Ø 1.0 BRASS CYLINDRICAL	
	L3074		PRIMA I.® NOZZLE Ø 1.0 BRASS CYLINDRICAL	
	L418		PRIMA I.® NOZZLE Ø 1.0 COPPER CYLINDRICAL	
	L30418		PRIMA I.® NOZZLE Ø 1.0 COPPER CYLINDRICAL	
	L416		PRIMA I.® NOZZLE Ø 1.2 COPPER CYLINDRICAL	
	L30416		PRIMA I.® NOZZLE Ø 1.2 COPPER CYLINDRICAL	
	L54	485.73.321	PRIMA I.® NOZZLE Ø 1.5 BRASS CYLINDRICAL	
	L3054	485.73.321	PRIMA I.® NOZZLE Ø 1.5 BRASS CYLINDRICAL	
	L419		PRIMA I.® NOZZLE Ø 1.5 COPPER CYLINDRICAL	
	L30419		PRIMA I.® NOZZLE Ø 1.5 COPPER CYLINDRICAL	
	L417		PRIMA I.® NOZZLE Ø 1.7 COPPER CYLINDRICAL	
	L30417		PRIMA I.® NOZZLE Ø 1.7 COPPER CYLINDRICAL	
	L55	485.73.322	PRIMA I.® NOZZLE Ø 2.0 BRASS CYLINDRICAL	
	L3055	485.73.322	PRIMA I.® NOZZLE Ø 2.0 BRASS CYLINDRICAL	
	L420		PRIMA I.® NOZZLE Ø 2.0 COPPER CYLINDRICAL	
	L30420		PRIMA I.® NOZZLE Ø 2.0 COPPER CYLINDRICAL	
	L204	485.73.323	PRIMA I.® NOZZLE Ø 2.5 BRASS CYLINDRICAL	
	L30204	485.73.323	PRIMA I.® NOZZLE Ø 2.5 BRASS CYLINDRICAL	
	L421		PRIMA I.® NOZZLE Ø 2.5 COPPER CYLINDRICAL	
	L30421		PRIMA I.® NOZZLE Ø 2.5 COPPER CYLINDRICAL	
	L205	485.73.324	PRIMA I.® NOZZLE Ø 3.0 BRASS CYLINDRICAL	
	L30205	485.73.324	PRIMA I.® NOZZLE Ø 3.0 BRASS CYLINDRICAL	
	L422		PRIMA I.® NOZZLE Ø 3.0 COPPER CYLINDRICAL	
	L30422		PRIMA I.® NOZZLE Ø 3.0 COPPER CYLINDRICAL	
	L418X		PRIMA I.® NOZZLE Ø 1.0 CP	
	L30418X		PRIMA I.® NOZZLE Ø 1.0 CP	
	L416X		PRIMA I.® NOZZLE Ø 1.2 CP	
	L30416X		PRIMA I.® NOZZLE Ø 1.2 CP	
	L419X	485.73.421	PRIMA I.® NOZZLE Ø 1.5 CP	
	L30419X	485.73.421	PRIMA I.® NOZZLE Ø 1.5 CP	
L417X		PRIMA I.® NOZZLE Ø 1.7 CP		
L30417X		PRIMA I.® NOZZLE Ø 1.7 CP		
L420X	485.73.422	PRIMA I.® NOZZLE Ø 2.0 CP		
L30420X	485.73.422	PRIMA I.® NOZZLE Ø 2.0 CP		
L421X	485.73.423	PRIMA I.® NOZZLE Ø 2.5 CP		
L30421X	485.73.423	PRIMA I.® NOZZLE Ø 2.5 CP		
L422X	485.73.424	PRIMA I.® NOZZLE Ø 3.0 CP		
L30422X	485.73.424	PRIMA I.® NOZZLE Ø 3.0 CP		
2	L1245	490.1N.301	PRIMA I.® NOZZLE Ø 2.0 BRASS SHORT	
	L301245	490.1N.301	PRIMA I.® NOZZLE Ø 2.0 BRASS SHORT	
	L1246	490.1N.302	PRIMA I.® NOZZLE Ø 2.5 BRASS SHORT	
	L301246	490.1N.302	PRIMA I.® NOZZLE Ø 2.5 BRASS SHORT	

CP = CHROME PLATED

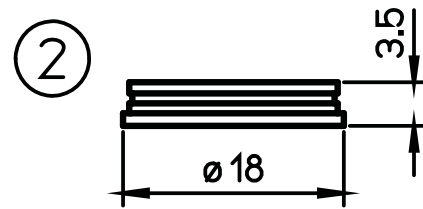
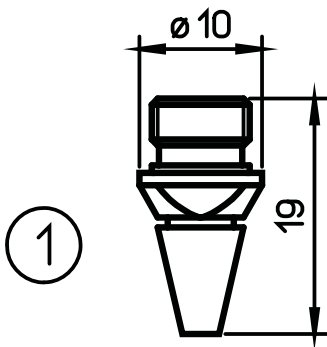
TOLL FREE 888.558.1504 (USA and Canada) T. 724.352.1504 F. 724.352.4980 WWW.IIVIINFRARED.COM

All original equipment manufacturer's names, drawings, colors, trademarks and part numbers are used for identification purposes only and we are in no way implying that any of our products are original equipment parts. All parts advertised for sale in this catalog are made for and/or by II-VI Incorporated.





POS	II-VI P/N	OEM P/N	DESCRIPTION
1	L631		PRIMA I.® NOZZLE Ø 0.3
	L30631		PRIMA I.® NOZZLE Ø 0.3
	L632		PRIMA I.® NOZZLE Ø 1.0
	L30632		PRIMA I.® NOZZLE Ø 1.0
	L637		PRIMA I.® NOZZLE Ø 1.2
	L30637		PRIMA I.® NOZZLE Ø 1.2
	L633		PRIMA I.® NOZZLE Ø 1.5
	L30633		PRIMA I.® NOZZLE Ø 1.5
	L638		PRIMA I.® NOZZLE Ø 1.7
	L30638		PRIMA I.® NOZZLE Ø 1.7
	L634		PRIMA I.® NOZZLE Ø 2.0
	L30634		PRIMA I.® NOZZLE Ø 2.0
	L635		PRIMA I.® NOZZLE Ø 2.5
	L30635		PRIMA I.® NOZZLE Ø 2.5
	L636		PRIMA I.® NOZZLE Ø 3.0
	L30636		PRIMA I.® NOZZLE Ø 3.0
2	L1231X	485.73.455	PRIMA I.® NOZZLE Ø 0.3 CP CON-CYL
	L301231X	485.73.455	PRIMA I.® NOZZLE Ø 0.3 CP CON-CYL
	L1235X	485.73.451	PRIMA I.® NOZZLE Ø 1.5 CP CON-CYL
	L301235X	485.73.451	PRIMA I.® NOZZLE Ø 1.5 CP CON-CYL
	L1236X	485.73.452	PRIMA I.® NOZZLE Ø 2.0 CP CON-CYL
	L301236X	485.73.452	PRIMA I.® NOZZLE Ø 2.0 CP CON-CYL
	L1237X	485.73.453	PRIMA I.® NOZZLE Ø 2.5 CP CON-CYL
	L301237X	485.73.453	PRIMA I.® NOZZLE Ø 2.5 CP CON-CYL

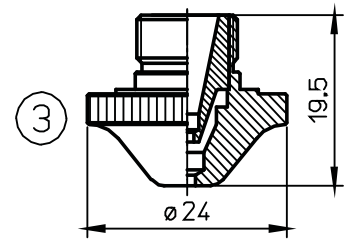
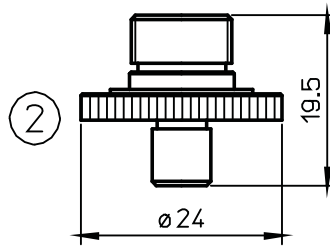
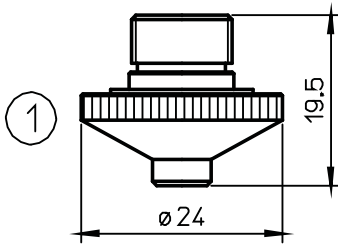




POS	II-VI P/N	OEM P/N	DESCRIPTION
1	L62	490.76.103	PRIMA I.® NOZZLE Ø 0.3 CONICAL BRASS
	L3062	490.76.103	PRIMA I.® NOZZLE Ø 0.3 CONICAL BRASS
	L450		PRIMA I.® NOZZLE Ø 1.0 CONICAL COPPER
	L30450		PRIMA I.® NOZZLE Ø 1.0 CONICAL COPPER
	L451		PRIMA I.® NOZZLE Ø 1.2 CONICAL COPPER
	L30451		PRIMA I.® NOZZLE Ø 1.2 CONICAL COPPER
	L206	485.73.331	PRIMA I.® NOZZLE Ø 1.5 CONICAL BRASS
	L30206	485.73.331	PRIMA I.® NOZZLE Ø 1.5 CONICAL BRASS
	L424		PRIMA I.® NOZZLE Ø 1.5 CONICAL COPPER
	L30424		PRIMA I.® NOZZLE Ø 1.5 CONICAL COPPER
	L426		PRIMA I.® NOZZLE Ø 1.7 CONICAL COPPER
	L30426		PRIMA I.® NOZZLE Ø 1.7 CONICAL COPPER
	L57	485.73.333	PRIMA I.® NOZZLE Ø 2.0 CONICAL BRASS
	L3057	485.73.333	PRIMA I.® NOZZLE Ø 2.0 CONICAL BRASS
	L425		PRIMA I.® NOZZLE Ø 2.0 CONICAL COPPER
	L30425		PRIMA I.® NOZZLE Ø 2.0 CONICAL COPPER
	L449		PRIMA I.® NOZZLE Ø 2.5 CONICAL BRASS
	L30449		PRIMA I.® NOZZLE Ø 2.5 CONICAL BRASS
	L427		PRIMA I.® NOZZLE Ø 2.5 CONICAL COPPER
	L30427		PRIMA I.® NOZZLE Ø 2.5 CONICAL COPPER
	L630		PRIMA I.® NOZZLE Ø 3.0 CONICAL COPPER
	L30630		PRIMA I.® NOZZLE Ø 3.0 CONICAL COPPER
	L450X		PRIMA I.® NOZZLE Ø 1.0 CP
	L30450X		PRIMA I.® NOZZLE Ø 1.0 CP
	L451X		PRIMA I.® NOZZLE Ø 1.2 CP
	L30451X		PRIMA I.® NOZZLE Ø 1.2 CP
	L424X	485.73.431	PRIMA I.® NOZZLE Ø 1.5 CP
	L30424X	485.73.431	PRIMA I.® NOZZLE Ø 1.5 CP
	L426X		PRIMA I.® NOZZLE Ø 1.7 CP
	L30426X		PRIMA I.® NOZZLE Ø 1.7 CP
	L425X	485.73.433	PRIMA I.® NOZZLE Ø 2.0 CP
	L30425X	485.73.433	PRIMA I.® NOZZLE Ø 2.0 CP
	L427X		PRIMA I.® NOZZLE Ø 2.5 CP
L30427X		PRIMA I.® NOZZLE Ø 2.5 CP	
L630X	485.73.43x	PRIMA I.® NOZZLE Ø 3.0 CP	
L30630X	485.73.43x	PRIMA I.® NOZZLE Ø 3.0 CP	
2	AL136	480.73.107	PRIMA I.® INSULATING RING-PLASTIC - HEAD 5" - ID 10
	AL163		PRIMA I.® INSULATING RING-PLASTIC - HEAD 7.5" - ID 11

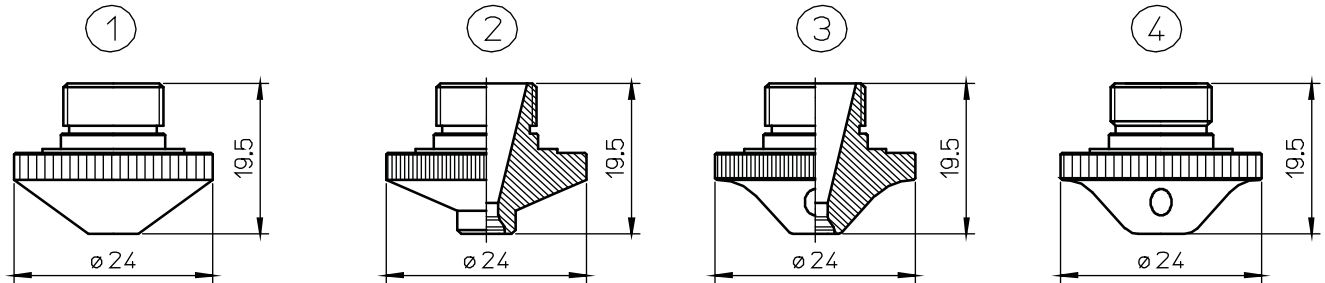
TOLL FREE 888.558.1504 (USA and Canada) T. 724.352.1504 F. 724.352.4980 WWW.IIVIINFRARED.COM

All original equipment manufacturer's names, drawings, colors, trademarks and part numbers are used for identification purposes only and we are in no way implying that any of our products are original equipment parts. All parts advertised for sale in this catalog are made for and/or by II-VI Incorporated.





POS	II-VI P/N	OEM P/N	DESCRIPTION
1	L532		PRIMA I.® NOZZLE Ø 0.8
	L312		PRIMA I.® NOZZLE Ø 1.0
	L362		PRIMA I.® NOZZLE Ø 1.2
	L207	LW6.1E.111	PRIMA I.® NOZZLE Ø 1.5
	L208	LW6.1E.112	PRIMA I.® NOZZLE Ø 2.0
	L209	LW6.1E.113	PRIMA I.® NOZZLE Ø 2.5
	L210	LW6.1E.114	PRIMA I.® NOZZLE Ø 3.0
	L312X		PRIMA I.® NOZZLE Ø 1.0 CP
	L362X		PRIMA I.® NOZZLE Ø 1.2 CP
	L207X	LW6.1E.111	PRIMA I.® NOZZLE Ø 1.5 CP
	L208X	LW6.1E.112	PRIMA I.® NOZZLE Ø 2.0 CP
	L209X	LW6.1E.113	PRIMA I.® NOZZLE Ø 2.5 CP
	L210X	LW6.1E.114	PRIMA I.® NOZZLE Ø 3.0 CP
2	L608	LW6.1G.500-LW6.1G.600	PRIMA I.® NOZZLE Ø 1.5
	L609	LW6.1G.501-LW6.1G.601	PRIMA I.® NOZZLE Ø 2.0
	L610	LW6.1G.502-LW6.1G.602	PRIMA I.® NOZZLE Ø 2.5
	L611	LW6.1G.503-LW6.1G.603	PRIMA I.® NOZZLE Ø 3.0
	L609X	LW6.1G.501-LW6.1G.601	PRIMA I.® NOZZLE Ø 2.0 CP
	L610X	LW6.1G.502-LW6.1G.602	PRIMA I.® NOZZLE Ø 2.5 CP
	L611X	LW6.1G.503-LW6.1G.603	PRIMA I.® NOZZLE Ø 3.0 CP
3	L905X	1059.70000.010	PRIMA I.® DOUBLE NOZZLE Ø 0.8 CP
	L900X	1059.70000.003	PRIMA I.® DOUBLE NOZZLE Ø 1.0 CP
	L907X	1059.70000.008	PRIMA I.® DOUBLE NOZZLE Ø 1.25 CP
	L901X	1059.70000.004	PRIMA I.® DOUBLE NOZZLE Ø 1.5 CP.
	L906X	1059.70000.009	PRIMA I.® DOUBLE NOZZLE Ø 1.75 CP
	L902X	1059.70000.005	PRIMA I.® DOUBLE NOZZLE Ø 2.0 CP
	L903X	1059.70000.006	PRIMA I.® DOUBLE NOZZLE Ø 2.5 CP
	L904X	1059.70000.007	PRIMA I.® DOUBLE NOZZLE Ø 3.0 CP

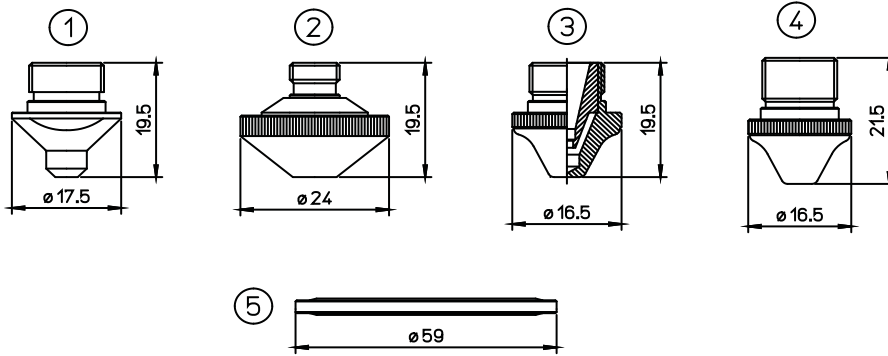


TOLL FREE 888.558.1504 (USA and Canada) T. 724.352.1504 F. 724.352.4980 WWW.IIVIINFRARED.COM

All original equipment manufacturer's names, drawings, colors, trademarks and part numbers are used for identification purposes only and we are in no way implying that any of our products are original equipment parts. All parts advertised for sale in this catalog are made for and/or by II-VI Incorporated.

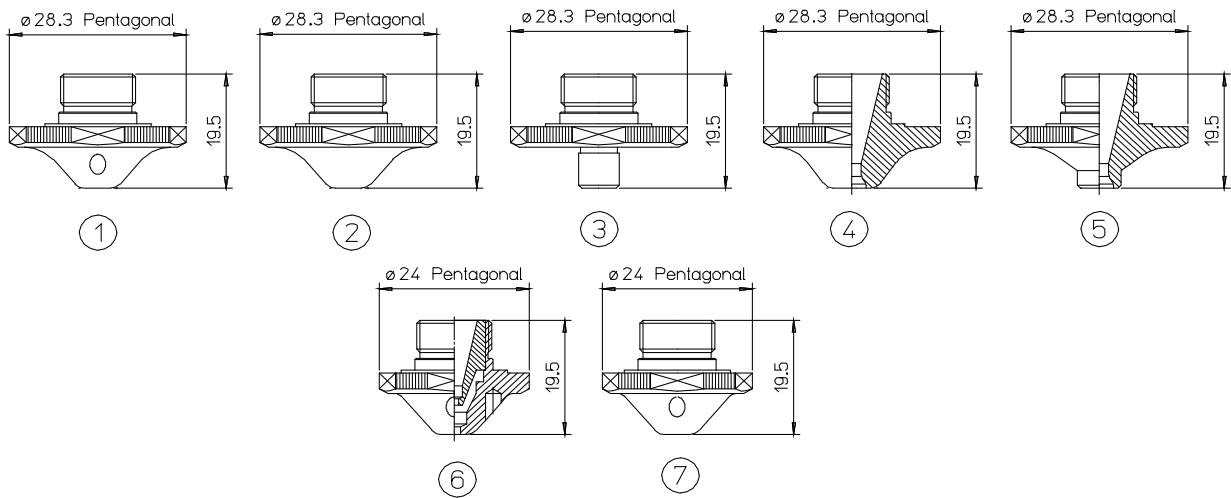


POS	II-VI P/N	OEM P/N	DESCRIPTION
1	L862		PRIMA I.® NOZZLE Ø 1.0
	L863		PRIMA I.® NOZZLE Ø 1.5
	L864		PRIMA I.® NOZZLE Ø 2.0
	L865		PRIMA I.® NOZZLE Ø 2.5
	L866		PRIMA I.® NOZZLE Ø 3.0
2	L1165X	LW6.1G.650	PRIMA I.® NOZZLE Ø 3.0 CP
3	L1208X	LW6. 1G. 608	PRIMA I.® NOZZLE Ø 3.0 DL TYPE CP
	L1209X	LW6. 1G. 609	PRIMA I.® NOZZLE Ø 3.5 DL TYPE CP
4	L1167X	LW6. 1G. 604	PRIMA I.® NOZZLE Ø 1.5 CP
	L1166X		PRIMA I.® NOZZLE Ø 1.75 CP
	L1168X	LW6. 1G. 605	PRIMA I.® NOZZLE Ø 2.0 CP
	L1169X	LW6. 1G. 606	PRIMA I.® NOZZLE Ø 2.5 CP
	L1170X	LW6. 1G. 607	PRIMA I.® NOZZLE Ø 3.0 CP





POS	II-VI P/N	OEM P/N	DESCRIPTION
1	L922	750.42.559	PRIMA I.® NOZZLE Ø 0.3
	L891		PRIMA I.® NOZZLE Ø 1.0
	L892	750.42.550	PRIMA I.® NOZZLE Ø 1.5
	L893	750.42.551	PRIMA I.® NOZZLE Ø 2.0
	L894	750.42.552	PRIMA I.® NOZZLE Ø 2.5
	L895	750.42.553	PRIMA I.® NOZZLE Ø 3.0
	L891X		PRIMA I.® NOZZLE Ø 1.0 CP
	L892X	750.42.550	PRIMA I.® NOZZLE Ø 1.5 CP
	L893X	750.42.551	PRIMA I.® NOZZLE Ø 2.0 CP
	L894X	750.42.552	PRIMA I.® NOZZLE Ø 2.5 CP
	L895X	750.42.553	PRIMA I.® NOZZLE Ø 3.0 CP
2	L875		PRIMA I.® L.W. NOZZLE Ø 1.0
	L876		PRIMA I.® L.W. NOZZLE Ø 1.5
	L877	LW3.1E.102	PRIMA I.® L.W. NOZZLE Ø 2.0
	L878	LW3.1E.103	PRIMA I.® L.W. NOZZLE Ø 2.5
	L879	LW3.1E.104	PRIMA I.® L.W. NOZZLE Ø 3.0
3	L1239X	520.17.111	PRIMA I.® DOUBLE NOZZLE Ø 1.5 CP
	L1240X	520.17.114	PRIMA I.® DOUBLE NOZZLE Ø 2.0 CP
	L1241X	750.43.560	PRIMA I.® DOUBLE NOZZLE Ø 2.5 CP
	L1242X	750.43.561	PRIMA I.® DOUBLE NOZZLE Ø 3.0 CP
	L1243X	750.43.562	PRIMA I.® DOUBLE NOZZLE Ø 3.5 CP
4	L1211X	787.04.515	PRIMA I.® NOZZLE Ø 1.25 CP
	L1212X	787.04.512	PRIMA I.® NOZZLE Ø 1.5 CP
	L1217X	787.04.516	PRIMA I.® NOZZLE Ø 1.75 CP
	L1213X	787.04.513	PRIMA I.® NOZZLE Ø 2.0 CP
	L1214X	787.04.514	PRIMA I.® NOZZLE Ø 2.5 CP
5	AL259	1058.36520.720	PRIMA I.® GASKET FOR LENS



TOLL FREE 888.558.1504 (USA and Canada) T. 724.352.1504 F. 724.352.4980 WWW.IIVIINFRARED.COM

All original equipment manufacturer's names, drawings, colors, trademarks and part numbers are used for identification purposes only and we are in no way implying that any of our products are original equipment parts. All parts advertised for sale in this catalog are made for and/or by II-VI Incorporated.

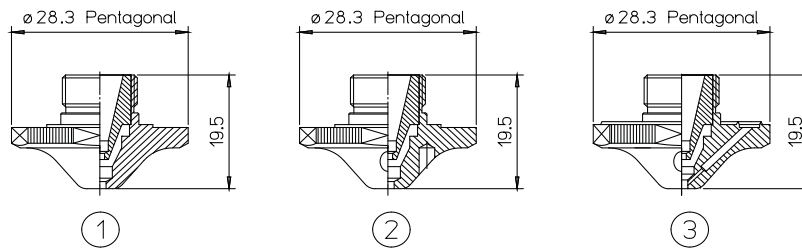


POS	II-VI P/N	OEM P/N	DESCRIPTION
1	L1428X	LW6.1G.660	PRIMA I.® NOZZLE PENT Ø 0.8 CP
	L1429X	LW6.1G.661	PRIMA I.® NOZZLE PENT Ø 1.0 CP
	L1430X	LW6.1G.662	PRIMA I.® NOZZLE PENT Ø 1.25 CP
	L1431X	LW6.1G.663	PRIMA I.® NOZZLE PENT Ø 1.5 CP
	L1432X	LW6.1G.664	PRIMA I.® NOZZLE PENT Ø 1.75 CP
	L1433X	LW6.1G.665	PRIMA I.® NOZZLE PENT Ø 2.0 CP
	L1434X	LW6.1G.666	PRIMA I.® NOZZLE PENT Ø 2.25 CP
	L1435X	LW6.1G.667	PRIMA I.® NOZZLE PENT Ø 2.5 CP
	L1436X	LW6.1G.668	PRIMA I.® NOZZLE PENT Ø 2.75 CP
	L1437X	LW6.1G.669	PRIMA I.® NOZZLE PENT Ø 3.0 CP
	L1438X	LW6.1G.670	PRIMA I.® NOZZLE PENT Ø 3.5 CP
2	L1807X	LW6.1G.103	PRIMA I.® NOZZLE PENT Ø 1.5 CP
	L1808X	LW6.1G.105	PRIMA I.® NOZZLE PENT Ø 2.0 CP
	L1809X	LW6.1G.107	PRIMA I.® NOZZLE PENT Ø 2.5 CP
	L1810X	LW6.1G.109	PRIMA I.® NOZZLE PENT Ø 3.0 CP
3	L1477X	LW6.1G.699	PRIMA I.® NOZZLE PENT Ø 1.5 CYL
	L1478X	LW6.1G.700	PRIMA I.® NOZZLE PENT Ø 2.0 CYL
	L1479X	LW6.1G.701	PRIMA I.® NOZZLE PENT Ø 2.5 CYL
	L1480X	LW6.1G.702	PRIMA I.® NOZZLE PENT Ø 3.0 CYL
4	L1837X	LW6.1G.522a	PRIMA I.® NOZZLE PENT Ø 3-4.5 DL CP
5	L1838X	LW6.1G.524	PRIMA I.® NOZZLE PENT Ø 3 DL CP
6	L1540X	LW6.1G.643	PRIMA I.® DOUBLE NOZZLE PENT Ø 1.5 CP
	L1541X	LW6.1G.645	PRIMA I.® DOUBLE NOZZLE PENT Ø 2.0 CP
	L1542X	LW6.1G.647	PRIMA I.® DOUBLE NOZZLE PENT Ø 2.5 CP
7	L1533X	LW6.1G.633	PRIMA I.® NOZZLE PENT Ø 1.5 CP
	L1534X	LW6.1G.635	PRIMA I.® NOZZLE PENT Ø 2.0 CP
	L1535X	LW6.1G.637	PRIMA I.® NOZZLE PENT Ø 2.5 CP

CP = CHROME PLATED

TOLL FREE 888.558.1504 (USA and Canada) T. 724.352.1504 F. 724.352.4980 WWW.IIVIINFRARED.COM

All original equipment manufacturer's names, drawings, colors, trademarks and part numbers are used for identification purposes only and we are in no way implying that any of our products are original equipment parts. All parts advertised for sale in this catalog are made for and/or by II-VI Incorporated.



TOLL FREE 888.558.1504 (USA and Canada) T. 724.352.1504 F. 724.352.4980 WWW.IIVIINFRARED.COM

All original equipment manufacturer's names, drawings, colors, trademarks and part numbers are used for identification purposes only and we are in no way implying that any of our products are original equipment parts. All parts advertised for sale in this catalog are made for and/or by II-VI Incorporated.



POS	II-VI P/N	OEM P/N	DESCRIPTION
1	L1783X		PRIMA I.® DOUBLE NOZZLE PENT Ø 1.25 CP
	L1784X		PRIMA I.® DOUBLE NOZZLE PENT Ø 1.5 CP
	L1785X		PRIMA I.® DOUBLE NOZZLE PENT Ø 1.75 CP
	L1786X		PRIMA I.® DOUBLE NOZZLE PENT Ø 2.0 CP
	L1787X		PRIMA I.® DOUBLE NOZZLE PENT Ø 2.5 CP
	L1788X		PRIMA I.® DOUBLE NOZZLE PENT 25-20 CP
	L1789X		PRIMA I.® DOUBLE NOZZLE PENT Ø 3.0 CP
	L1790X		PRIMA I.® DOUBLE NOZZLE PENT 30-20 CP
	L1791X		PRIMA I.® DOUBLE NOZZLE PENT 35-30 CP
	L1462		PRIMA I.® DOUBLE NOZZLE PENT Ø 3.0
	L1463		PRIMA I.® DOUBLE NOZZLE PENT Ø 3.5
	L1464		PRIMA I.® DOUBLE NOZZLE PENT Ø 4.0
	L1472		PRIMA I.® DOUBLE NOZZLE PENT Ø 5.0
	L1473		PRIMA I.® DOUBLE NOZZLE PENT Ø 7.0
2	L1440X		PRIMA I.® DOUBLE NOZZLE PENT Ø 0.8 CP
	L1441X		PRIMA I.® DOUBLE NOZZLE PENT Ø 1.0 CP
	L1442X		PRIMA I.® DOUBLE NOZZLE PENT Ø 1.25 CP
	L1443X		PRIMA I.® DOUBLE NOZZLE PENT Ø 1.5 CP
	L1444X		PRIMA I.® DOUBLE NOZZLE PENT Ø 1.75 CP
	L1445X		PRIMA I.® DOUBLE NOZZLE PENT Ø 2.0 CP
	L1446X		PRIMA I.® DOUBLE NOZZLE PENT Ø 2.25 CP
	L1447X		PRIMA I.® DOUBLE NOZZLE PENT Ø 2.5 CP
	L1448X		PRIMA I.® DOUBLE NOZZLE PENT Ø 2.75 CP
	L1449X		PRIMA I.® DOUBLE NOZZLE PENT Ø 3.0 CP
	L1465		PRIMA I.® DOUBLE NOZZLE BRILLIANT Ø 3.0
	L1466		PRIMA I.® DOUBLE NOZZLE BRILLIANT Ø 3.5
	L1467		PRIMA I.® DOUBLE NOZZLE BRILLIANT Ø 4.0
	L1468		PRIMA I.® DOUBLE NOZZLE BRILLIANT Ø 5.0
L1469		PRIMA I.® DOUBLE NOZZLE BRILLIANT Ø 7.0	
3	L1453X		PRIMA I.® TRIPLE NOZZLE PENT Ø 1.25 CP
	L1454X		PRIMA I.® TRIPLE NOZZLE PENT Ø 1.5 CP
	L1455X		PRIMA I.® TRIPLE NOZZLE PENT Ø 1.75 CP
	L1456X		PRIMA I.® TRIPLE NOZZLE PENT Ø 2.0 CP
	L1457X		PRIMA I.® TRIPLE NOZZLE PENT Ø 2.25 CP
	L1458X		PRIMA I.® TRIPLE NOZZLE PENT Ø 2.5 CP
	L1459X		PRIMA I.® TRIPLE NOZZLE PENT Ø 2.75 CP
	L1460X		PRIMA I.® TRIPLE NOZZLE PENT Ø 3.0 CP

CP = CHROME PLATED



FOR ALL OF YOUR REPLACEMENT OPTIC NEEDS

CO₂ LASER OPTICS/CONSUMABLE PRODUCTS
 CO₂ LASER CONSUMABLES
 NOZZLES & ACCESSORIES
 TRUMPF CUT LENSES
 MP-5 ULTRA-LOW ABSORPTION LENSES
 ASPHERIC LENSES
 MENISCUS LENSES
 PLANO-CONVEX LENSES
 CYLINDER LENSES
 MIRRORS
 SCANNING LASER SYSTEM OPTICS
 BEAM COMBINERS
 BEAM EXPANDERS
 BEAMSPLITTERS
 COLLIMATING OPTICS
 DIAMOND-TURNED SPECIALTY OPTICS
 REFLECTIVE PHASE RETARDERS
 PRISMS & RHOMBS
 MODULATORS
 WAVEPLATES
 THIN-FILM POLARIZERS
 POLARIZER-ANALYZER-ATTENUATOR

RESONATOR OPTICS
 OUTPUT COUPLERS
 REAR MIRRORS
 BAND-SELECTIVE OPTICS
 AR-COATED WINDOWS
 BREWSTER WINDOWS
 PROTECTIVE WINDOWS
 LENS STRESS ANALYZER(LSA)
 1 MICRON OPTICS
 1 MICRON OPTICAL COMPONENTS
 1 MICRON DEBRIS SHIELDS
 1 MICRON HPDDL BEAM INTEGRATORS
 1 MICRON OPTICAL COATINGS
 1 MICRON MATERIALS
 OPTICAL MATERIALS
 ZINC SELENIDE (ZNSE)
 ZINC SULFIDE (ZNS)
 ZINC SULFIDE MULTISPECTRAL (ZNS MS)
 GERMANIUM (GE)
 GALLIUM ARSENIDE (GAAS)
 MATERIAL BLANKS
 CVD DIAMOND SUBSTRATES
 IR THERMAL IMAGING OPTICS



TOLL FREE 888.558.1504 (USA and Canada) T. 724.352.1504 F. 724.352.4980 WWW.II-VIINFRARED.COM

All original equipment manufacturer's names, drawings, colors, trademarks and part numbers are used for identification purposes only and we are in no way implying that any of our products are original equipment parts. All parts advertised for sale in this catalog are made for and/or by II-VI Incorporated.



WORLDWIDE SALES OFFICES

To place an order, contact a II-VI sales representative at any of the following locations, or visit www.iiviiinfrared.com/contact for our most complete and up-to-date contact information.

**II-VI INFRARED**

375 SAXONBURG BLVD
SAXONBURG, PA 16056
UNITED STATES
888-558-1504 (Toll free in USA)
T. 724-352-1504
F. 724-352-4980
info@iiviiinfrared.com

II-VI WEST

36570 BRIGGS ROAD
MURRIETA, CA 92563
USA
800.262.5273 (Toll free in USA)
T. 951.926.7640
F. 951.926.8218
info@iiviiinfrared.com

II-VI BENELUX N.V.

BAAIKENSSTRAAT 21/2
B-9240 ZELE
BELGIUM
T. 32 (0) 52 45 86 10
F. 32 (0) 52 45 86 11
sales@ii-vi.be

II-VI DEUTSCHLAND GmbH

BRUNNENWEG 19-21
D-64331 WEITERSTADT
GERMANY
T. 49 6150 54 39-226
F. 49 6150 54 39-200
ir.Info.de@ii-vi.com

II-VI ITALIA S.r.l.

VIA ANDREA COSTA
31-20131 MILANO
ITALY
T. 39 02 2828740
F. 39 02 26149131
ir.info.it@ii-vi.com

II-VI SUISSE S.a.r.l.

MOULIN-DU-CHOC
1122 ROMANEL-SUR-MORGES
SWITZERLAND
T. 41 2186 902 52
F. 41 2186 993 08
info@ii-vi.ch

II-VI UK LTD.

UNIT 20B, OAKHAM ENTERPRISE
PARK, ASHWELL ROAD, OAKHAM,
RUTLAND, LE15 7TU
UNITED KINGDOM
T. 44 1572 771 778
F. 44 1572 771 779
sales@ii-vi.co.uk

II-VI JAPAN

WBG MARIVE EAST 26F
NAKASE 2-6-1
MIHAMA-KU, CHIBA-SHI
CHIBA 261-7126
JAPAN
T. 81 43297 2693
F. 81 43297 3003
center@ii-vi.co.jp

II-VI SINGAPORE PTE. LTD.

BLK. 5012, TECHPLACE II
#04-07 & 05-07/12,
ANG MO KIO AVE. 5
SINGAPORE 569876
T. 65 6481 8215
F. 65 6481 8702
ir.sales.sg@ii-vi.com

II-VI INFRARED LASER(SUZHOU)

BLOCK D#01-01/02
NO. 5 XING HAN STREET
SUZHOU INDUSTRIAL PARK
SUZHOU, CHINA 215101
T. 86 512 6761 9295
F. 86 512 6767 1207
infosz@ii-vi.com.cn

II-VI KOREA

WEST 1502 HANSHIN INTERVALLEY
322 TEHERAN-RO
SEOUL, KOREA 06211
T. 82 2 6242 2626
F. 82 2 6242 2627
jchoi@ii-vi.com

II-VI TAIWAN

8FL, 285 SEC 2 TIDING BLVD.
TAIPEI 114, TAIWAN
REPUBLIC OF CHINA
T. 886 2 87512155
F. 886 2 26582276
ir.sales.tw@ii-vi.com