

II-VI INFRARED

www.iiviinfrared.com

CO₂ & FIBER LASER NOZZLES AND ACCESSORIES



TRUMPF®



TOLL FREE 888.558.1504 (USA and Canada)
TEL. 724.352.1504 FAX. 724.352.4980



About II-VI INFRARED

In 1971, II-VI Incorporated began by exclusively producing the highest-quality cadmium telluride (CdTe) material available for manufacturing high-power industrial CO₂ laser optics. Today, we have diversified into producing zinc selenide (ZnSe) material, as well as into numerous business units including laser tools for materials processing (HIGHYAG); near-infrared optics, YAG components, and telecommunications components (VLOC); fiber optics, projection and display optics, DPSS laser, crystal materials, and other photonics products (Photop); defense and aerospace optics (Exotic Electro-Optics); tellurium and selenium products (PRM); thermoelectric cooling devices (Marlow Industries); silicon carbide (II-VI WBG); and advanced materials development (II-VI AMDC). Given this diversity of II-VI Incorporated's business units, we have thus christened our original IR materials and optics business unit II-VI Infrared.

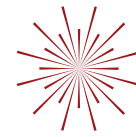
As II-VI Incorporated continues to grow, II-VI Infrared focuses on the company's original, industry-leading products: infrared and CO₂ laser optics and materials. And thanks to decades of innovation in zinc selenide (ZnSe) and zinc sulfide (ZnS) materials processing, thin-film coating, precision diamond turning, and finished optics fabrication, II-VI Infrared is the world leader in CO₂ laser optics, delivering an unbeatable combination of innovation, quality, and expertise. II-VI Infrared also delivers the largest vertically integrated CO₂ laser optics manufacturing process -- from raw materials to finished coated products -- in the world.

An optics foundry to CO₂ laser original equipment manufacturers (OEMs) the world over, consistently building optics to spec with consistent performance and quality, II-VI Infrared's products range from replacement CO₂ laser optics and nozzles to lenses, partial reflectors, windows, beamsplitters, mirrors, beam expanders, reflective phase retarders, scanning-laser system optics, diamond-turned custom optics, IR optical materials (ZnSe, ZnS, CVD Diamond), and more. Our products and reputation make us the number-one supplier to OEMs of CO₂ laser systems worldwide, while our capabilities are without rival in the industry.

Our diamond-turning facility is among the largest and most advanced in the world, offering services such as flycutting and multiple-axis turning, as well as fast and slow tool servos for custom optics. Single-point diamond-turning is used in finishing transmissive optics and mirrors in a variety of metals and IR materials.

Major investments in computer design programs, thin film evaporation equipment, clean rooms, and QA testing facilities enable us to offer a broad range of IR thin-film coatings. II-VI Infrared is known for designing and producing consistently low-absorption coatings for high-power CO₂ laser optics. Additionally, our talented and experienced engineering team using optical design software and CAD systems, designs and builds standard and custom optics as well as specialized mounts, components, and electro-optic assemblies.

Our quality assurance program includes comprehensive testing, documentation, and statistical analysis to ensure that each optic and component performs to customer requirements.



TRUMPF® CONTENTS

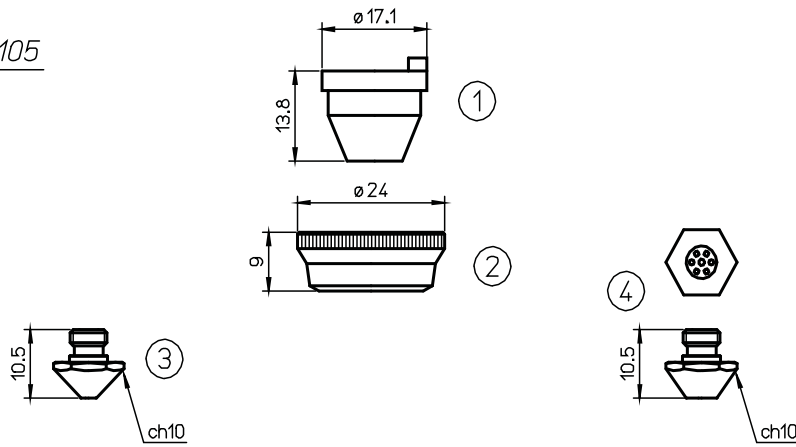
<p>LASER TLC 105</p> <p>3-4</p>	<p>11-12</p>			
<p>LASER TLC 105</p> <p>5-6</p>	<p>13-14</p>	<p>19-20</p>		
<p>LASER TLC 105</p> <p>7-8</p>	<p>15-16</p>	<p>21-22</p>	<p>27-28</p>	
<p>9-10</p>	<p>17-18</p>	<p>SPECIAL NOZZLES</p> <p>23-24</p>	<p>29-30</p>	<p>35-36</p>
		<p>25-26</p>	<p>31-32</p>	<p>37-38</p>
				<p>39-40</p>
				<p>33-34</p>

TOLL FREE 888.558.1504 (USA and Canada) T. 724.352.1504 F. 724.352.4980 WWW.II-VIINFRARED.COM

All original equipment manufacturer's names, drawings, colors, trademarks and part numbers are used for identification purposes only and we are in no way implying that any of our products are original equipment parts. All parts advertised for sale in this catalog are made for and/or by II-VI Incorporated.



LASER TLC 105

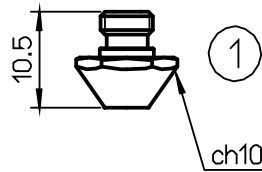




POS	II-VI P/N	OEM P/N	DESCRIPTION
1	AL53	280408-092405	TRUMPF® ORIG. NOZZLE HOLDER KT M1.5" KN
2	AL177	280550-P0494-940-00001	TRUMPF® ORIG. RING
3	L211	226939	TRUMPF® NOZZLE Ø 1.0
	L40211	226939	TRUMPF® NOZZLE Ø 1.0
	L212		TRUMPF® NOZZLE Ø 1.4
	L40212		TRUMPF® NOZZLE Ø 1.4
	L213		TRUMPF® NOZZLE Ø 1.7
	L40213		TRUMPF® NOZZLE Ø 1.7
	L211X	226939	TRUMPF® NOZZLE Ø 1.0 CP
	L40211X	226939	TRUMPF® NOZZLE Ø 1.0 CP
	L212X		TRUMPF® NOZZLE Ø 1.4 CP
	L40212X		TRUMPF® NOZZLE Ø 1.4 CP
	L213X		TRUMPF® NOZZLE Ø 1.7 CP
	L40213X		TRUMPF® NOZZLE Ø 1.7 CP
	L214		TRUMPF® NOZZLE Ø 1.0 HD
	L40214		TRUMPF® NOZZLE Ø 1.0 HD
	L215	226940	TRUMPF® NOZZLE Ø 1.4 HD
	L40215	226940	TRUMPF® NOZZLE Ø 1.4 HD
	L216	227144	TRUMPF® NOZZLE Ø 1.7 HD
	L40216	227144	TRUMPF® NOZZLE Ø 1.7 HD
	L214X		TRUMPF® NOZZLE Ø 1.0 HD CP
	L40214X		TRUMPF® NOZZLE Ø 1.0 HD CP
	L215X	226940	TRUMPF® NOZZLE Ø 1.4 HD CP
L40215X	226940	TRUMPF® NOZZLE Ø 1.4 HD CP	
L216X	227144	TRUMPF® NOZZLE Ø 1.7 HD CP	
L40216X	227144	TRUMPF® NOZZLE Ø 1.7 HD CP	
4	L395	237364	TRUMPF® SHOWER NOZZLE Ø 1.0
	L40395	237364	TRUMPF® SHOWER NOZZLE Ø 1.0



LASER TLC 105

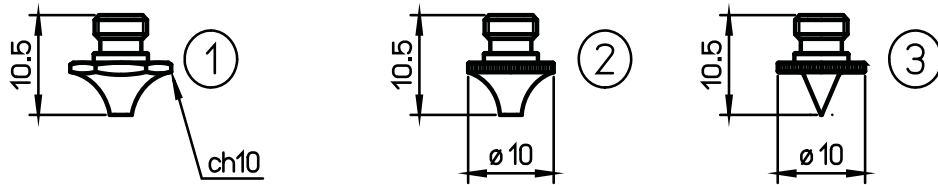




POS	II-VI P/N	OEM P/N	DESCRIPTION
1	L1150	135420-1354230	TRUMPF® NOZZLE Ø 0.8
	L401150	135420-1354230	TRUMPF® NOZZLE Ø 0.8
	L255	212334	TRUMPF® NOZZLE Ø 1.0
	L40255	212334	TRUMPF® NOZZLE Ø 1.0
	L1150X	135420-1354230	TRUMPF® NOZZLE Ø 0.8 CP
	L401150X	135420-1354230	TRUMPF® NOZZLE Ø 0.8 CP
	L255X	212334	TRUMPF® NOZZLE Ø 1.0 CP
	L40255X	212334	TRUMPF® NOZZLE Ø 1.0 CP
	L1151		TRUMPF® NOZZLE Ø 0.8 HD
	L401151		TRUMPF® NOZZLE Ø 0.8 HD
	L270		TRUMPF® NOZZLE Ø 1.0 HD
	L40270		TRUMPF® NOZZLE Ø 1.0 HD
	L1154	1479581	TRUMPF® NOZZLE Ø 1.2 HD
	L401154	1479581	TRUMPF® NOZZLE Ø 1.2 HD
	L256	216199	TRUMPF® NOZZLE Ø 1.4 HD
	L40256	216199	TRUMPF® NOZZLE Ø 1.4 HD
	L257	225213	TRUMPF® NOZZLE Ø 1.7 HD
	L40257	225213	TRUMPF® NOZZLE Ø 1.7 HD
	L277	126156	TRUMPF® NOZZLE Ø 2.3 HD
	L40277	126156	TRUMPF® NOZZLE Ø 2.3 HD
	L1149		TRUMPF® NOZZLE Ø 2.3 HD
	L401149		TRUMPF® NOZZLE Ø 2.3 HD
	L1152		TRUMPF® NOZZLE Ø 2.7 HD
	L401152		TRUMPF® NOZZLE Ø 2.7 HD
	L1151X		TRUMPF® NOZZLE Ø 0.8 HD CP
	L401151X		TRUMPF® NOZZLE Ø 0.8 HD CP
	L270X		TRUMPF® NOZZLE Ø 1.0 HD CP
	L40270X		TRUMPF® NOZZLE Ø 1.0 HD CP
	L256X	216199	TRUMPF® NOZZLE Ø 1.4 HD CP
	L40256X	216199	TRUMPF® NOZZLE Ø 1.4 HD CP
	L257X	225213	TRUMPF® NOZZLE Ø 1.7 HD CP
	L40257X	225213	TRUMPF® NOZZLE Ø 1.7 HD CP
	L277X	126156	TRUMPF® NOZZLE Ø 2.3 HD CP
L40277X	126156	TRUMPF® NOZZLE Ø 2.3 HD CP	
L1152X		TRUMPF® NOZZLE Ø 2.7 HD CP	
L401152X		TRUMPF® NOZZLE Ø 2.7 HD CP	



LASER TLC 105

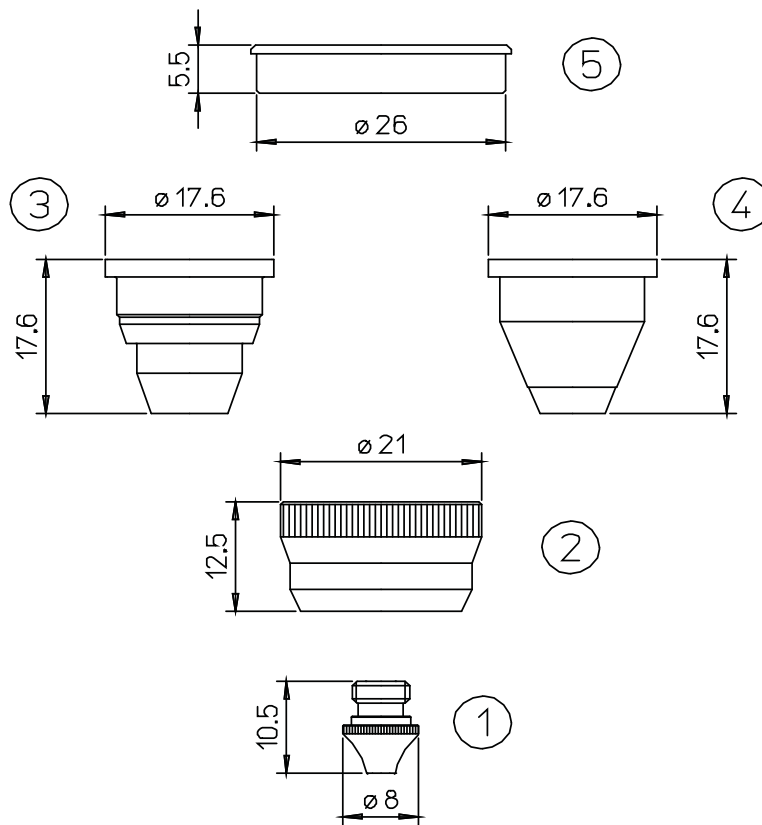




POS	II-VI P/N	OEM P/N	DESCRIPTION
1	L625		TRUMPF® NOZZLE Ø 1.0
	L40625		TRUMPF® NOZZLE Ø 1.0
	L625X		TRUMPF® NOZZLE Ø 1.0 CP
	L40625X		TRUMPF® NOZZLE Ø 1.0 CP
	L627		TRUMPF® NOZZLE Ø 1.0 HD
	L40627		TRUMPF® NOZZLE Ø 1.0 HD
	L628		TRUMPF® NOZZLE Ø 1.4 HD
	L40628		TRUMPF® NOZZLE Ø 1.4 HD
	L629		TRUMPF® NOZZLE Ø 1.7 HD
	L40629		TRUMPF® NOZZLE Ø 1.7 HD
	L627X		TRUMPF® NOZZLE Ø 1.0 HD CP
	L40627X		TRUMPF® NOZZLE Ø 1.0 HD CP
	L628X		TRUMPF® NOZZLE Ø 1.4 HD CP
	L40628X		TRUMPF® NOZZLE Ø 1.4 HD CP
	L629X		TRUMPF® NOZZLE Ø 1.7 HD CP
	L40629X		TRUMPF® NOZZLE Ø 1.7 HD CP
2	L746		TRUMPF® NOZZLE Ø 0.25
	L40746		TRUMPF® NOZZLE Ø 0.25
	L267	135320	TRUMPF® NOZZLE Ø 1.0 HD
	L40267	135320	TRUMPF® NOZZLE Ø 1.0 HD
	L1153		TRUMPF® NOZZLE Ø 1.2 HD
	L401153		TRUMPF® NOZZLE Ø 1.20 HD
	L268	135318	TRUMPF® NOZZLE Ø 1.4 HD
	L40268	135318	TRUMPF® NOZZLE Ø 1.4 HD
	L269	126157	TRUMPF® NOZZLE Ø 1.7 HD
	L40269	126157	TRUMPF® NOZZLE Ø 1.7 HD
	L267X	135320	TRUMPF® NOZZLE Ø 1.0 HD CP
	L40267X	135320	TRUMPF® NOZZLE Ø 1.0 HD CP
	L1153X		TRUMPF® NOZZLE Ø 1.2 HD CP
	L401153X		TRUMPF® NOZZLE Ø 1.2 HD CP
	L268X	135318	TRUMPF® NOZZLE Ø 1.4 HD CP
	L40268X	135318	TRUMPF® NOZZLE Ø 1.4 HD CP
	L269X	126157	TRUMPF® NOZZLE Ø 1.7 HD CP
	L40269X	126157	TRUMPF® NOZZLE Ø 1.7 HD CP
3	L747		TRUMPF® NOZZLE SHARP TIP

TOLL FREE 888.558.1504 (USA and Canada) T. 724.352.1504 F. 724.352.4980 WWW.II-VIINFRARED.COM

All original equipment manufacturer's names, drawings, colors, trademarks and part numbers are used for identification purposes only and we are in no way implying that any of our products are original equipment parts. All parts advertised for sale in this catalog are made for and/or by II-VI Incorporated.

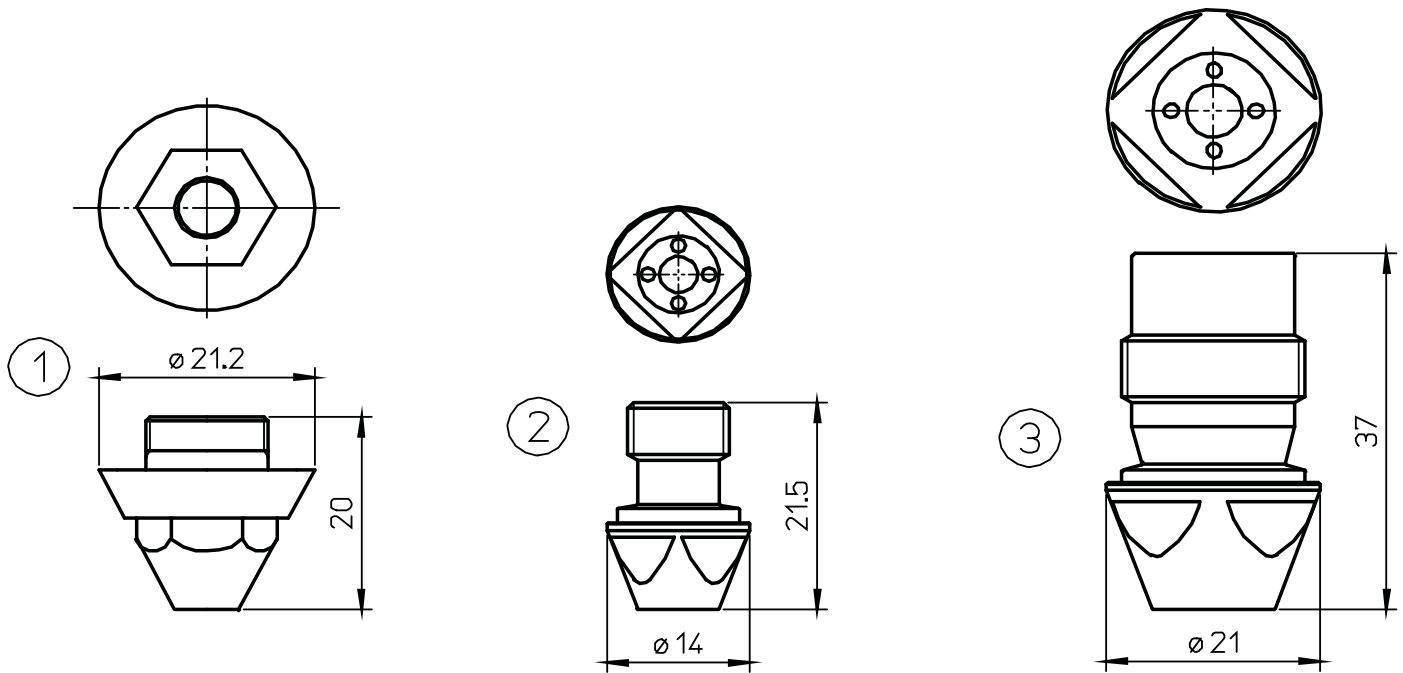




POS	II-VI P/N	OEM P/N	DESCRIPTION
1	L745	958206	TRUMPF® NOZZLE Ø 0.25
	L40745	958206	TRUMPF® NOZZLE Ø 0.25
	L500	913799	TRUMPF® NOZZLE Ø 0.8 HD
	L40500	913799	TRUMPF® NOZZLE Ø 0.8 HD
	L501	913800	TRUMPF® NOZZLE Ø 1.0 HD
	L40501	913800	TRUMPF® NOZZLE Ø 1.0 HD
	L498	1487034	TRUMPF® NOZZLE Ø 1.2 HD
	L40498	1487034	TRUMPF® NOZZLE Ø 1.2 HD
	L502	913801	TRUMPF® NOZZLE Ø 1.4 HD
	L40502	913801	TRUMPF® NOZZLE Ø 1.4 HD
	L503	937988	TRUMPF® NOZZLE Ø 1.7 HD
	L40503	937988	TRUMPF® NOZZLE Ø 1.7 HD
	L499		TRUMPF® NOZZLE Ø 1.75 HD
	L40499		TRUMPF® NOZZLE Ø 1.75 HD
	L508		TRUMPF® NOZZLE Ø 2.0 HD
	L40508		TRUMPF® NOZZLE Ø 2.0 HD
	L504	937989	TRUMPF® NOZZLE Ø 2.3 HD
	L40504	937989	TRUMPF® NOZZLE Ø 2.3 HD
	L500X	913799	TRUMPF® NOZZLE Ø 0.8 HD CP
	L40500X	913799	TRUMPF® NOZZLE Ø 0.8 HD CP
	L501X	913800	TRUMPF® NOZZLE Ø 1.0 HD CP
	L40501X	913800	TRUMPF® NOZZLE Ø 1.0 HD CP
	L498X		TRUMPF® NOZZLE Ø 1.2 HD CP
	L40498X		TRUMPF® NOZZLE Ø 1.2 HD CP
	L502X	913801	TRUMPF® NOZZLE Ø 1.4 HD CP
	L40502X	913801	TRUMPF® NOZZLE Ø 1.4 HD CP
	L503X	937988	TRUMPF® NOZZLE Ø 1.7 HD CP
	L40503X	937988	TRUMPF® NOZZLE Ø 1.7 HD CP
	L508X		TRUMPF® NOZZLE Ø 2.0 HD CP
	L40508X		TRUMPF® NOZZLE Ø 2.0 HD CP
L504X	937989	TRUMPF® NOZZLE Ø 2.3 HD CP	
L40504X	937989	TRUMPF® NOZZLE Ø 2.3 HD CP	
2	AL254	0913965	TRUMPF® RETAINER NUT
3	AL412	936678 - 913966/00-WO	TRUMPF® CERAMIC NOZZLE HOLDER
4	AL212	936678 - 913966/00-WO	TRUMPF® CERAMIC NOZZLE HOLDER
5	AL389	0960354	TRUMPF® PTFE INSULATOR

TOLL FREE 888.558.1504 (USA and Canada) T. 724.352.1504 F. 724.352.4980 WWW.IIVIINFRARED.COM

All original equipment manufacturer's names, drawings, colors, trademarks and part numbers are used for identification purposes only and we are in no way implying that any of our products are original equipment parts. All parts advertised for sale in this catalog are made for and/or by II-VI Incorporated.

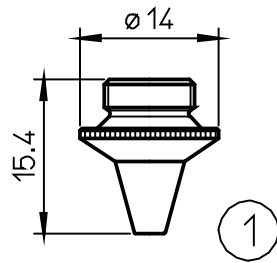




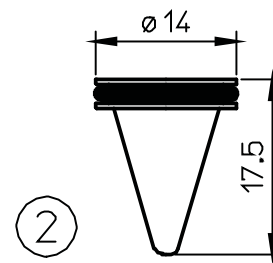
POS	II-VI P/N	OEM P/N	DESCRIPTION
1	L1010X	932530	TRUMPF® NOZZLE Ø 4.5 CP
2	L1185	924947	TRUMPF® WELDING NOZZLE M10
3	L1186	220783	TRUMPF® WELDING NOZZLE M18



TESTA YH27

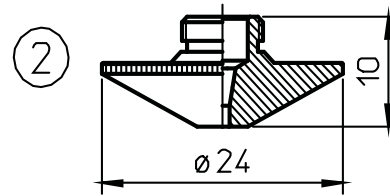
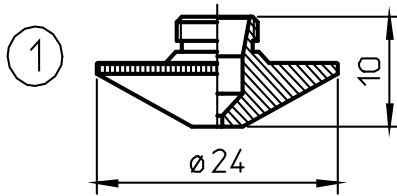


YAG





POS	II-VI P/N	OEM P/N	DESCRIPTION
1	L405	281813-P0589-424-00008	PRECITEC® NOZZLE Ø 0.8
	L30405	281813-P0589-424-00008	PRECITEC® NOZZLE Ø 0.8
	L406	281789-P0589-426-00010	PRECITEC® NOZZLE Ø 1.0
	L30406	281789-P0589-426-00010	PRECITEC® NOZZLE Ø 1.0
	L404	281561 - 778550	PRECITEC® NOZZLE Ø 1.2
	L30404	281561 - 778550	PRECITEC® NOZZLE Ø 1.2
	L407	281814 - 149957	PRECITEC® NOZZLE Ø 1.5
	L30407	281814 - 149957	PRECITEC® NOZZLE Ø 1.5
	L408	P0589-428-00020	PRECITEC® NOZZLE Ø 2.0
	L30408	P0589-428-00020	PRECITEC® NOZZLE Ø 2.0
	L405X	281813-P0589-424-00008	PRECITEC® NOZZLE Ø 0.8 CP
	L30405X	281813-P0589-424-00008	PRECITEC® NOZZLE Ø 0.8 CP
	L406X	281789-P0589-426-00010	PRECITEC® NOZZLE Ø 1.0 CP
	L30406X	281789-P0589-426-00010	PRECITEC® NOZZLE Ø 1.0 CP
	L404X	281561 - 778550 - P0589-425-00012	PRECITEC® NOZZLE Ø 1.2 CP
	L30404X	281561 - 778550	PRECITEC® NOZZLE Ø 1.2 CP
	L407X	281814 - 149957	PRECITEC® NOZZLE Ø 1.5 CP
	L30407X	281814 - 149957	PRECITEC® NOZZLE Ø 1.5 CP
	L408X	P0589-428-00020	PRECITEC® NOZZLE Ø 2.0 CP
	L30408X	P0589-428-00020	PRECITEC® NOZZLE Ø 2.0 CP
2	L507	12-11-16-00	TRUMPF® HAAS® YAG NOZZLE Ø 0.8 W/O-RING
	L506		TRUMPF® HASS® YAG NOZZLE Ø 1.0 W/O-RING
	L505	12-11-09-17/00	TRUMPF® HASS® YAG NOZZLE Ø 1.2 W/O-RING

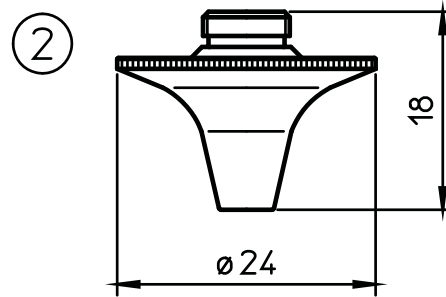
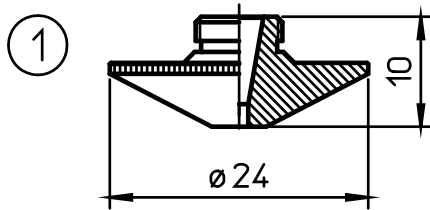




POS	II-VI P/N	OEM P/N	DESCRIPTION	
1	L18	124561-237499	TRUMPF® NOZZLE Ø 0.8	
	L3018	124561-237499	TRUMPF® NOZZLE Ø 0.8	
	L19	124562-237498	TRUMPF® NOZZLE Ø 1.0	
	L3019	124562-237498	TRUMPF® NOZZLE Ø 1.0	
	L361	966809	TRUMPF® NOZZLE Ø 1.2	
	L30361	966809	TRUMPF® NOZZLE Ø 1.2	
	L795		TRUMPF® NOZZLE Ø 1.4	
	L30795		TRUMPF® NOZZLE Ø 1.4	
	L26	237500	TRUMPF® NOZZLE Ø 1.5	
	L3026	237500	TRUMPF® NOZZLE Ø 1.5	
	L796		TRUMPF® NOZZLE Ø 1.7	
	L30796		TRUMPF® NOZZLE Ø 1.7	
	L24	237503	TRUMPF® NOZZLE Ø 2.0	
	L3024	237503-1253211	TRUMPF® NOZZLE Ø 2.0	
	L797	124564	TRUMPF® NOZZLE Ø 2.3	
	L30797	124564	TRUMPF® NOZZLE Ø 2.3	
	L25	237504	TRUMPF® NOZZLE Ø 3.0	
	L3025	237504	TRUMPF® NOZZLE Ø 3.0	
	L18X	352280	TRUMPF® NOZZLE Ø 0.8 CP	
	L3018X	352280	TRUMPF® NOZZLE Ø 0.8 CP	
	L19X	352281	TRUMPF® NOZZLE Ø 1.0 CP	
	L3019X	352281	TRUMPF® NOZZLE Ø 1.0 CP	
	L361X	352282	TRUMPF® NOZZLE Ø 1.2 CP	
	L30361X	352282	TRUMPF® NOZZLE Ø 1.2 CP	
	L795X		TRUMPF® NOZZLE Ø 1.4 CP	
	L30795X		TRUMPF® NOZZLE Ø 1.4 CP	
	L26X	352288	TRUMPF® NOZZLE Ø 1.5 CP	
	L3026X	352288	TRUMPF® NOZZLE Ø 1.5 CP	
	L796X		TRUMPF® NOZZLE Ø 1.7 CP	
	L30796X		TRUMPF® NOZZLE Ø 1.7 CP	
	L24X		TRUMPF® NOZZLE Ø 2.0 CP	
	L3024X		TRUMPF® NOZZLE Ø 2.0 CP	
L797X	124564	TRUMPF® NOZZLE Ø 2.3 CP		
L30797X	124564	TRUMPF® NOZZLE Ø 2.3 CP		
L25X	237504	TRUMPF® NOZZLE Ø 3.0 CP		
L3025X		TRUMPF® NOZZLE Ø 3.0 CP		
2	L20	237497	TRUMPF® NOZZLE Ø 1.4 HD	
	L3020	237497	TRUMPF® NOZZLE Ø 1.4 HD	
	L20X	352283	TRUMPF® NOZZLE Ø 1.4 HD CP	
	L3020X	352283	TRUMPF® NOZZLE Ø 1.4 HD CP	

TOLL FREE 888.558.1504 (USA and Canada) T. 724.352.1504 F. 724.352.4980 WWW.IIVIINFRARED.COM

All original equipment manufacturer's names, drawings, colors, trademarks and part numbers are used for identification purposes only and we are in no way implying that any of our products are original equipment parts. All parts advertised for sale in this catalog are made for and/or by II-VI Incorporated.

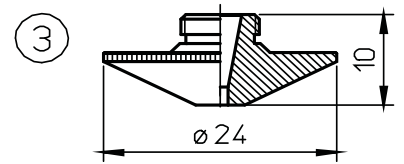
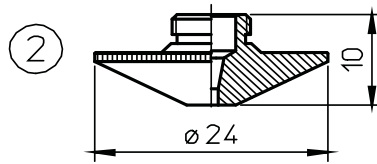
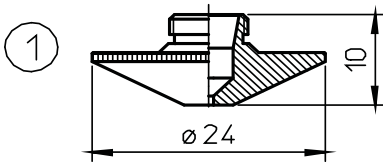




POS	II-VI P/N	OEM P/N	DESCRIPTION	
1	L258	237497/S	TRUMPF® NOZZLE Ø 1.4 HD	
	L30258	237497/S	TRUMPF® NOZZLE Ø 1.4 HD	
	L21	237501	TRUMPF® NOZZLE Ø 1.7 HD	
	L3021	237501	TRUMPF® NOZZLE Ø 1.7 HD	
	L168	237502	TRUMPF® NOZZLE Ø 2.0 HD	
	L30168	237502	TRUMPF® NOZZLE Ø 2.0 HD	
	L76	126933	TRUMPF® NOZZLE Ø 2.3 HD	
	L3076	126933	TRUMPF® NOZZLE Ø 2.3 HD	
	L185		TRUMPF® NOZZLE Ø 2.5 HD	
	L30185		TRUMPF® NOZZLE Ø 2.5 HD	
	L360	942742	TRUMPF® NOZZLE Ø 2.7 HD	
	L30360	942742	TRUMPF® NOZZLE Ø 2.7 HD	
	L396		TRUMPF® NOZZLE Ø 3.0 HD	
	L30396		TRUMPF® NOZZLE Ø 3.0 HD	
	L258X	237497/S	TRUMPF® NOZZLE Ø 1.4 HD CP	
	L30258X		TRUMPF® NOZZLE Ø 1.4 HD CP	
	L21X	352284	TRUMPF® NOZZLE Ø 1.7 HD CP	
	L3021X	352284	TRUMPF® NOZZLE Ø 1.7 HD CP	
	L168X	352287	TRUMPF® NOZZLE Ø 2.0 HD CP	
	L30168X	237502	TRUMPF® NOZZLE Ø 2.0 HD CP	
	L76X	352285	TRUMPF® NOZZLE Ø 2.3 HD CP	
	L3076X	352285	TRUMPF® NOZZLE Ø 2.3 HD CP	
	L185X		TRUMPF® NOZZLE Ø 2.5 HD CP	
	L30185X		TRUMPF® NOZZLE Ø 2.5 HD CP	
	L360X	352286	TRUMPF® NOZZLE Ø 2.7 HD CP	
	L30360X	352286	TRUMPF® NOZZLE Ø 2.7 HD CP	
	L396X		TRUMPF® NOZZLE Ø 3.0 HD CP	
	L30396X		TRUMPF® NOZZLE Ø 3.0 HD CP	
	2	L1550	1277773	TRUMPF® NOZZLE Ø 0.8
		L1551	1277771	TRUMPF® NOZZLE Ø 1.0
L1552		1277774	TRUMPF® NOZZLE Ø 1.2	
L1553		1277776	TRUMPF® NOZZLE Ø 1.4	
L1554		1277779	TRUMPF® NOZZLE Ø 1.7	
L1555		1277780	TRUMPF® NOZZLE Ø 2.0	
L1556		1277781	TRUMPF® NOZZLE Ø 2.3	
L1557		1277782	TRUMPF® NOZZLE Ø 2.7	
L1550X			TRUMPF® NOZZLE Ø 0.8 CP	
L1551X			TRUMPF® NOZZLE Ø 1.0 CP	
L1552X			TRUMPF® NOZZLE Ø 1.2 CP	
L1553X			TRUMPF® NOZZLE Ø 1.4 CP	
L1554X			TRUMPF® NOZZLE Ø 1.7 CP	
L1555X			TRUMPF® NOZZLE Ø 2.0 CP	
L1556X			TRUMPF® NOZZLE Ø 2.3 CP	
L1557X			TRUMPF® NOZZLE Ø 2.7 CP	

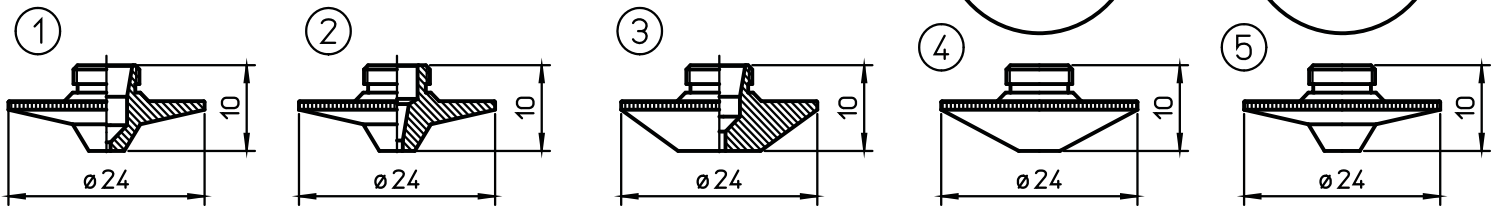
TOLL FREE 888.558.1504 (USA and Canada) T. 724.352.1504 F. 724.352.4980 WWW.II-VIINFRARED.COM

All original equipment manufacturer's names, drawings, colors, trademarks and part numbers are used for identification purposes only and we are in no way implying that any of our products are original equipment parts. All parts advertised for sale in this catalog are made for and/or by II-VI Incorporated.





POS	II-VI P/N	OEM P/N	DESCRIPTION
1	L18XH	352280	TRUMPF® NOZZLE Ø 0.8 SPECIAL CP
	L3018XH	352280	TRUMPF® NOZZLE Ø 0.8 SPECIAL CP
	L19XH	352281	TRUMPF® NOZZLE Ø 1.0 SPECIAL CP
	L3019XH	352281	TRUMPF® NOZZLE Ø 1.0 SPECIAL CP
	L361XH	352282	TRUMPF® NOZZLE Ø 1.2 SPECIAL CP
	L30361XH	352282	TRUMPF® NOZZLE Ø 1.2 SPECIAL CP
2	L20XH	352283	TRUMPF® NOZZLE Ø 1.4 HD SPECIAL CP
	L3020XH	352283	TRUMPF® NOZZLE Ø 1.4 HD SPECIAL CP
3	L258XH		TRUMPF® NOZZLE Ø 1.4 HD SPECIAL CP
	L30258XH		TRUMPF® NOZZLE Ø 1.4 HD SPECIAL CP
	L21XH	352284	TRUMPF® NOZZLE Ø 1.7 HD SPECIAL CP
	L3021XH	352284	TRUMPF® NOZZLE Ø 1.7 HD SPECIAL CP
	L168XH	352287	TRUMPF® NOZZLE Ø 2.0 HD SPECIAL CP
	L30168XH	237502	TRUMPF® NOZZLE Ø 2.0 HD SPECIAL CP
	L76XH	352285	TRUMPF® NOZZLE Ø 2.3 HD SPECIAL CP
	L3076XH	352285	TRUMPF® NOZZLE Ø 2.3 HD SPECIAL CP
	L185XH		TRUMPF® NOZZLE Ø 2.5 HD SPECIAL CP
	L30185XH		TRUMPF® NOZZLE Ø 2.5 HD SPECIAL CP
	L360XH	352286	TRUMPF® NOZZLE Ø 2.7 HD SPECIAL CP
	L30360XH	352286	TRUMPF® NOZZLE Ø 2.7 HD SPECIAL CP
	L396XH		TRUMPF® NOZZLE Ø 3.0 HD SPECIAL CP
	L30396XH		TRUMPF® NOZZLE Ø 3.0 HD SPECIAL CP



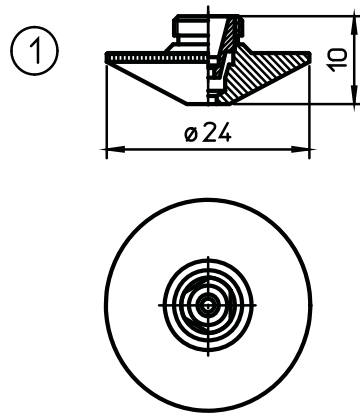
TOLL FREE 888.558.1504 (USA and Canada) T. 724.352.1504 F. 724.352.4980 WWW.IIVIINFRARED.COM



POS	II-VI P/N	OEM P/N	DESCRIPTION
1	L2	215780	TRUMPF® NOZZLE Ø 0.8
	L3002	215780	TRUMPF® NOZZLE Ø 0.8
	L11	087658	TRUMPF® NOZZLE Ø 1.0
	L3011	087658	TRUMPF® NOZZLE Ø 1.0
	L2X	215780	TRUMPF® NOZZLE Ø 0.8 CP
	L3002X	215780	TRUMPF® NOZZLE Ø 0.8 C.P.
	L11X	087658	TRUMPF® NOZZLE Ø 1.0 CP
	L3011X	087658	TRUMPF® NOZZLE Ø 1.0 CP
2	L1	088894	TRUMPF® NOZZLE Ø 1.4 HD
	L3001	088894	TRUMPF® NOZZLE Ø 1.4 HD
	L12	217867	TRUMPF® NOZZLE Ø 1.7 HD
	L3012	217867	TRUMPF® NOZZLE Ø 1.7 HD
3	L798		TRUMPF® NOZZLE Ø 1.0
	L30798		TRUMPF® NOZZLE Ø 1.0
	L13	088893	TRUMPF® NOZZLE Ø 1.5
	L3013	088893	TRUMPF® NOZZLE Ø 1.5
	L68	221781	TRUMPF® NOZZLE Ø 2.0
	L3068	221781	TRUMPF® NOZZLE Ø 2.0
	L230	235592	TRUMPF® NOZZLE Ø 3.0
	L30230	235592	TRUMPF® NOZZLE Ø 3.0
4	L495	237872	TRUMPF® SHOWER NOZZLE Ø 0.8
	L30495	237872	TRUMPF® SHOWER NOZZLE Ø 0.8
5	L496	217976	TRUMPF® SHOWER NOZZLE Ø 0.8
	L30496	217976	TRUMPF® SHOWER NOZZLE Ø 0.8



SPECIAL NOZZLES

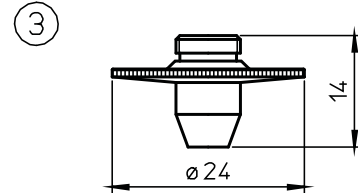
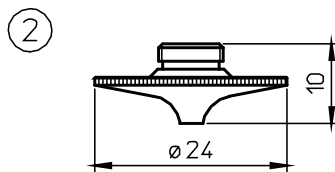
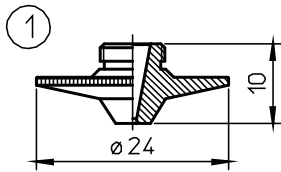




POS	II-VI P/N	OEM P/N	DESCRIPTION	
1	L640		TRUMPF® DOUBLE NOZZLE Ø 0.8	
	L30640		TRUMPF® DOUBLE NOZZLE Ø 0.8	
	L641		TRUMPF® DOUBLE NOZZLE Ø 1.0	
	L30641		TRUMPF® DOUBLE NOZZLE Ø 1.0	
	L648		TRUMPF® DOUBLE NOZZLE Ø 1.2	
	L30648		TRUMPF® DOUBLE NOZZLE Ø 1.2	
	L642		TRUMPF® DOUBLE NOZZLE Ø 1.4	
	L30642		TRUMPF® DOUBLE NOZZLE Ø 1.4	
	L643		TRUMPF® DOUBLE NOZZLE Ø 1.7	
	L30643		TRUMPF® DOUBLE NOZZLE Ø 1.7	
	L644		TRUMPF® DOUBLE NOZZLE Ø 2.0	
	L30644		TRUMPF® DOUBLE NOZZLE Ø 2.0	
	L645		TRUMPF® DOUBLE NOZZLE Ø 2.3	
	L30645		TRUMPF® DOUBLE NOZZLE Ø 2.3	
	L646		TRUMPF® DOUBLE NOZZLE Ø 2.7	
	L30646		TRUMPF® DOUBLE NOZZLE Ø 2.7	
	L647		TRUMPF® DOUBLE NOZZLE Ø 3.0	
	L30647		TRUMPF® DOUBLE NOZZLE Ø 3.0	
	L649		TRUMPF® DOUBLE NOZZLE Ø 4.0	
	L30649		TRUMPF® DOUBLE NOZZLE Ø 4.0	
	L640X			TRUMPF® DOUBLE NOZZLE Ø 0.8 CP
	L30640X			TRUMPF® DOUBLE NOZZLE Ø 0.8 CP
	L641X			TRUMPF® DOUBLE NOZZLE Ø 1.0 CP
	L30641X			TRUMPF® DOUBLE NOZZLE Ø 1.0 CP
	L648X			TRUMPF® DOUBLE NOZZLE Ø 1.2 CP
	L30648X			TRUMPF® DOUBLE NOZZLE Ø 1.2 CP
	L642X			TRUMPF® DOUBLE NOZZLE Ø 1.4 CP
	L30642X			TRUMPF® DOUBLE NOZZLE Ø 1.4 CP
	L643X			TRUMPF® DOUBLE NOZZLE Ø 1.7 CP
	L30643X			TRUMPF® DOUBLE NOZZLE Ø 1.7 CP
	L644X			TRUMPF® DOUBLE NOZZLE Ø 2.0 CP
	L30644X			TRUMPF® DOUBLE NOZZLE Ø 2.0 CP
	L645X			TRUMPF® DOUBLE NOZZLE Ø 2.3 CP
	L30645X			TRUMPF® DOUBLE NOZZLE Ø 2.3 CP
	L646X			TRUMPF® DOUBLE NOZZLE Ø 2.7 CP
	L30646X			TRUMPF® DOUBLE NOZZLE Ø 2.7 CP
	L647X			TRUMPF® DOUBLE NOZZLE Ø 3.0 CP
	L30647X			TRUMPF® DOUBLE NOZZLE Ø 3.0 CP
	L649X			TRUMPF® DOUBLE NOZZLE Ø 4.0 CP
	L30649X			TRUMPF® DOUBLE NOZZLE Ø 4.0 CP

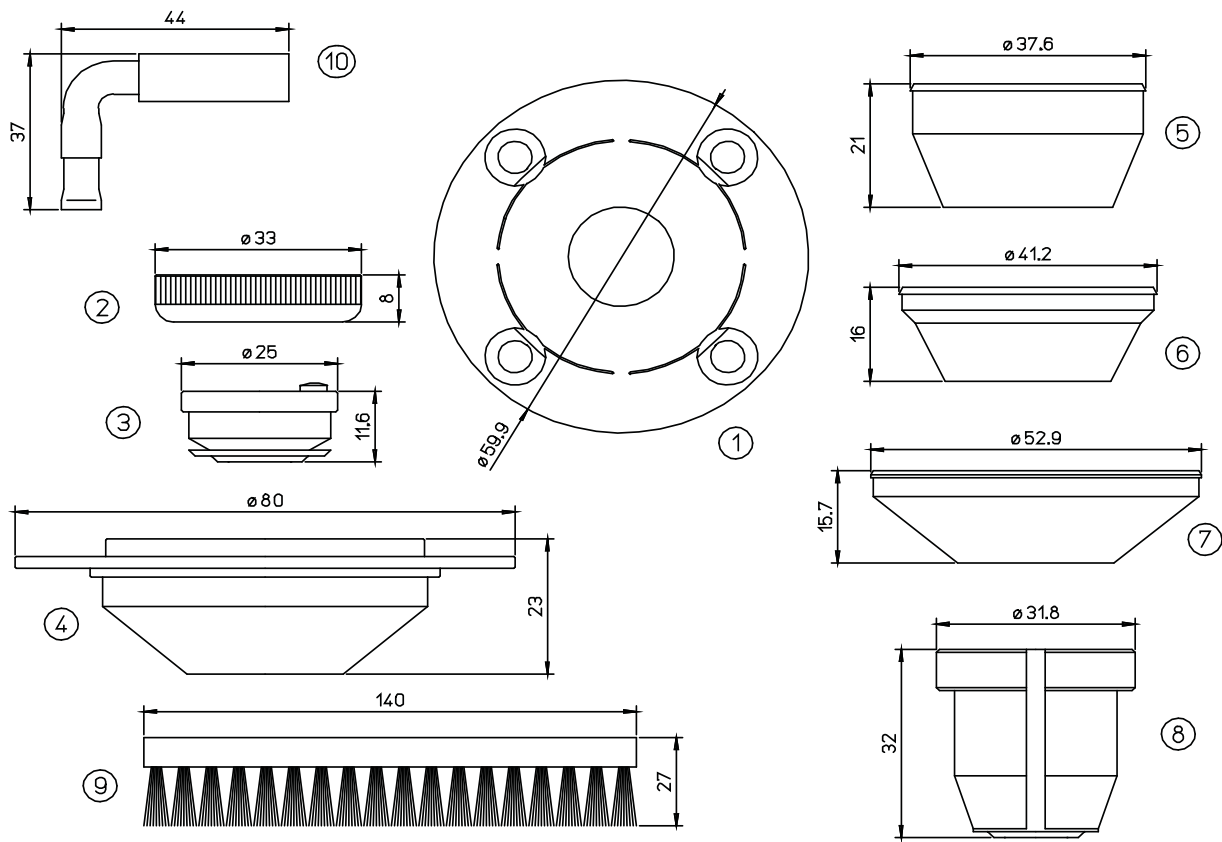
TOLL FREE 888.558.1504 (USA and Canada) T. 724.352.1504 F. 724.352.4980 WWW.II-VIINFRARED.COM

All original equipment manufacturer's names, drawings, colors, trademarks and part numbers are used for identification purposes only and we are in no way implying that any of our products are original equipment parts. All parts advertised for sale in this catalog are made for and/or by II-VI Incorporated.



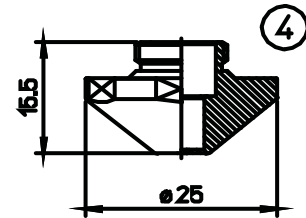
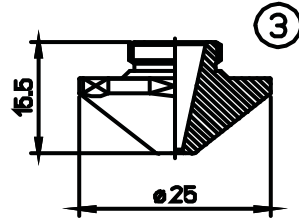
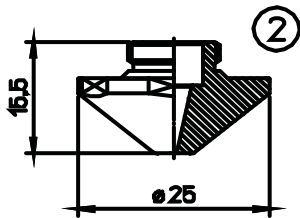
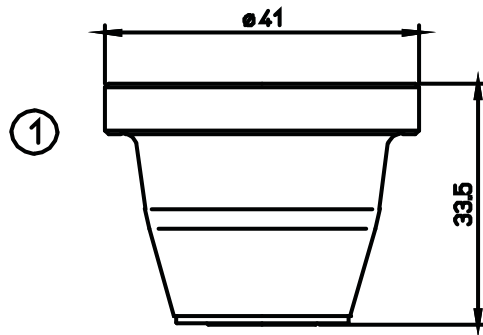


POS	II-VI P/N	OEM P/N	DESCRIPTION
1	L226		TRUMPF® NOZZLE Ø 0.8 HD
	L30226		TRUMPF® NOZZLE Ø 0.8 HD
	L181		TRUMPF® NOZZLE Ø 1.0 HD
	L30181		TRUMPF® NOZZLE Ø 1.0 HD
	L182		TRUMPF® NOZZLE Ø 1.4 HD
	L30182		TRUMPF® NOZZLE Ø 1.4 HD
	L227		TRUMPF® NOZZLE Ø 1.7 HD
	L30227		TRUMPF® NOZZLE Ø 1.7 HD
	L313		TRUMPF® NOZZLE Ø 2.3 HD
	L30313		TRUMPF® NOZZLE Ø 2.3 HD
2	L720		TRUMPF® SPECIAL NOZZLE Ø 2.3 HD
	L30720		TRUMPF® SPECIAL NOZZLE Ø 2.3 HD
	L721		TRUMPF® SPECIAL NOZZLE Ø 2.5 HD
	L30721		TRUMPF® SPECIAL NOZZLE Ø 2.5 HD
	L722		TRUMPF® SPECIAL NOZZLE Ø 2.7 HD
	L30722		TRUMPF® SPECIAL NOZZLE Ø 2.7 HD
	L1034X		TRUMPF® SPECIAL NOZZLE Ø 1.4 HD CP
	L301034X		TRUMPF® SPECIAL NOZZLE Ø 1.4 HD CP
	L1035X		TRUMPF® SPECIAL NOZZLE Ø 1.7 HD CP
	L301035X		TRUMPF® SPECIAL NOZZLE Ø 1.7 HD CP
	L720X		TRUMPF® SPECIAL NOZZLE Ø 2.3 HD CP
	L30720X		TRUMPF® SPECIAL NOZZLE Ø 2.3 HD CP
	L721X		TRUMPF® SPECIAL NOZZLE Ø 2.5 HD CP
	L30721X		TRUMPF® SPECIAL NOZZLE Ø 2.5 HD CP
	L722X		TRUMPF® SPECIAL NOZZLE Ø 2.7 HD CP
	L30722X		TRUMPF® SPECIAL NOZZLE Ø 2.7 HD CP
	3	L200	
L199			TRUMPF® EXTENDED NOZZLE Ø 1.0
L657			TRUMPF® EXTENDED NOZZLE Ø 1.2
L658			TRUMPF® EXTENDED NOZZLE Ø 1.4
L670			TRUMPF® EXTENDED NOZZLE Ø 1.6
L659			TRUMPF® EXTENDED NOZZLE Ø 1.7



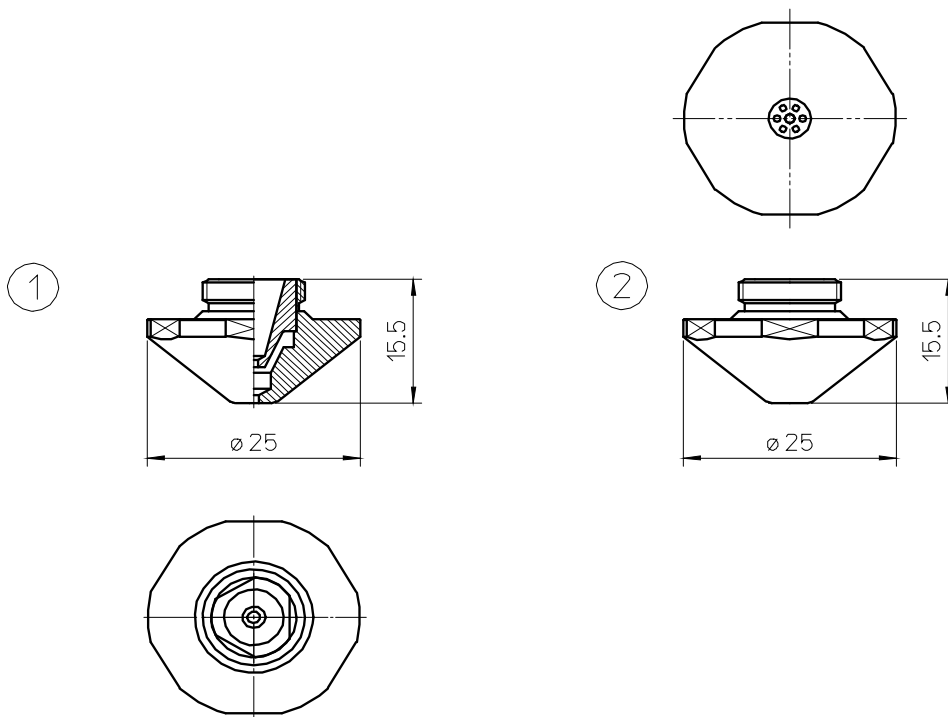


POS	II-VI P/N	OEM P/N	DESCRIPTION
1	AL70	234485	TRUMPF® BREAK-AWAY
2	AL250	216066	TRUMPF® SIGNBOARD
3	AL400	258809	TRUMPF® ORIG. NOZZLE HOLDER
	AL38	258809-243839-247894	TRUMPF® CERAMIC NOZZLE HOLDER
4	AL19	216065	TRUMPF® PTFE COVER
5	AL47	256153-955826	TRUMPF® PTFE COVER - WHITE
	AL347	256153-955826	TRUMPF® COVER - BLACK
6	AL36	254496	TRUMPF® PTFE COVER
7	AL41	225286	TRUMPF® PTFE COVER
8	AL108	254493-260432	TRUMPF® CERAMIC NOZZLE HOLDER .
9	AL272	0353202 - 900594	TRUMPF® BRUSH - TASTER
10	088557	088557	TRUMPF® NOZZLE 90°



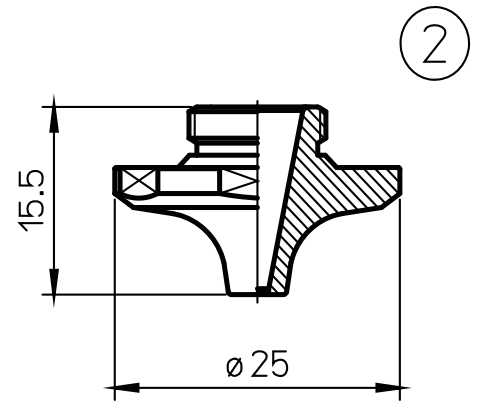
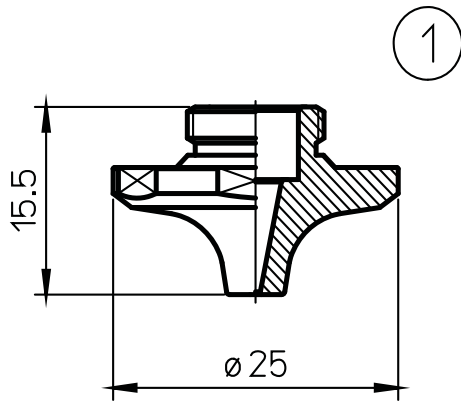


POS	II-VI P/N	OEM P/N	DESCRIPTION
1	AL405	1349171	TRUMPF® CERAMIC NOZZLE HOLDER
2	L1270	1324858	TRUMPF® NOZZLE Ø 0.8
	L501270	1324858	TRUMPF® NOZZLE Ø 0.8
	L1272	1324860	TRUMPF® NOZZLE Ø 1.0
	L501272	1324860	TRUMPF® NOZZLE Ø 1.0
	L1273	1324861	TRUMPF® NOZZLE Ø 1.2
	L501273	1324861	TRUMPF® NOZZLE Ø 1.2
	L1275	1324863	TRUMPF® NOZZLE Ø 1.4
	L501275	1324863	TRUMPF® NOZZLE Ø 1.4
	L1276	1324864	TRUMPF® NOZZLE Ø 1.7
	L501276	1324864	TRUMPF® NOZZLE Ø 1.7
	L1270XH		TRUMPF® NOZZLE Ø 0.8 SPECIAL CP
	L501270XH		TRUMPF® NOZZLE Ø 0.8 SPECIAL CP
	L1272XH		TRUMPF® NOZZLE Ø 1.0 SPECIAL CP
	L501272XH		TRUMPF® NOZZLE Ø 1.0 SPECIAL CP
	L1273XH		TRUMPF® NOZZLE Ø 1.2 SPECIAL CP
	L501273XH		TRUMPF® NOZZLE Ø 1.2 SPECIAL CP
	L1275XH		TRUMPF® NOZZLE Ø 1.4 SPECIAL CP
	L501275XH		TRUMPF® NOZZLE Ø 1.4 SPECIAL CP
	L1276XH		TRUMPF® NOZZLE Ø 1.7 SPECIAL CP
	L501276XH		TRUMPF® NOZZLE Ø 1.7 SPECIAL CP
3	L1277	1324865	TRUMPF® NOZZLE Ø 2.0
	L501277	1324865	TRUMPF® NOZZLE Ø 2.0
	L1278	1324866	TRUMPF® NOZZLE Ø 2.3
	L501278	1324866	TRUMPF® NOZZLE Ø 2.3
	L1279	1324867	TRUMPF® NOZZLE Ø 2.7
	L501279	1324867	TRUMPF® NOZZLE Ø 2.7
	L1277XH		TRUMPF® NOZZLE Ø 2.0 SPECIAL CP
	L501277XH		TRUMPF® NOZZLE Ø 2.0 SPECIAL CP
	L1278XH		TRUMPF® NOZZLE Ø 2.3 SPECIAL CP
	L501278XH		TRUMPF® NOZZLE Ø 2.3 SPECIAL CP
	L1279XH		TRUMPF® NOZZLE Ø 2.7 SPECIAL CP
	L501279XH		TRUMPF® NOZZLE Ø 2.7 SPECIAL CP
4	L1260	1637264	TRUMPF® NOZZLE ZAA-01



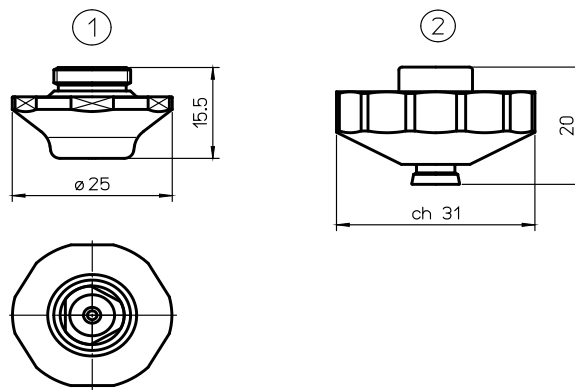


POS	II-VI P/N	OEM P/N	DESCRIPTION
1	L1308		TRUMPF® DOUBLE NOZZLE Ø 0.8
	L501308		TRUMPF® DOUBLE NOZZLE Ø 0.8
	L1309		TRUMPF® DOUBLE NOZZLE Ø 1.0
	L501309		TRUMPF® DOUBLE NOZZLE Ø 1.0
	L1310		TRUMPF® DOUBLE NOZZLE Ø 1.2
	L501310		TRUMPF® DOUBLE NOZZLE Ø 1.2
	L1311		TRUMPF® DOUBLE NOZZLE Ø 1.4
	L501311		TRUMPF® DOUBLE NOZZLE Ø 1.4
	L1312		TRUMPF® DOUBLE NOZZLE Ø 1.7
	L501312		TRUMPF® DOUBLE NOZZLE Ø 1.7
	L1308XH		TRUMPF® DOUBLE NOZZLE Ø 0.8 SPECIAL CP
	L501308XH		TRUMPF® DOUBLE NOZZLE Ø 0.8 SPECIAL CP
	L1309XH		TRUMPF® DOUBLE NOZZLE Ø 1.0 SPECIAL CP
	L501309XH		TRUMPF® DOUBLE NOZZLE Ø 1.0 SPECIAL CP
	L1310XH		TRUMPF® DOUBLE NOZZLE Ø 1.2 SPECIAL CP
	L501310XH		TRUMPF® DOUBLE NOZZLE Ø 1.2 SPECIAL CP
	L1311XH		TRUMPF® DOUBLE NOZZLE Ø 1.4 SPECIAL CP
	L501311XH		TRUMPF® DOUBLE NOZZLE Ø 1.4 SPECIAL CP
	L1312XH		TRUMPF® DOUBLE NOZZLE Ø 1.7 SPECIAL CP
	L501312XH		TRUMPF® DOUBLE NOZZLE Ø 1.7 SPECIAL CP
	L1313		TRUMPF® DOUBLE NOZZLE Ø 2.0
	L501313		TRUMPF® DOUBLE NOZZLE Ø 2.0
	L1314		TRUMPF® DOUBLE NOZZLE Ø 2.3
	L501314		TRUMPF® DOUBLE NOZZLE Ø 2.3
	L1315		TRUMPF® DOUBLE NOZZLE Ø 2.7
	L501315		TRUMPF® DOUBLE NOZZLE Ø 2.7
	L1313XH		TRUMPF® DOUBLE NOZZLE Ø 2.0 SPECIAL CP
L501313XH		TRUMPF® DOUBLE NOZZLE Ø 2.0 SPECIAL CP	
L1314XH		TRUMPF® DOUBLE NOZZLE Ø 2.3 SPECIAL CP	
L501314XH		TRUMPF® DOUBLE NOZZLE Ø 2.3 SPECIAL CP	
L1315XH		TRUMPF® DOUBLE NOZZLE Ø 2.7 SPECIAL CP	
L501315XH		TRUMPF® DOUBLE NOZZLE Ø 2.7 SPECIAL CP	
2	L1281		TRUMPF® SHOWER NOZZLE Ø 1.2
	L501281		TRUMPF® SHOWER NOZZLE Ø 1.2



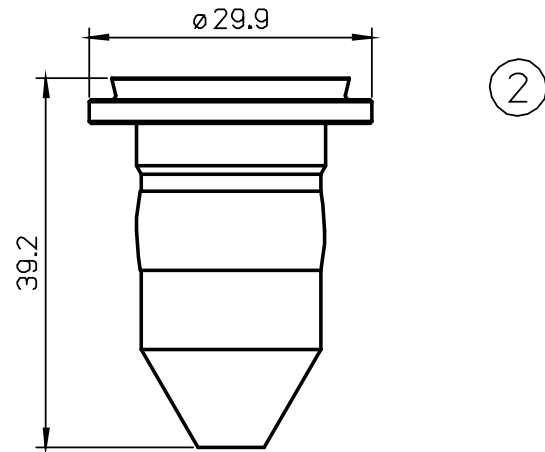
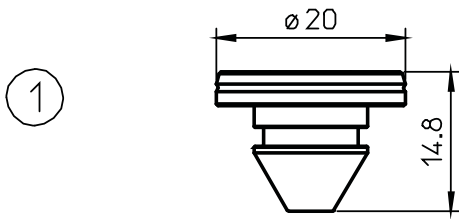


POS	II-VI P/N	OEM P/N	DESCRIPTION
2	L1500	1373324	TRUMPF® NOZZLE Ø 0.8 EAB
	L501500	1373324	TRUMPF® NOZZLE Ø 0.8 EAB
1	L1501	1373325	TRUMPF® NOZZLE Ø 1.0 EAB
	L501501	1373325	TRUMPF® NOZZLE Ø 1.0 EAB
	L1502	1373326	TRUMPF® NOZZLE Ø 1.2 EAB
	L501502	1373326	TRUMPF® NOZZLE Ø 1.2 EAB
	L1503	1373327	TRUMPF® NOZZLE Ø 1.4 EAB
	L501503	1373327	TRUMPF® NOZZLE Ø 1.4 EAB
	L1504	1373328	TRUMPF® NOZZLE Ø 1.7 EAB
	L501504	1373328	TRUMPF® NOZZLE Ø 1.7 EAB
2	L1505	1373329	TRUMPF® NOZZLE Ø 2.0 EAB
	L501505	1373329	TRUMPF® NOZZLE Ø 2.0 EAB
	L1506	1373330	TRUMPF® NOZZLE Ø 2.3 EAB
	L501506	1373330	TRUMPF® NOZZLE Ø 2.3 EAB
	L1507	1373331	TRUMPF® NOZZLE Ø 2.7 EAB
	L501507	1373331	TRUMPF® NOZZLE Ø 2.7 EAB



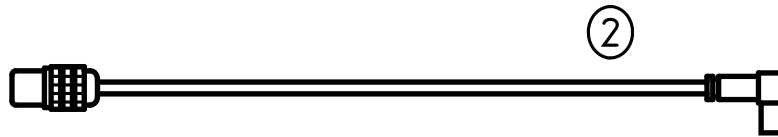


POS	II-VI P/N	OEM P/N	DESCRIPTION
1	L1885	1809091	TRUMPF® DOUBLE NOZZLE Ø 6.2 EAQ
	L1886	1809421	TRUMPF® DOUBLE NOZZLE Ø 7.5 EAQ
	L1887	1886199	TRUMPF® DOUBLE NOZZLE Ø 9.5 EAQ
2	L1800	1774018	TRUMPF® NOZZLE EFL D1,4
	L1801	1838745	TRUMPF® NOZZLE EFL D1,7
	L1802	1774020	TRUMPF® NOZZLE EFL D2,0
	L1083	1774092	TRUMPF® NOZZLE EFL D2,3





POS	II-VI P/N	OEM P/N	DESCRIPTION
1	L5	202952	TRUMPF® NOZZLE Ø 0.8
	L34	218969	TRUMPF® NOZZLE Ø 1.0
	L35	209402	TRUMPF® NOZZLE Ø 1.4 HD
	L36	217953	TRUMPF® NOZZLE Ø 1.7 HD
2	L217	060653	TRUMPF® NOZZLE Ø 0.8
	L218	060653	TRUMPF® NOZZLE Ø 1.0
	L219	060653	TRUMPF® NOZZLE Ø 1.4





POS	II-VI P/N	OEM P/N	DESCRIPTION
2	351086	0351086-S0492-001-00000	TRUMPF® - ORIG. ELECTRODE CABLE PRECITEC® KE 130 gw/TT



FOR ALL OF YOUR REPLACEMENT OPTIC NEEDS

CO₂ LASER OPTICS/CONSUMABLE PRODUCTS
 CO₂ LASER CONSUMABLES
 NOZZLES & ACCESSORIES
 TRUMPF CUT LENSES
 MP-5 ULTRA-LOW ABSORPTION LENSES
 ASPHERIC LENSES
 MENISCUS LENSES
 PLANO-CONVEX LENSES
 CYLINDER LENSES
 MIRRORS
 SCANNING LASER SYSTEM OPTICS
 BEAM COMBINERS
 BEAM EXPANDERS
 BEAMSPLITTERS
 COLLIMATING OPTICS
 DIAMOND-TURNED SPECIALTY OPTICS
 REFLECTIVE PHASE RETARDERS
 PRISMS & RHOMBS
 MODULATORS
 WAVEPLATES
 THIN-FILM POLARIZERS
 POLARIZER-ANALYZER-ATTENUATOR

RESONATOR OPTICS
 OUTPUT COUPLERS
 REAR MIRRORS
 BAND-SELECTIVE OPTICS
 AR-COATED WINDOWS
 BREWSTER WINDOWS
 PROTECTIVE WINDOWS
 LENS STRESS ANALYZER(LSA)
 1 MICRON OPTICS
 1 MICRON OPTICAL COMPONENTS
 1 MICRON DEBRIS SHIELDS
 1 MICRON HPDDL BEAM INTEGRATORS
 1 MICRON OPTICAL COATINGS
 1 MICRON MATERIALS
 OPTICAL MATERIALS
 ZINC SELENIDE (ZNSE)
 ZINC SULFIDE (ZNS)
 ZINC SULFIDE MULTISPECTRAL (ZNS MS)
 GERMANIUM (GE)
 GALLIUM ARSENIDE (GAAS)
 MATERIAL BLANKS
 CVD DIAMOND SUBSTRATES
 IR THERMAL IMAGING OPTICS



TOLL FREE 888.558.1504 (USA and Canada) T. 724.352.1504 F. 724.352.4980 WWW.II-VIINFRARED.COM



WORLDWIDE SALES OFFICES

To place an order, contact a II-VI sales representative at any of the following locations, or visit www.iiviiinfrared.com/contact for our most complete and up-to-date contact information.

**II-VI INFRARED**

375 SAXONBURG BLVD
SAXONBURG, PA 16056
UNITED STATES
888-558-1504 (Toll free in USA)
T. 724-352-1504
F. 724-352-4980
info@iiviiinfrared.com

II-VI WEST

36570 BRIGGS ROAD
MURRIETA, CA 92563
USA
800.262.5273 (Toll free in USA)
T. 951.926.7640
F. 951.926.8218
info@iiviiinfrared.com

II-VI BENELUX N.V.

BAAIKENSSTRAAT 21/2
B-9240 ZELE
BELGIUM
T. 32 (0) 52 45 86 10
F. 32 (0) 52 45 86 11
sales@ii-vi.be

II-VI DEUTSCHLAND GmbH

BRUNNENWEG 19-21
D-64331 WEITERSTADT
GERMANY
T. 49 6150 54 39-226
F. 49 6150 54 39-200
ir.Info.de@ii-vi.com

II-VI ITALIA S.r.l.

VIA ANDREA COSTA
31-20131 MILANO
ITALY
T. 39 02 2828740
F. 39 02 26149131
ir.info.it@ii-vi.com

II-VI SUISSE S.a.r.l.

MOULIN-DU-CHOC
1122 ROMANEL-SUR-MORGES
SWITZERLAND
T. 41 2186 902 52
F. 41 2186 993 08
info@ii-vi.ch

II-VI UK LTD.

UNIT 20B, OAKHAM ENTERPRISE
PARK, ASHWELL ROAD, OAKHAM,
RUTLAND, LE15 7TU
UNITED KINGDOM
T. 44 1572 771 778
F. 44 1572 771 779
sales@ii-vi.co.uk

II-VI JAPAN

WBG MARIVE EAST 26F
NAKASE 2-6-1
MIHAMA-KU, CHIBA-SHI
CHIBA 261-7126
JAPAN
T. 81 43297 2693
F. 81 43297 3003
center@ii-vi.co.jp

II-VI SINGAPORE PTE. LTD.

BLK. 5012, TECHPLACE II
#04-07 & 05-07/12,
ANG MO KIO AVE. 5
SINGAPORE 569876
T. 65 6481 8215
F. 65 6481 8702
ir.sales.sg@ii-vi.com

II-VI INFRARED LASER(SUZHOU)

BLOCK D#01-01/02
NO. 5 XING HAN STREET
SUZHOU INDUSTRIAL PARK
SUZHOU, CHINA 215101
T. 86 512 6761 9295
F. 86 512 6767 1207
infosz@ii-vi.com.cn

II-VI KOREA

WEST 1502 HANSHIN INTERVALLEY
322 TEHERAN-RO
SEOUL, KOREA 06211
T. 82 2 6242 2626
F. 82 2 6242 2627
jchoi@ii-vi.com

II-VI TAIWAN

8FL, 285 SEC 2 TIDING BLVD.
TAIPEI 114, TAIWAN
REPUBLIC OF CHINA
T. 886 2 87512155
F. 886 2 26582276
ir.sales.tw@ii-vi.com