



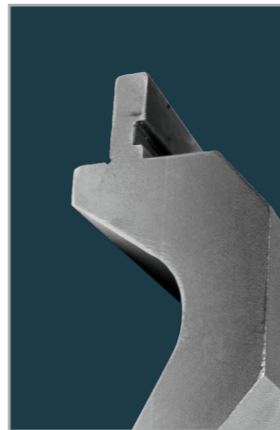
EASY PRESS 2.0





TECHNICAL DATA

EASY PRESS Rolleri is a manual pressbrake that doesn't have special placement needs or particular connection to fixed systems. Thanks to these features it is a really versatile machine.

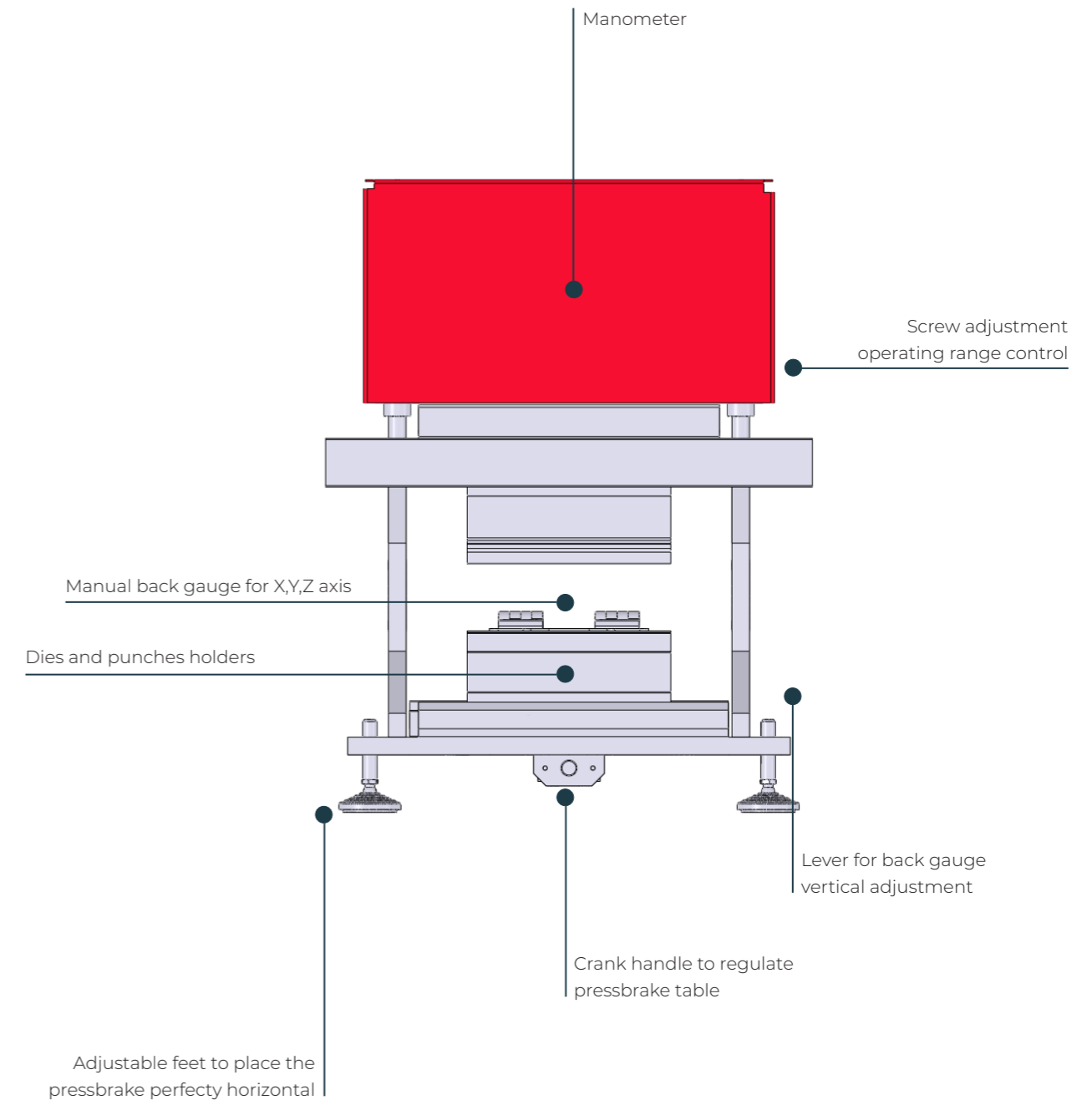


* COMPATIBILITY TOOLS ROLLERI TYPE **R1**

- ACL
- Accurpress
- Amada
- Atlantic
- Adira
- Baykal
- BL
- Boschert
- Boutillon
- Bystronic Beyeler
- Euro-B
- Coastone
- Colgar
- Dener
- Deratech
- Durmazlar
- Ermaksan
- Farina
- Gade
- Gasparini
- Gecko
- Gilardi
- Gizelis
- Haco
- Hindustan
- HPM
- Iturrospe
- Jfy
- JMT
- LFK
- Metfab
- MVD
- Oriance
- Prima Power
- Promecam
- Rico
- Salvagnini
- Schiavi
- SMD
- Sorg
- Somo
- Vicla
- Vimercati
- Warcom
- Yawei
- etc.

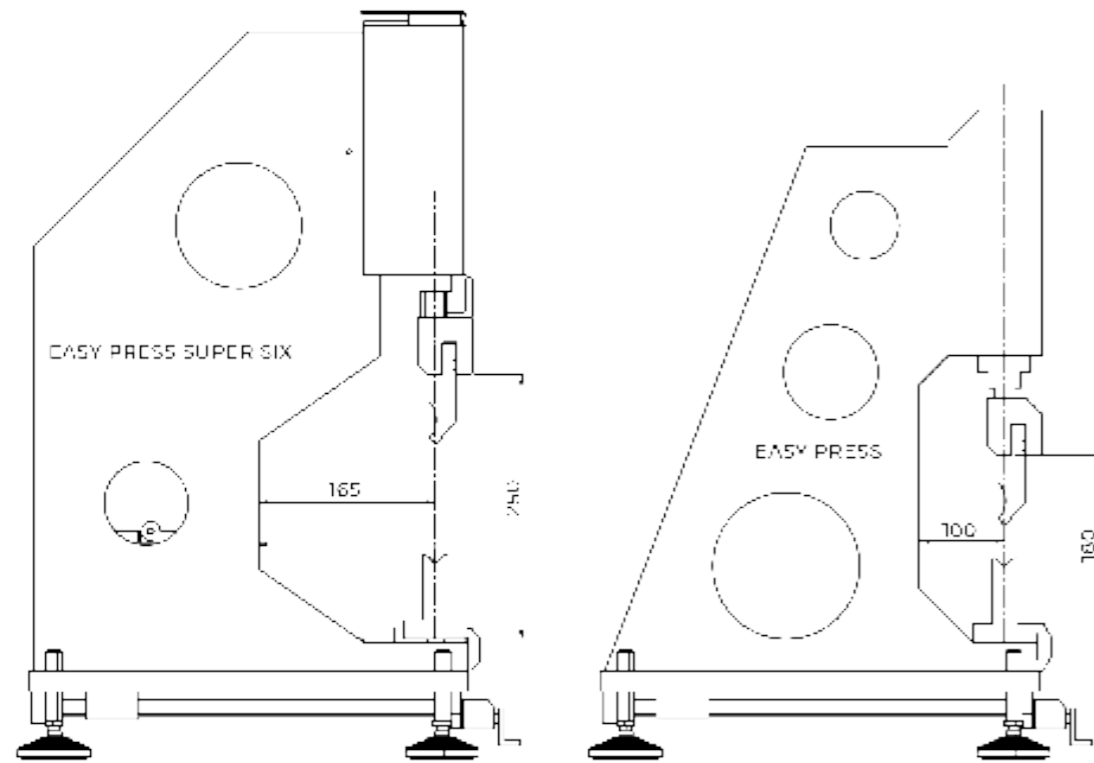
	STANDARD	SUPER SIX
Weight without tools	111 Kg	120 Kg
Bending Force	Max 6,5 Ton	Max 6,5 Ton
Bending Length	Max 415 mm	Max 415 mm
Depth recess	100 mm	165 mm
Ram operating range	Max 110 mm	Max 110 mm
Distance between Ram and Table	Max 180 mm	Max 250 mm
Back gauge moving range	Max 200 mm	Max 200 mm
Standard tools	Rolleri R1 *	Rolleri R1 *
Promecam tang with base of	60 mm	60 mm
Operating control	- With manual lever - With pedal optional	- With manual lever - With pedal optional

COMPONENTS





DIMENSIONS



MAINTENANCE

Easy Press rollery requires just a few maintenance intervention, being manual and without electrical system.

Monthly maintenance:

- Check oil level in the pump tank on the right side. In case of low level fill up with specific oil for hydraulic systems
- Check screws and drive units to verify any mechanical damage.



WWW.ROLLERITOOOLS.COM



Rolleri S.p.A.

Via Artigiani · Loc. Cabina · 29020

Vigolzone (PC) · Italy

Tel. +39 0523 870905

Fax +39 0523 879030

E-Mail sales@rolleri.it

Web www.rolleritools.com